

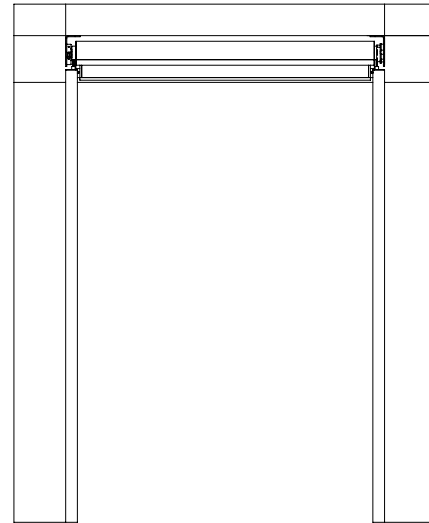
Zen Roll

Open roll outdoor motorized shades

Features

- Zen transforms your outdoor space and extends your seating capacity with a sealed enclosure keeping bugs away
- Built in obstruction detection stops and reverses your Zen shade preventing damage or injury.
- Ultra-quiet operation
- Programmable limits. Fine tunable using a remote, through your control system, or the app, depending on configuration
- Control the wind with our stainless steel cable guide system
- Shy-Zip™ side channels are compatible with open roll and pocket installations.
- Shades move in unison, with speeds programmable through integration
- Expansive textile / fabric options with UV blocking Sunscreen, Light Filtering, Privacy and Black-out available. Most commercial grade fabrics carry NFPA 701-10 California Title 19, ASTM E2180, ASTM G21 Bacterial & Fungal Resistance and some carry various Acoustical Ratings for sound absorption. Custom fabric options available
- Power failure memory for the life of the shade
- Available in Wired for 485 using Janus or SiFi, and wirefree Control using RTS

Note: Fabric selection may limit the size of the shade, or force cassette size to the next size up; use the SI Flow Tool and SI Design Services with help determining shade size and fabric selection compatibility.



Zen Roll Specifications

For illustration purposes only; not a system specification drawing

Colors

End caps are available in 9 standard powder coat colors for the ultimate in finish durability

Sizes

See the Chart for sizes as per Mounting options on next page.

Methods of Control

Wired Integration and control

- IP control for all popular control systems - 485
- Serial 232
- Contact closure (global and local)

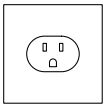
Technical Specifications

Power

- Low Voltage Power, with operating voltage: (class 2, 24-28vdc)
- Power supply features over/under-voltage, over/under current, and thermal protection for all devices in the system
- Electrostatic isolated and galvanic isolation
- Non-volatile memory, meaning programming is protected in the case of a power failure
- Power must be derived from a Screen Innovations supplied power source for all low-voltage and charging

Compatible power sources

Configurable in 110v AC



110v ACRTS
RTS | 485

Environment

Operating temperature range is normal ambient (32 to 110 degrees), and humidity levels up to 90%. Not meant for wet environments

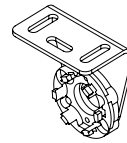
Flexible Configuration

- Create scenes, groups, and set times
- Adjust limits locally
- **ZEN 485 shades** - AMX, BCP, Control4, Crestron SIMPL, Crestron Home*, Dry Contact Closures, Elan, IP, IR, Lutron, Loxone, RS-232, RS-485, RTI, Savant, URC, 0-10v, 12vTrigger

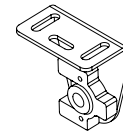
ZEN RTS shades - Alexa, Control4, Crestron SIMPL, Crestron Home*, Dry Contact Closures, Elan, Google Home via IFTTT, Josh.ai*, IP, IR, Lutron, Loxone, RS-232, RS-485, RTI, Savant, URC, 12vTrigger

*-Coming Soon

Mounting Brackets



Motor Bracket



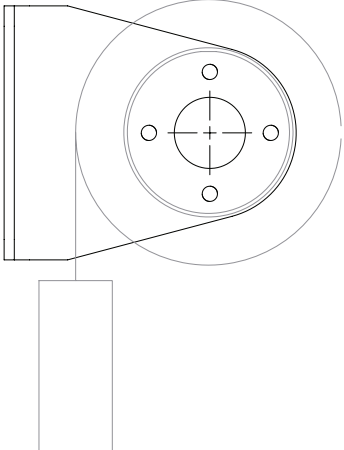
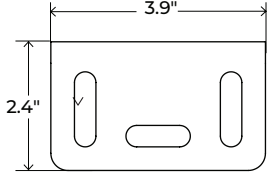
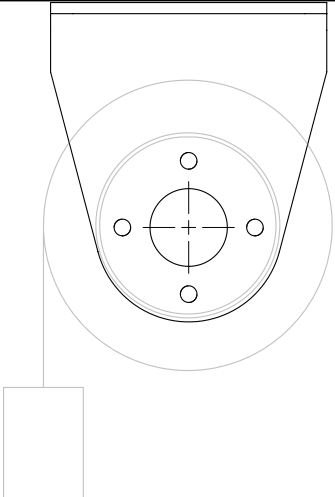
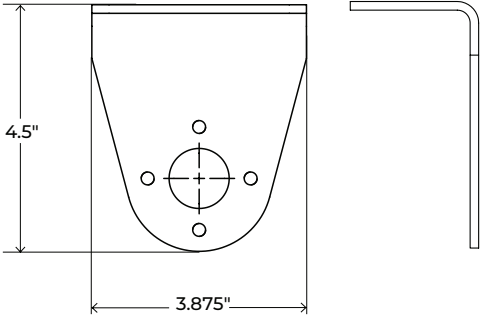
Idler Bracket

System Size

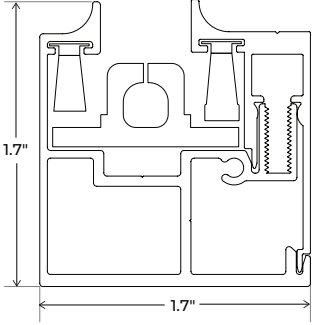

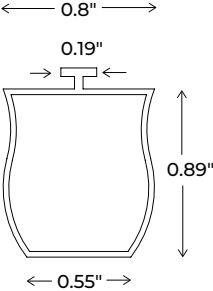
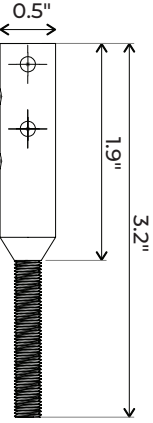
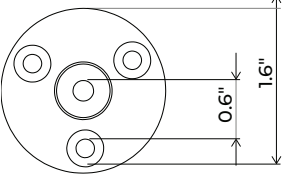
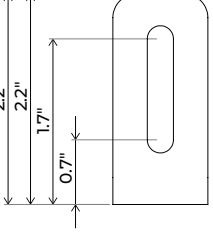
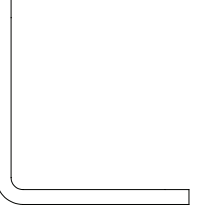
Janus - Each Janus powers up to 8 devices, and up to 255 devices per segment.

RTS - RTS systems can control up to 255 devices using LinkPro Z

Zen Roll Mounts and Bracket Measurements

Wall Mounting	Brackets
	
<p data-bbox="126 932 354 968">Ceiling Mounting</p> 	

Shyzip & Cable Guides Measurements

ShyZip			
			
Spring Track	Bottom Bar	Gasket	
Cable Guides			
			
Tensioner / Terminal Clamp	Floor Mount Bracket	Wall Mount Bracket	
	