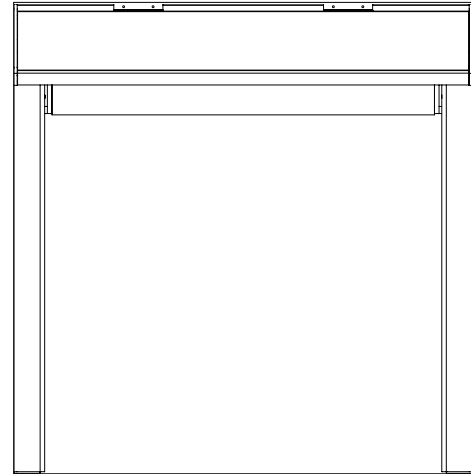


## Zen Box

Enclosed outdoor motorized shading system

### Features

- Zen Shades transform your outdoor space, extending your “indoor” seating through a sealed enclosure system that keeps bugs away and allows for additional temperature controlled space.
- Built in obstruction detection stops and reverses your Zen shade preventing damage or injury
- Motorized and manual options
- Quiet, durable operation using outdoor rated motors and components
- Programmable limits. Fine tunable using a remote, through your control system, depending on configuration
- Shy-Zip™ side channels and zipper system - when bug and pest control is a primary goal
- Cable guide system - where sun control and/or privacy are the primary goals
- Suitable for some light wind control. Available anemometer accessory to automatically open motorized shades in higher winds
- Zen is available in the most popular fabric options on the market, including an expansive list of textile / fabric options featuring UV blocking and resistance technologies for durable, long-lasting outdoor use
- Power failure memory for the life of the shade
- 110v power available in wired control through contact closure, 485, or wire-free control using RTS



### Zen Box Specifications

*For illustration purposes only; not a system specification drawing*

### Colors

Available in 9 textured powder coat colors standard, for the ultimate in finish durability

### Sizes

Available in standard and XL cassette, with sizes up to 23' wide and 16' high

### Methods of Control

Manual

- Crank

Motorized

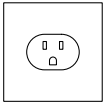
- RTS
- 485
- Contact closure (system and local)

**Note: Fabric selection may limit the size of the shade, or force cassette size to the next size up; use the SI Flow Tool and SI Design Services with help determining shade size and fabric selection compatibility.**

## Technical Specifications

### Compatible power sources

Configurable in 110v AC



110v AC  
RTS | 485

### Environment

Outdoor environments

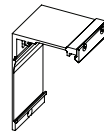
## Flexible Configuration

- Create scenes, groups, and set times
- **ZEN 485 shades** - AMX, BCP, Control4, Crestron SIMPL, Crestron Home\*, Dry Contact Closures, Elan, IP, IR, Lutron, Loxone, RS-232, RS-485, RTI, Savant, URC, 0-10v, 12vTrigger

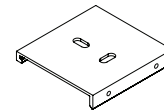
**ZEN RTS shades** - Alexa, Control4, Crestron SIMPL, Crestron Home\*, Dry Contact Closures, Elan, Google Home via IFTTT, Josh.ai\*, IP, IR, Lutron, Loxone, RS-232, RS-485, RTI, Savant, URC, 12vTrigger

\*-Coming Soon

## Bracket Options



Wall Brackets



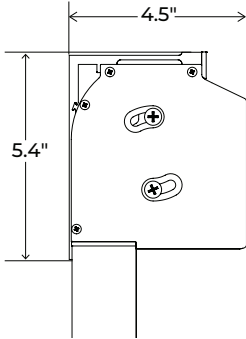
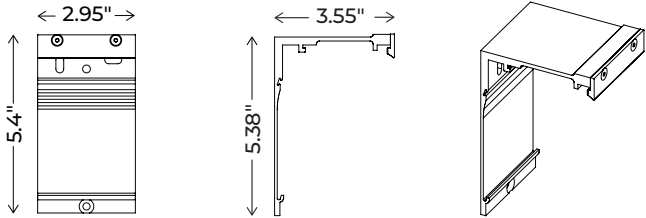
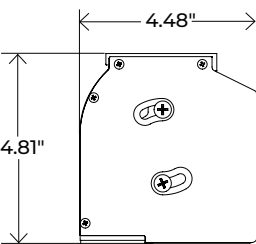
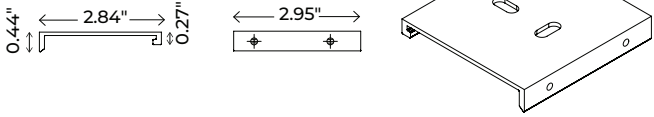
Ceiling Brackets

## System Size

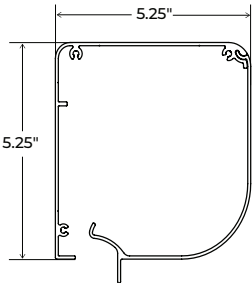
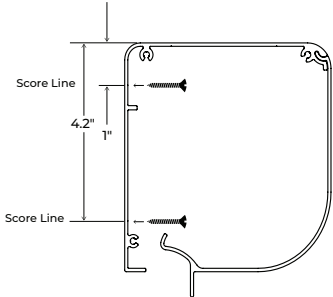
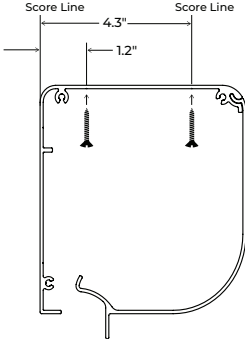
Janus - Each Janus powers up to 8 devices, and up to 255 devices per segment.

RTS - RTS systems can control up to 255 devices using LinkPro Z

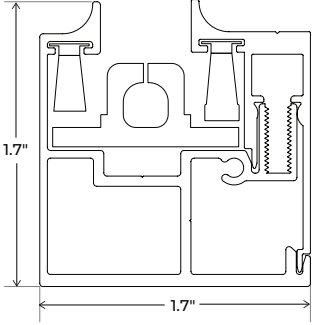

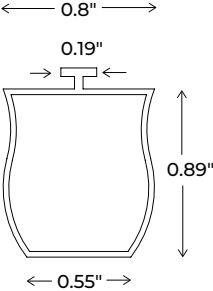
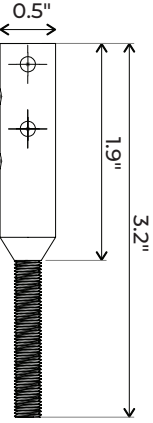
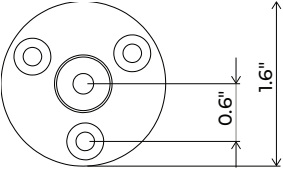
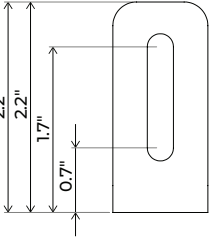
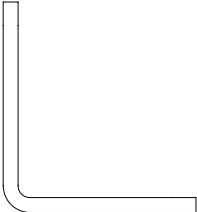
## Zen Box Mounts and Bracket Measurements

Wall Mounting	Wall Brackets
	
Ceiling Mounting	Ceiling Brackets
	

## Zen XL Mounts and Measurements

	Wall Mount	Ceiling Mount
		

## Shyzip & Cable Guides Measurements

ShyZip			
			
Spring Track	Bottom Bar	Gasket	
Cable Guides			
			
Tensioner / Terminal Clamp	Floor Mount Bracket	Wall Mount Bracket	
	