

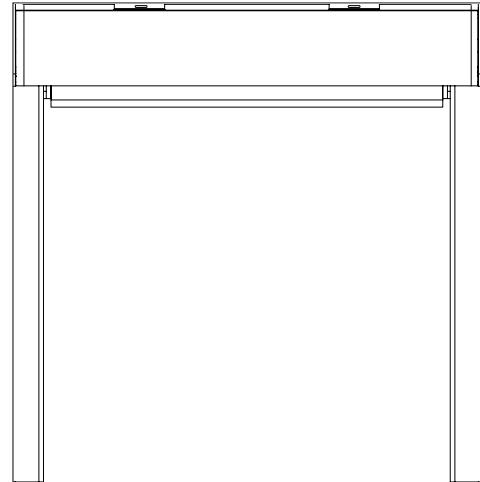
Zen 2

Architectural design outdoor motorized shades

Features

- Zen 2 is the industry's first architecturally design-focused outdoor shading solution, seamlessly blending into today's home designs. Transform your outdoor area into a comfortable, stylish living space.
- Choose between 9 powder coated colors or a custom paintable primed option for a perfect color blend.
- Side channels and zipper tracks - when bug and pest control is the primary goal.
- Cable guide system - where sun control and / or privacy are the primary goals.
- Available in the most popular fabric options on the market, including an expansive list of fabric options featuring UV blocking and resistance technologies for long-lasting outdoor use and mesh for bug control.
- With a unique snap-in tube and hidden bracket attachment, Zen 2 installs in half the time of traditional outdoor shading systems.
- Optional pre-construction channels allow contractors to furr in the track for smooth installation.
- Suitable for light wind control. Optional anemometer accessory will automatically raise motorized shades in higher winds.
- Built in obstruction detection stops and reverses your Zen 2 shade preventing damage or injury.
- Quiet, durable operation using outdoor rated motors and components.
- Programmable limits. Fine tunable using a remote, or through your control system.

Note: Fabric selection may limit the size of the shade, or force cassette size to the next size up; use the SI Flow Tool and SI Design Services with help determining shade size and fabric selection compatibility.



Zen 2 Specifications

For illustration purposes only; not a system specification drawing

Form Factors

- Box
- Roll
- Pocket

Sizes

Standard - up to 18' wide, XL - up to 25' wide

Colors

9 standard powder coat options & primed for exterior paint to match your house

Methods of Control

Motorized

- Refer to page 2 (Flexible Configuration)

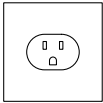
Environment

Outdoor environments

Technical Specifications

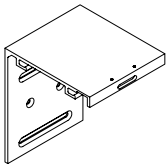
Compatible power sources

Configurable in 110v AC

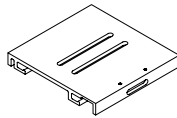


110v AC
RTS | 485

Bracket Options (Zen 2 Box)

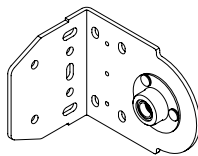
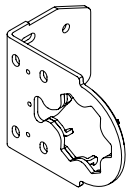


Wall Brackets

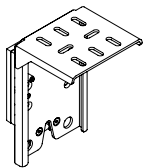


Ceiling Brackets

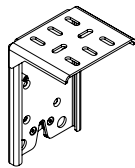
Bracket Options (Zen 2 Roll)



Bracket Options (Zen 2 Pocket)



Wall Brackets



Ceiling Brackets

Flexible Configuration

- Create groups, and create scenes and set times with the below control systems
- **ZEN 2 485 shades** - BCP, Control4, Crestron SIMPL, Crestron Home*, Dry Contact Closures, IR, 12v Trigger via Fontus, Elan, IP, RS-232, Lutron via TRO.Y, Loxone, RS-485, RTI, Savant, URC, 0-10v

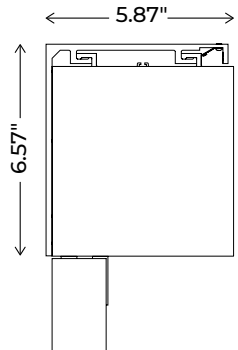
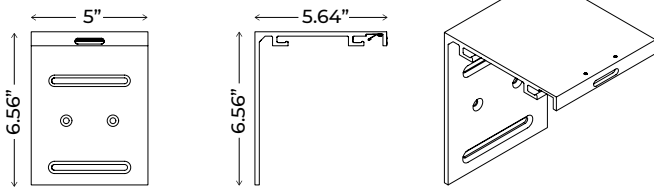
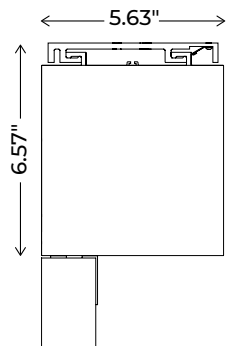
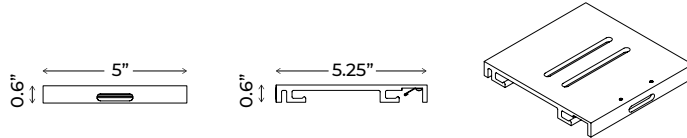
ZEN 2 RTS shades - Alexa, Control4, Crestron SIMPL, Crestron Home*, Dry Contact Closures, IR and 12v Trigger via Connect, Elan, Google Home, IFTTT, Josh.ai*, IP via TaHoma/LinkPro Z, Loxone, RS-232, RS-485 via URTSI II, RTI, Savant, URC

*-Coming Soon

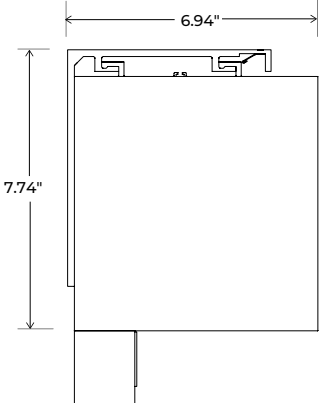
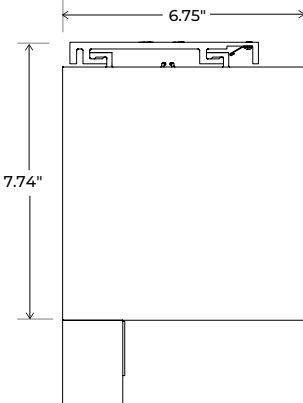
System Size

RTS - RTS systems can control up to 255 devices using LinkPro Z

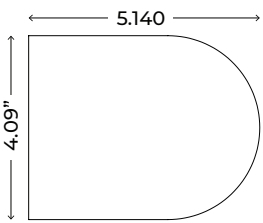
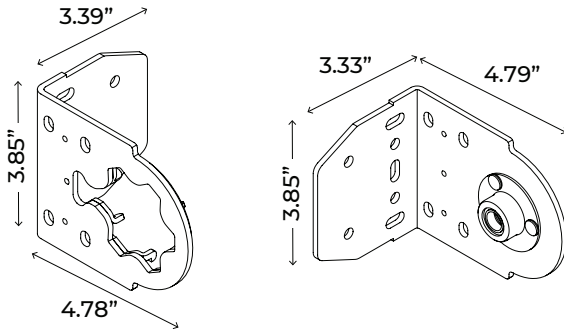
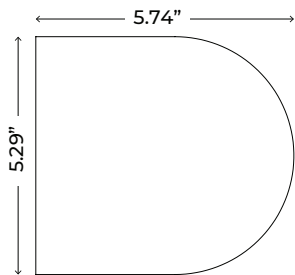
Zen 2 Box Mounts and Bracket Measurements

Wall Mounting	Wall Brackets
	
Ceiling Mounting	Ceiling Brackets
	

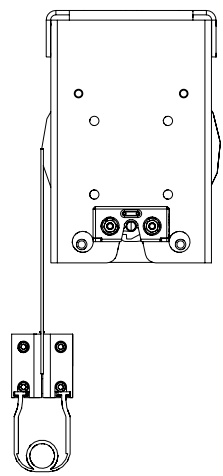
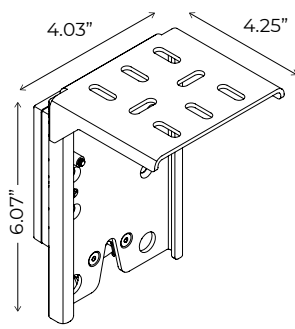
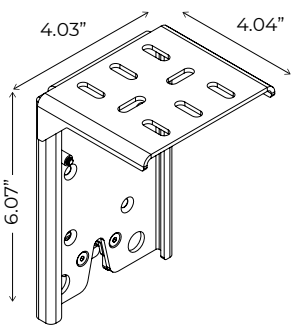
Zen 2 Box - XL Mounts and Measurements

Wall Mount	Ceiling Mount
	

Zen 2 Roll Mounts and Bracket Measurements

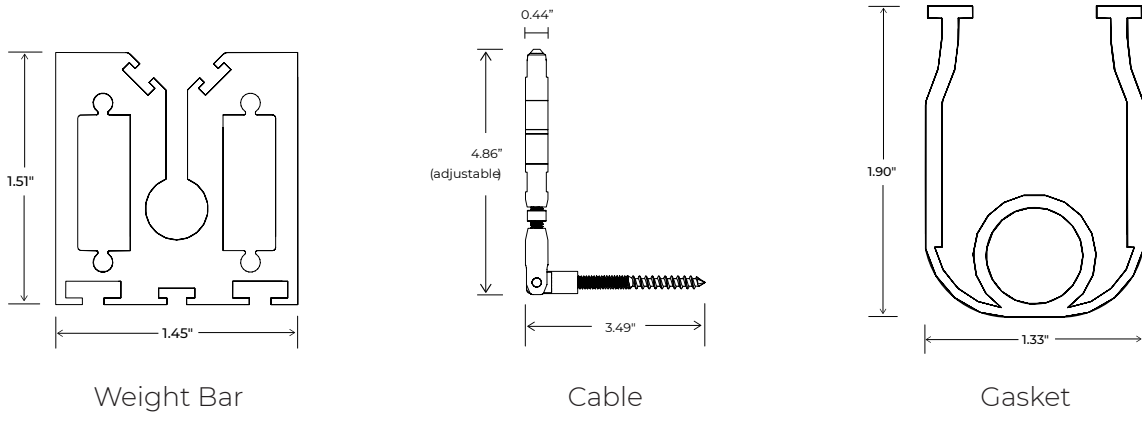
Standard Endcap	Brackets
	
XL Endcap	
	

Zen 2 Pocket - Mounts & Bracket Measurements

	Wall Mounting	Ceiling Mounting
		

Zipper Track Measurements

Cable Guide System



Zipper Tracks

