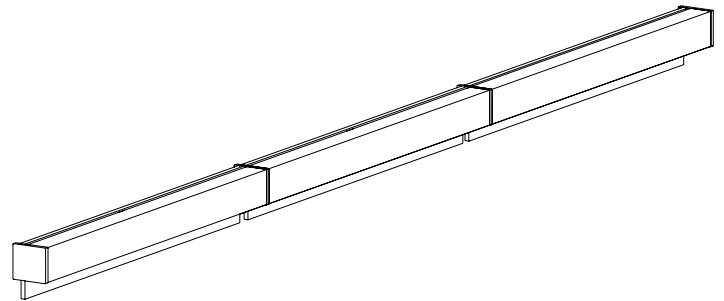


## One motor, multiple shades

### Features

- World's smallest coupled shade cassette system
- Modular design which can be easily transported and installed
- Low Voltage or AC Power
- Overall up to 300" for 24v DC shades and 480" for 110v AC shades - (4 shades max.) based of fabric selection and height
- Ultra-quiet operation, including soft start/stop technology with the low voltage motor option
- Programmable limits. Fine tunable using the remote, or the app, depending on configuration
- Smallest lightgaps in the industry, only 1" between each shade
- Perfect hembar alignment through coupler micro-adjustments so shades move in perfect unison. Hembar speeds programmable on LV motor options
- Optional Side & Sill Channels eliminate light gaps for a blackout experience
- Expansive textile / fabric options with UV blocking Sunscreen, Light Filtering, Privacy, and Black-out available, with many designer color and texture options to choose from. A large selection of commercial grade fabric options from industry leading suppliers carrying a range of testing certifications and compliance ratings, including fire ratings under NFPA 701-10 California Title 19, Bacterial & Fungal Resistance under ASTM E2180, ASTM G21, RoHS compliance fabrics, many with GREENGUARD certification, and various Acoustical Ratings for sound absorption, depending on fabric. Several fabric manufacturers and custom fabric options available
- Power failure memory for the life of the shade
- Available in Wired control using Janus, SIFI, and Fontus, or Wireless using RTS technology
- Low voltage power and communication over Category cable, or over existing 2-wire install



Nano Box 375 Coupled Specifications

*For illustration purposes only*

### Colors

Available in 12 colors. (Powder coated)

### Sizes

375 only

### Methods of Control

Wired Integration and control

- IP control for all popular control systems - 485
- Serial 232
- Contact closure (global and local)
- 12 v trigger
- 0-10v

Wireless Integration and control

- RTS (global and local)
- IR

**Note: Fabric selection may limit the size of the shade. Use the SI Flow Tool and SI Design Services for help determining shade size and fabric selection compatibility**



# NANO BOX 375 COUPLED

v1.4 | 2 Aug 2021

## Specifications

### Power

- Low Voltage Power, with operating voltage: (class 2, 24-28v DC)
- Line Level Voltage Power, with operating voltage: (110v AC, 50 - 60Hz)
- Power supply features over/under-voltage, over/under current, and thermal protection for all devices in the system
- Electrostatic isolated and galvanic isolation
- Non-volatile memory, meaning programming is protected in the case of a power failure
- Must use Screen Innovations supplied power source for all low-voltage and Power charging

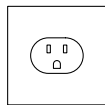
## Compatible power sources

Configurable in 2 available motor types:



24v DC  
RTS | 485

**375**



110v AC  
RTS | 485

**375**

Max overall width of 300" on the DC motor and 480" on the AC motor based of fabric selection and height

## Flexible Configuration

- Create scenes, groups, and set times
- Systems we integrate with:

**NANO 485 shades** - AMX, BCP, Control4, Crestron SIMPL, Crestron Home\*, Dry Contact Closures, Elan, IP, IR, Lutron, Loxone, RS-232, RS-485, RTI, Savant, URC, 0-10v, 12vTrigger  
**NANO RTS shades** - Alexa, Control4, Crestron SIMPL, Crestron Home\*, Dry Contact Closures, Elan, Google Home via IFTTT, Josh.ai\*, IP, IR, Lutron, Loxone, RS-232, RS-485, RTI, Savant, URC, 12v Trigger  
**NANO Zigbee shades** - Alexa, Control4, Crestron SIMPL, Crestron Home\*, Elan, Google home via IFTTT, IP, IR\*, Lutron\*, RS-232\*, RS485\*, RTI\*, Savant, URC\*

**NANO RTS shades** - Alexa, Control4, Crestron SIMPL, Crestron Home\*, Dry Contact Closures, Elan, Google Home via IFTTT, Josh.ai\*, IP, IR, Lutron, Loxone, RS-232, RS-485, RTI, Savant, URC, 12vTrigger

\*-Coming Soon

## System Size

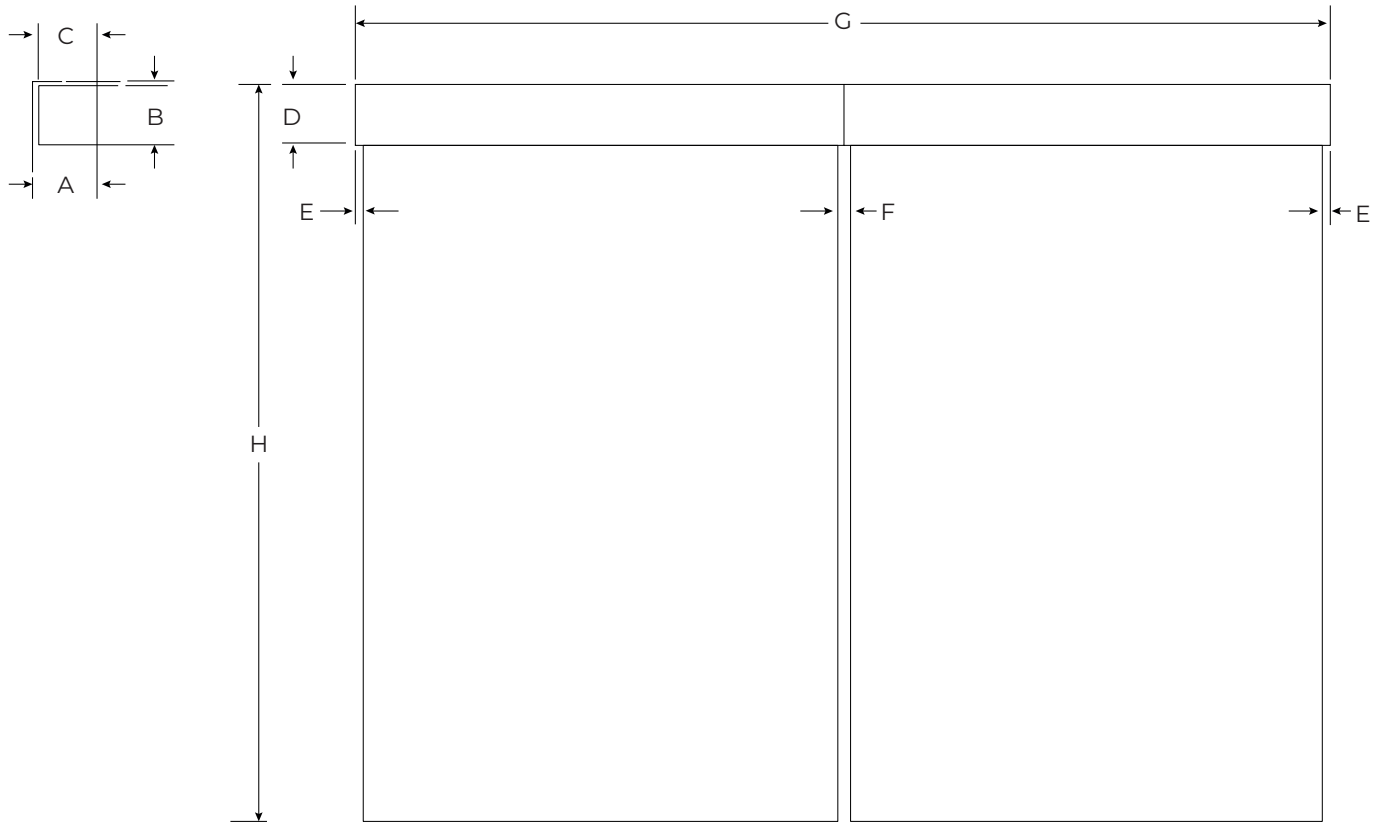
**Janus** - Each Janus powers up to 8 devices, and up to 255 devices per segment.

**RTS** - RTS systems can control up to 255 devices using LinkPro

## Environment

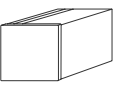
Operating temperature range is normal ambient (32 to 110 degrees), and humidity levels up to 90%. Not meant for wet environments

## Measure your shade



Series	375	
Motor	DC	AC
A	4 7/16"	4 7/16"
B	3 15/16"	3 15/16"
C	3 15/16"	3 15/16"
D	3 11/16"	3 11/16"
E	3/4"	3/4"
F	1"	1"
G	Ordered Shade Width	
H	Ordered Shade Height	

## Nano Box 375 Coupled Measurements

	Height & Depth		Max. Width		Min.		Max.		Light Gap
	Cassette	Cassette	Motors	Control	Width	Width	Height		
<b>375 Coupled</b>	 3.7" (94mm) 3.9" (99mm)	15'	Low Voltage (DC)	RTS / 485	**Drive side 37 1/8	Up to 180	Up to 192	Std. 3/4	
			Line Voltage (AC)	RTS / 485	**Drive side 38			Inner 1	

## Box and Bracket Dimensions

