

## Zigbee 3.0 Mesh Controller

### Features

- This Zigbee 3.0 Mesh Controller gateway
- Includes Ethernet connection
- Wi-Fi
- supports RTS shades

### Power Input

5VDC 2A (via USB)

### Interface

#### LED indicator

1 – RGB (RED, GREEN, BLUE) with PWM

#### Mechanical keys

1 for WIFI configuration (access point)

1 for RESET

#### USB

Micro USB with OTG

### Radio Frequency

RTS: 433.42 MHz

Range: 10 m radius

Zigbee: 2.4 GHz

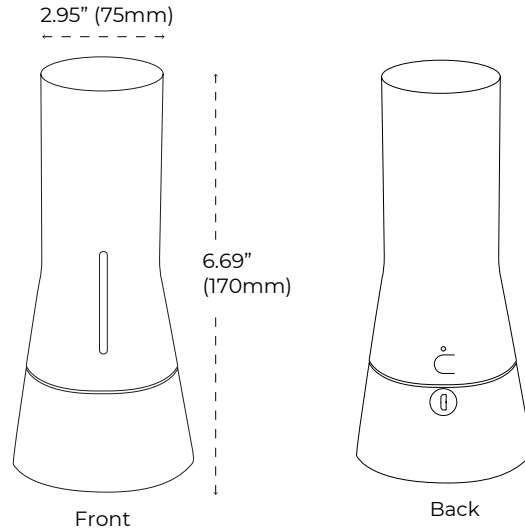
Range: 7 m radius

WIFI: 2.4 /5 GHz

Range: 15 m radius

### Installation Best Practices

For installation, determine the best central location between all shades with access to network and AC power. All Zigbee devices must be within 7 m of the gateway or up to 7 hops away using edge routers.



### TaHoma Specifications

*For illustration purposes only*

### Dimensions

3"L x 3"W x 6.7"H

(75 mm x 75 mm x 170 mm)

### Parts in the Box

#201517

TaHoma, Main base, Base holder, USB to Ethernet Dongle, USB cable and charger, Quick Start Guide

### Operating Temperature

32–104°F (0–40°C)

### Works with

- Situo remotes
- Smart Outlet
- Smart Plug
- Nano shades
- Zen 2 shades
- TaHoma App

## Connections & Indicators

| Element      | Function   |
|--------------|--|
| Setup Button | Engages Setup Mode   |
| Status LED   | <ul style="list-style-type: none"><li>• <b>Solid Green:</b> The box is connected to the cloud.</li><li>• <b>Solid Red:</b> The box is not connected to the cloud.</li><li>• <b>Fixed Orange:</b> The box is starting up.</li><li>• <b>Flashing Orange:</b> LinkPro Z is initializing before normal operating mode.</li><li>• <b>Flashing Red:</b> Updating.</li><li>• <b>Flashing Red Regularly:</b> Error Code.</li></ul> |

## Drivers

- Amazon Alexa
- Brilliant
- Control4
- Crestron
- ELAN
- Josh
- Lutron
- RTI
- Savant
- URC