



# SMART LIGHT SWITCH

v 1.0 | Sept 24 2020

## Zigbee 3.0 Edge Router

### Features

- Professionally installed in the wall, this Zigbee 3.0 Edge Router expands and allows robust communication. Helps extend battery life of Zigbee 3.0 Shades. Enables Zigbee Remotes to control shades with our without Internet connection
- Includes white and light almond paddles
- Can be controlled via TaHoma app or 3rd party control systems
- Decora style insert can be ganged with other Decora style products

### Power

120v AC, 60Hz

### Load

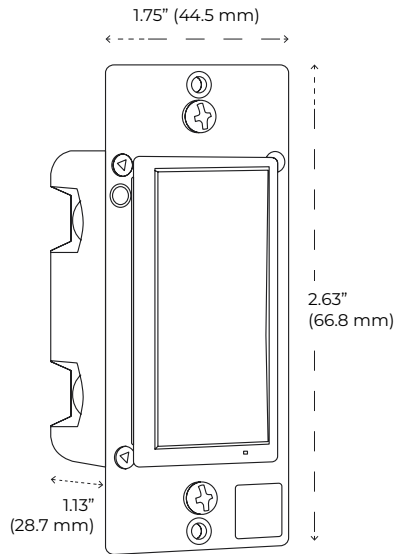
(Max) 960W incandescent, 1/2HP motor, 1800W@15A (Resistive) or 3.75A LED/CFL

### Operating Temperature

32-104° F (0-40° C)

### Radio Frequency

2.4 GHz



### Smart Light Switch Specifications

*For illustration purposes only*

### Dimensions

1.13" D x 1.75" W x 2.63" H  
(28.7mm x 44.5mm x 66.8 mm)

### Parts in the Box

#### #43109

Smart Light Switch, Screws (2), Paddles (2, White and light Almond options) Installation Instructions (Trim plate not included)

### Installation Best Practices

7m between any Zigbee devices per room, 1 unit - upto 7 shades (every 8th shade add an additional unit).

### Works with

- Link Pro Z
- TaHoma
- Situo remotes
- Nano Shades
- TaHoma App
- Smart Plug
- Smart Outlet