

Ultra-high density 485/ Zigbee /RTS LV power and control hub

Features

- Power & data for up to eight 485 LV, 485 AC, Zigbee/RTS LV shades/screens
- 8 UTP ports for Shades or BUS Devices
- 100 Bus power units for all 8 ports
- 2 BUS IN/ BUS OUT ports for system expansion
- Galvanic isolated BUS ports
- Versatile mounting options
- RS485 segmented outputs
- Completely solid state, no moving parts
- Unit stays at room temperature (does not get hot)

Input

Primary Terminal Block Face – 24 - 28V DC
Secondary UTP Face – 24 - 28V DC (Redundant)

Power Consumption with 240

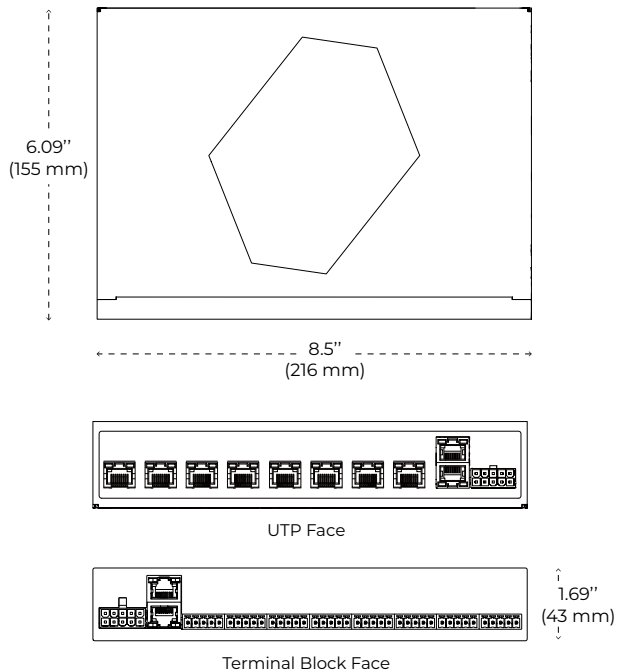
100 - 240v ~ 2.8A - 1.4A (50-60Hz)

Power Consumption with 480

100 - 230v ~ 4.0A - 1.4A (50-60Hz)

Connectors

- 8 Terminal Blocks (3.8 mm) - 5 positions
- 8 RJ45 (with Spike option for longer runs)
- 2 double stacked RJ 45
- 2 DC Inputs - 10 positions
- Complies with UL2043 and is suitable for Air Handling Spaces in accordance with section 300.22(c) of the National Electric Code.
- Plenum Rating only when used in conjunction with Plenum wiring(NFPA 262)



Janus Specifications

For illustration purposes only

Dimensions

8.5" L x 6.09" W x 1.69" H
(216mm x 155 mm x 43 mm)
1RU/Half Rack compatible

Parts in the Box

#201505

1 Janus, 2 Universal Rack Ears, 1 Rack Mount Fascia, 10 Universal Mounting screws, 2 Din Rail Screws, 1 Long Rack Ear, 1.5 mm Hex Tool, 2 Universal Din Rail Brackets, 8 Terminal Blocks, 4 Rack Mount Screws

Works with

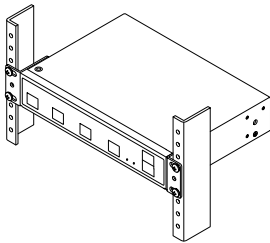
- Fontus
- TRO.Y
- Nano 485 LV, 485 AC, Zigbee / RTS LV Shades
- Zen Shades
- Solo / Pro 2 screens
- Motorized 5 / 3 screens
- 5.08mm 5 position terminal blocks (#340009)

Wire types and length

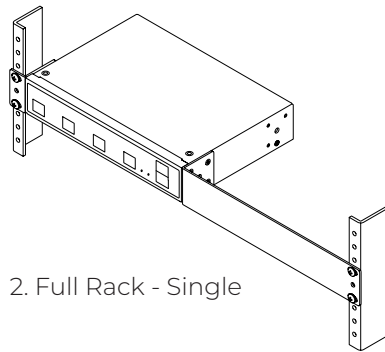
Scan the QR code below /reference the Wire Topologies sheet (<https://si-website-files.s3.amazonaws.com/Downloads/Info+Sheets/wire-topologies.pdf>) on our website for supported wire and pinouts.



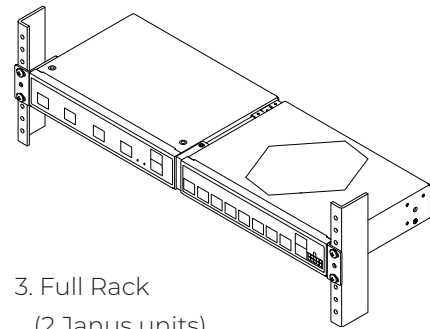
Common Mounting Options



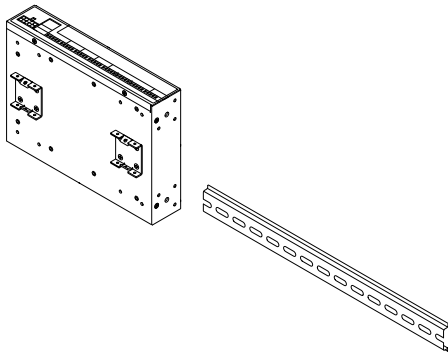
1. Half Rack



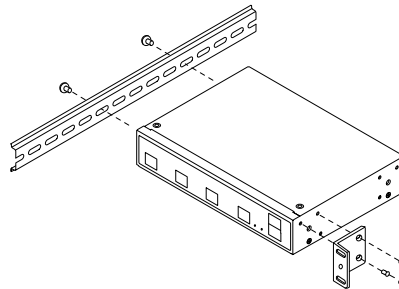
2. Full Rack - Single



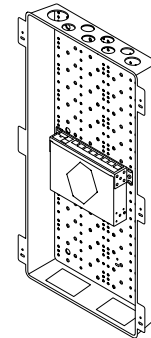
3. Full Rack
(2 Janus units)



4. Din rail Mounting
(multiple ways)

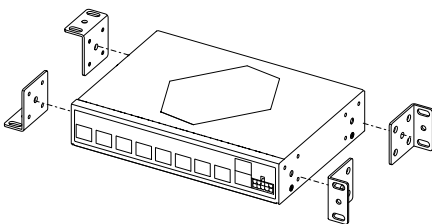


5. Din rail Mounting
(plenum air space)

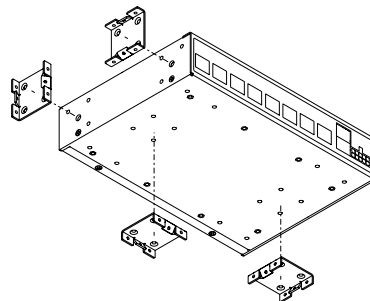


6. Structured Wiring Box

Alternative Mounting Options



1. Using Universal Rack Ears



2. Using Universal Din Rail Brackets