

RTS controller range expander

Features

- Communicates with all (RTS) Devices/Motors
- Range Expander - Strengthen's and extends the radio frequency signal (RTS) from control to motor
- Plug & Play - Plugs directly into any AC-Outlet. No programming needed
- LED Feedback
- Controls unlimited # of shades simultaneously
- Removable omnidirectional antennae

Power Input

Power input is 120v AC

Device placement

approximately halfway between the RTS motor and controller

Material

ABS

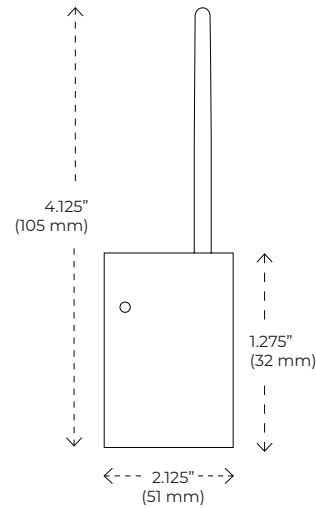
Maxium Range

65'

Note: Only 1 repeater may be used per site installation (even when using a TaHoma or LinkPro Z).

Operating Temperature

Ambient Temperature



RTS Repeater Specifications

For illustration purposes only

Dimensions

4.125"H x 2.125"W x 1.275"H (without antenna)
(105mm x 51mm x 32mm)

Parts in the Box

#1810791

(1) RTS Repeater, 433 MHz antenna, Installation instructions

Works with

- Connect
- MyLink
- LinkPro and LinkPro Z
- TaHoma
- All RTS remotes
- Zero-G
- Nano Shades using RTS gateway
- Veil drapes using RTS gateway
- Zen Shades via using RTS gateway
- 5 / 3 Motorized Screens using RTS gateway
- Solo / Pro 2 Screens using RTS gateway
- RTS to 485 Gateway