

LinkPro Z Mounting Accessory

Features

- Swing clamp tightens to ceiling material using a screwdriver.
- Housing construction is optimized to minimize signal impact.
- Includes spacer to bring smaller access points closer to ceiling surface.
- Ratcheting cable design for one-handed adjustments to tighten and loosen the installed device.
- Includes hole template for foolproof measurement.
- Ingenious design ensures cables won't slip out during installation.

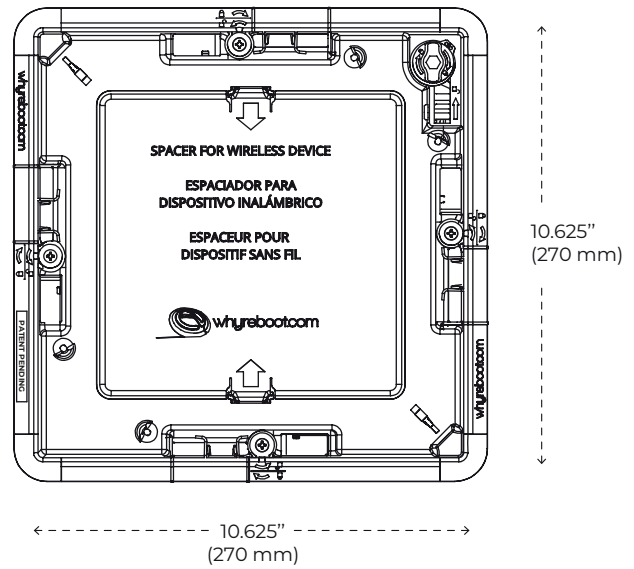
Parts in the Box

#201512

Flush Mount Back Box, Flush Mount Cover Plate, Smaller WAP Spacer, Back Box Template/Instructions.

Compatible with

- AP dimensions up to 8.9" x 8.9" x 2.65"
- LinkPro Z / LinkPro
- Ruckus R720
- All Luxul WAPs
- All Pakedge WAPs
- All araknis WAPs
- All Ubiquiti WAPs
- and many others



Flush Mount Kit Specifications

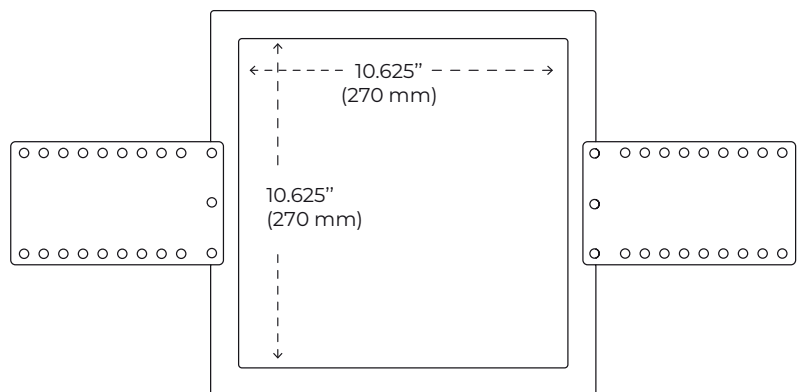
For illustration purposes only

Dimensions (cutout)

10.625" W x 10.625" H
(270mm x 270mm)

Additional Accessories

LinkPro Z - Flush mount kit Pre-construction bracket (Sold separately) - #201513



Indoor use only