

Fontus Motor Control Guide

Screen Control only

 INSTALLERS: PLEASE LEAVE THIS MANUAL WITH THE OWNER.



Doc # 400153

FONTUS - THINGS TO CONSIDER BEFORE INSTALLING

What is FONTUS?

FONTUS is a unique 485 device that can be used to send power and data over two conductor wire, or it can be used as a standalone 485 motor controller.

What can FONTUS do?

FONTUS accepts commands from a third-party control system, projector, or keypad and converts them into 485 commands. FONTUS can control any 485 motorized products available from Screen Innovations. FONTUS can accept the following common control inputs:

- 12v trigger (latched 7-12v)
- Contact Closure (relay, dry contact)
- IR (infrared)
- Keypad (with FONTUS keypad)

What products does FONTUS work with?

FONTUS can control virtually any 485 motorized product available from Screen Innovations. This includes:

- 3/5 Motorized
- Solo 2/Solo Pro 2
- Nano
- Zen
- Veil

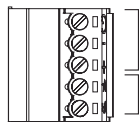
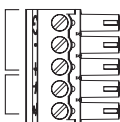
How is FONTUS Powered?

FONTUS is an actively powered device and requires 7-28v DC power regardless of the application. Power can be supplied by Janus, the 24v “wall wart” power supply included in the FONTUS control kits, or with a third-party power supply. There is an important distinction for line voltage and low voltage applications of FONTUS:

- Line voltage: the 24v power supply powers FONTUS only, the screen motor is powered separately by the line voltage connection.
- Low voltage: 24v power supply powers FONTUS and the screen motor.

Fontus Pinouts

485 screen output
Power supply output
(24v - 28v DC)

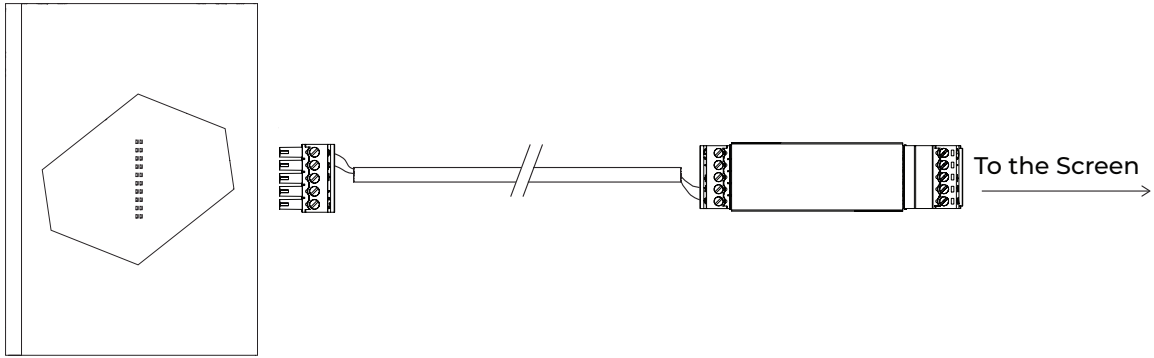


GPIO INPUTS
(12v Trigger, Dry Contact, IR)
Power supply input
(24v - 28v DC)

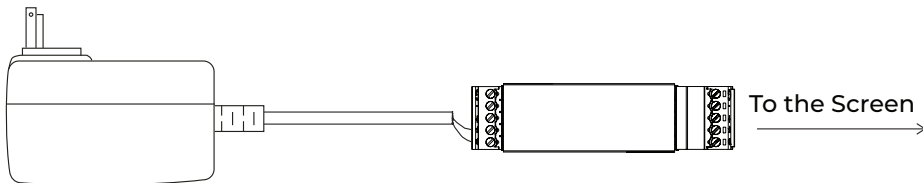
FONTUS - POWER OPTIONS

⚠ Never connect Line-Voltage to Fontus!

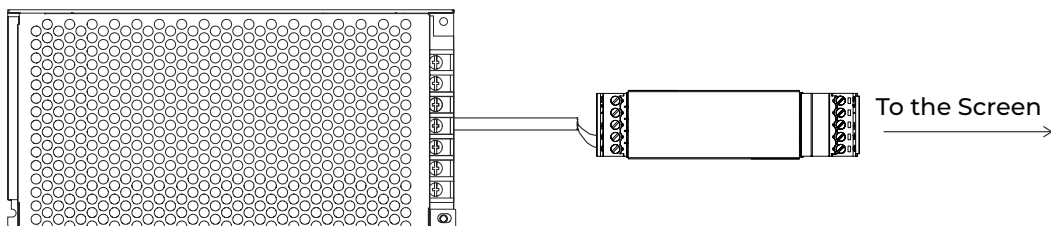
With Janus



With Included Power Supply



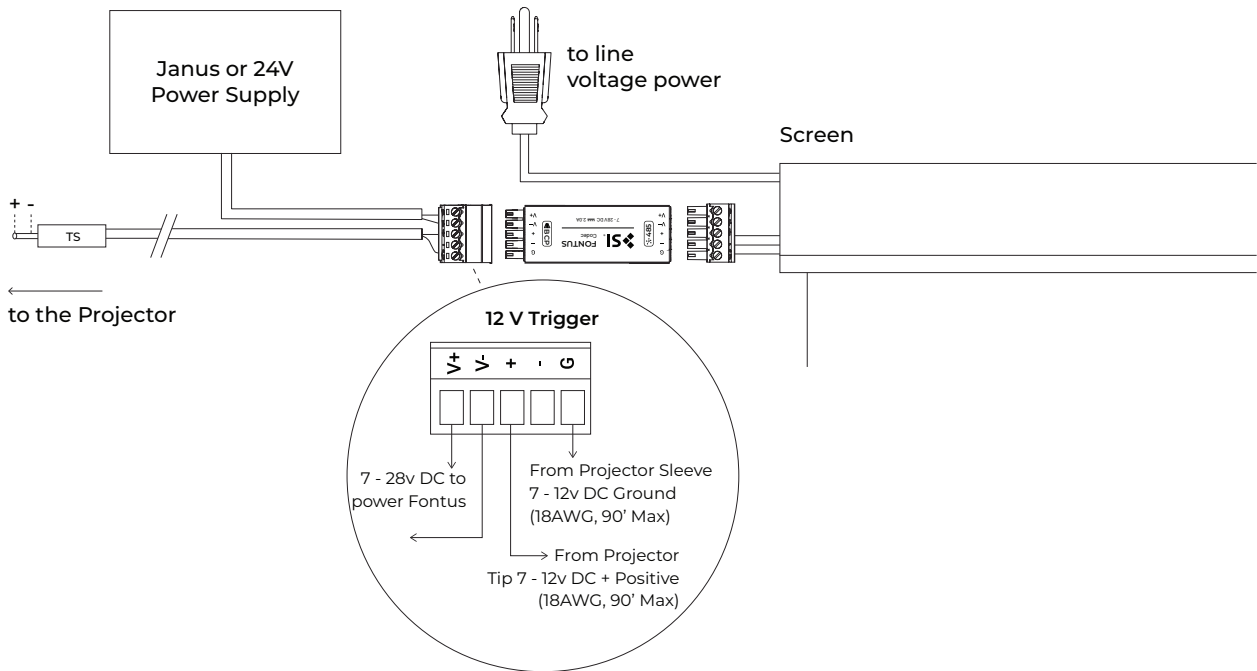
With Third-Party Power Supply



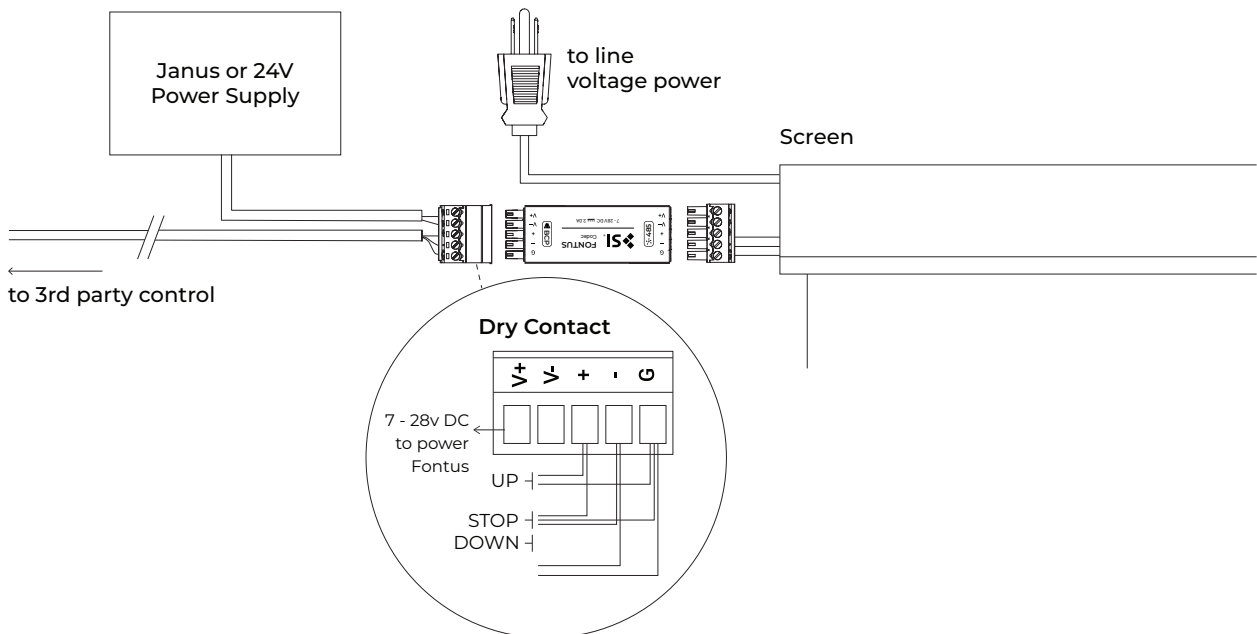
FONTUS - POWER OPTIONS

⚠ Always disconnect Fontus when programming a motor!

Line Voltage 12v Trigger



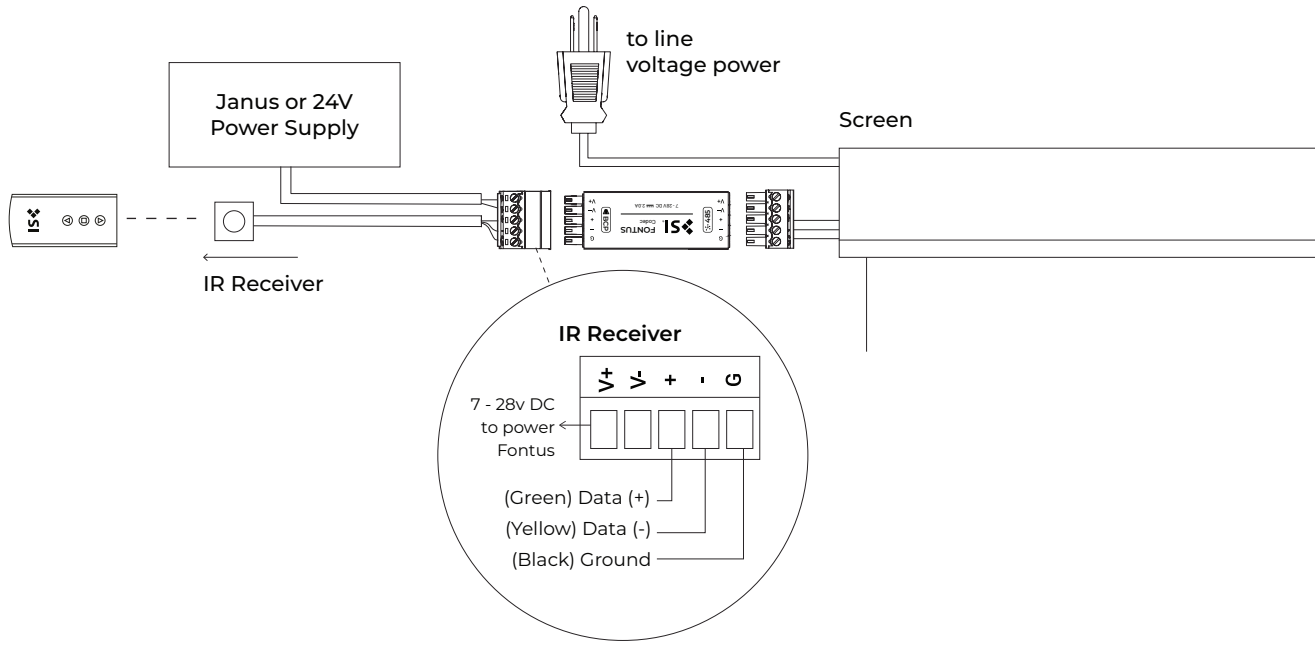
Line Voltage Contact Closure (Relay/Dry contact)



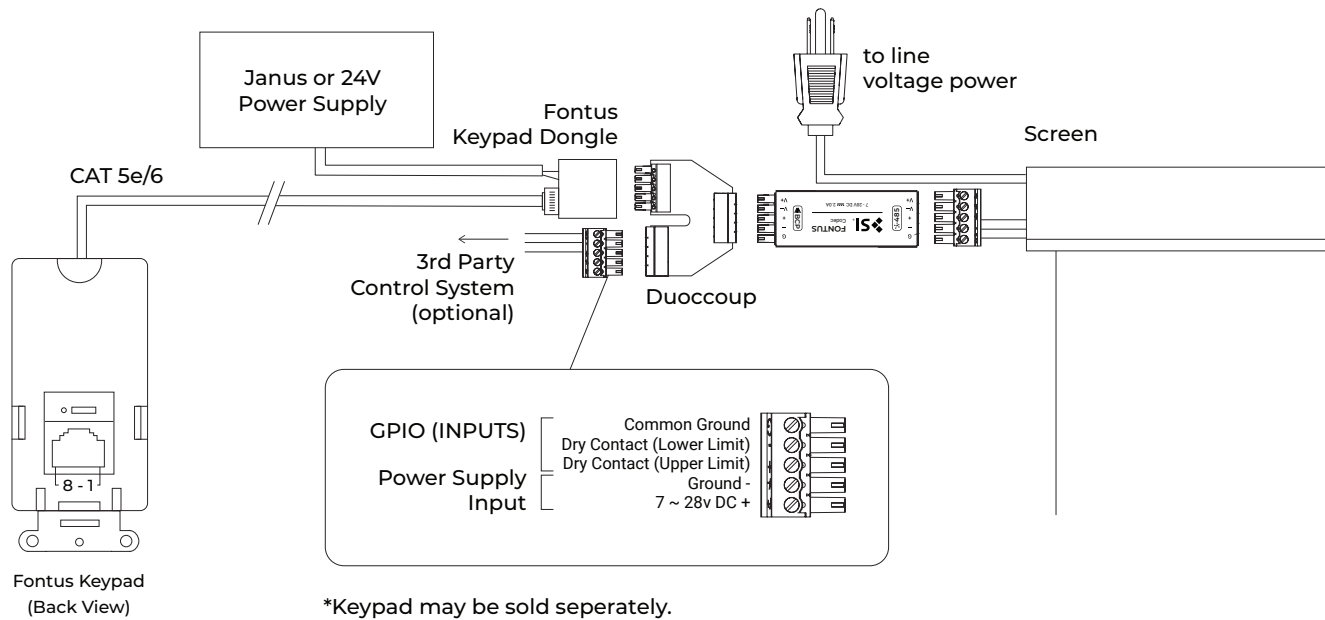
FONTUS - POWER OPTIONS

⚠ Always disconnect Fontus when programming a motor!

Line Voltage IR



Line Voltage Keypad



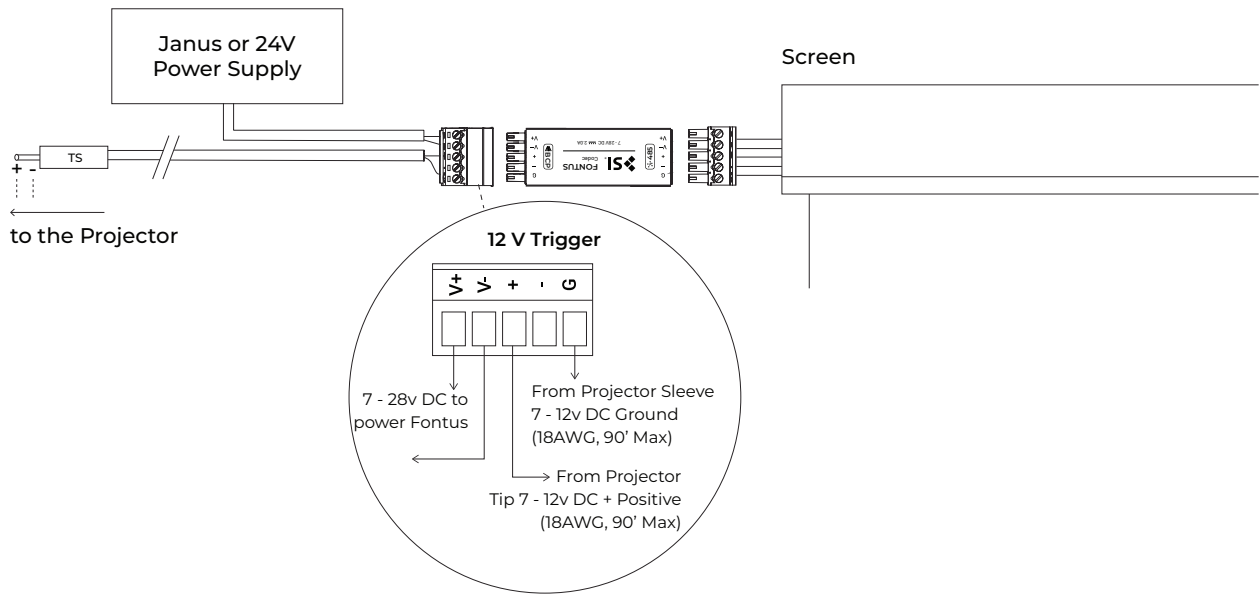
*Keypad may be sold separately.

Note: When using a Fontus keypad, only Dry Contact control is available!

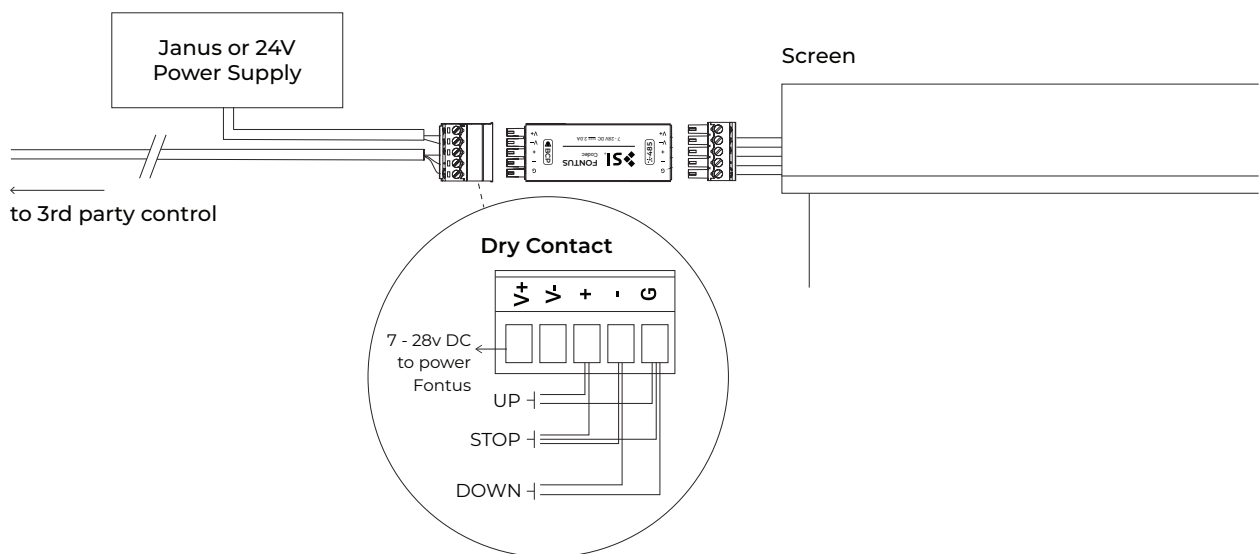
FONTUS - POWER OPTIONS

⚠ Always disconnect Fontus when programming a motor!

Low Voltage 12v Trigger



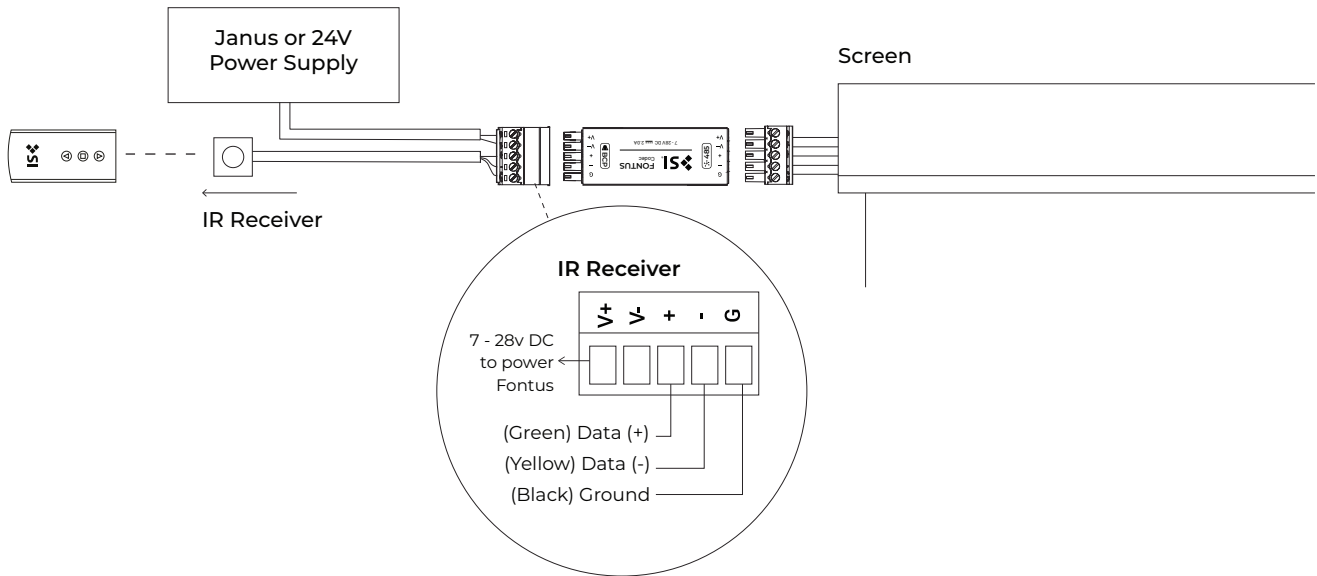
Low Voltage Contact Closure (Relay/Dry contact)



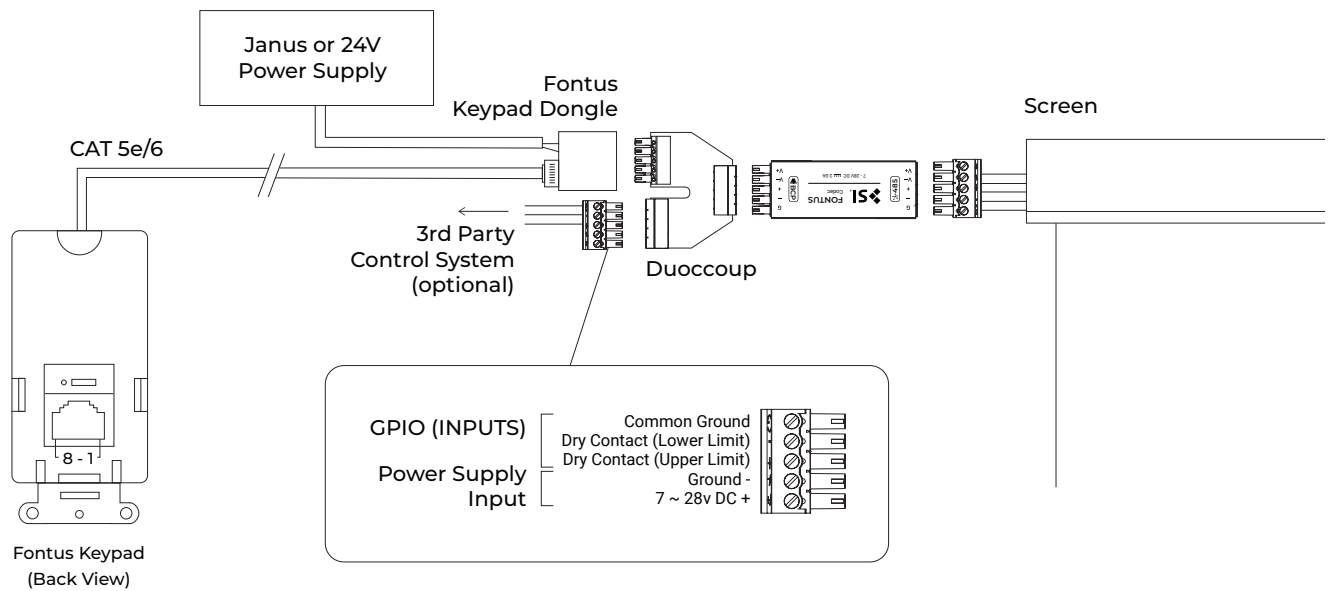
FONTUS - POWER OPTIONS

⚠ Always disconnect Fontus when programming a motor!

Low Voltage IR



Low Voltage Keypad



Note: When using a Fontus keypad, only Dry Contact control is available!



Screen Innovations

9715-B Burnet Rd, Suite 400 Austin, TX 78758

512.832.6939

www.screeninnovations.com