

**275**  
**Pocket Single**  
Installation Instructions  
Indoor Shades



INSTALLERS: Please leave this manual with the owner.



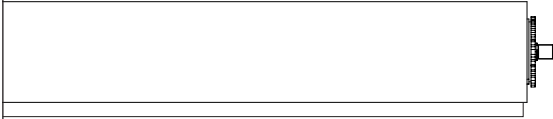


# TABLE OF CONTENTS

Parts List .....	4
Leveling Shims .....	5
275 Pocket Single Shades Installation .....	6 - 8
Side & Sill Channels Installation.....	9 - 13
Wiring - 24v DC - 485 .....	14 - 15
Wiring - 24v DC - RTS.....	16
Wiring - 110v AC - 485 .....	17
Programming - 485 .....	18
Programming - RTS .....	19
Troubleshooting - 485.....	20
Troubleshooting - RTS.....	21
Serial No.s.....	22

# PARTS LIST - 275 - POCKET - SINGLE - SHADES

## Shades

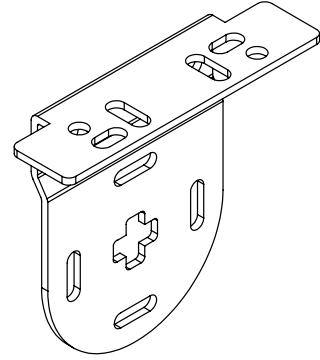


275 Roll

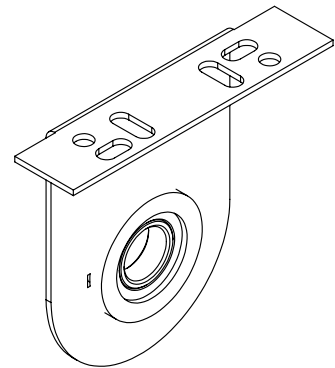


Please note all the Serial No.s on your Shade motors. See the last page on these instructions.

## Motor Side Bracket



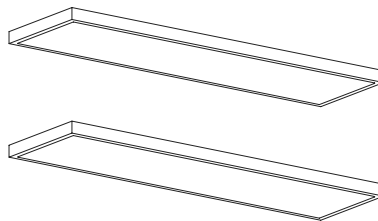
## Idler Side Bracket



## Installation Remotes (1 per RTS shade)

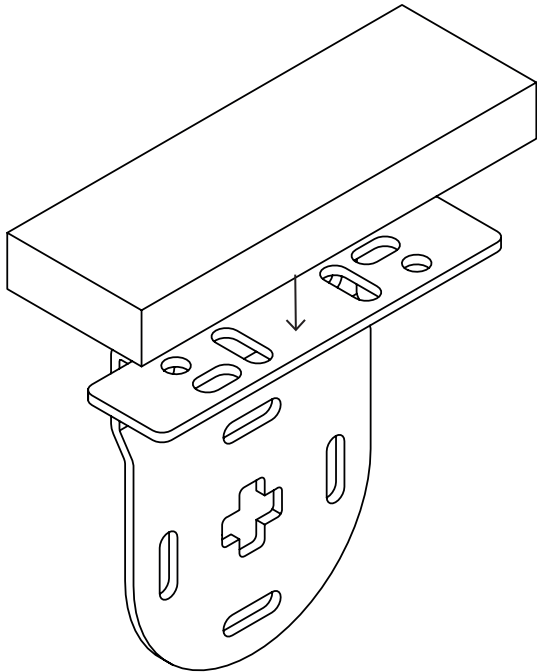


## Leveling Shims (4 per shade)



# LEVELING SHIMS (OPTIONAL)

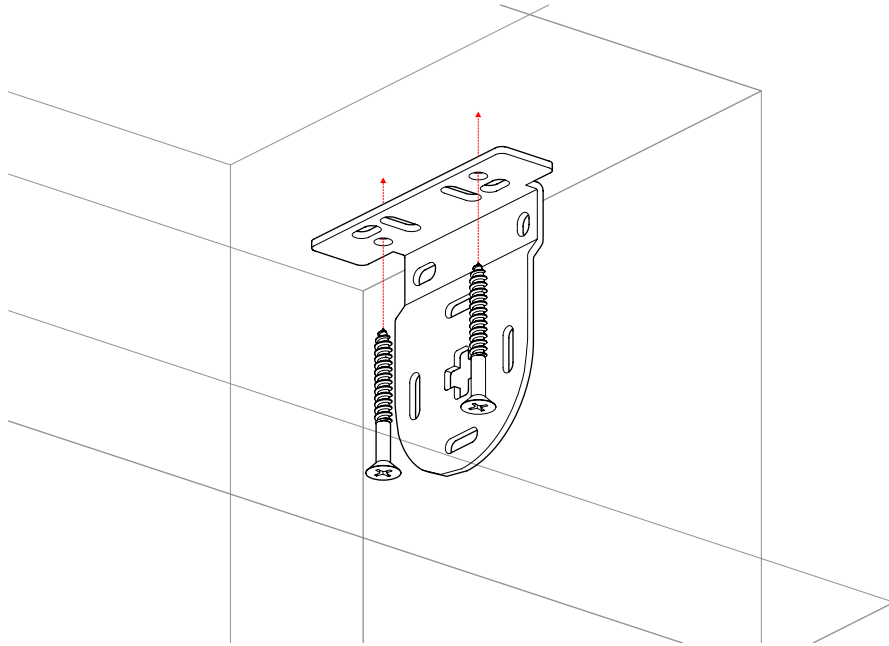
Leveling Shims - used if the window frame is out of level.



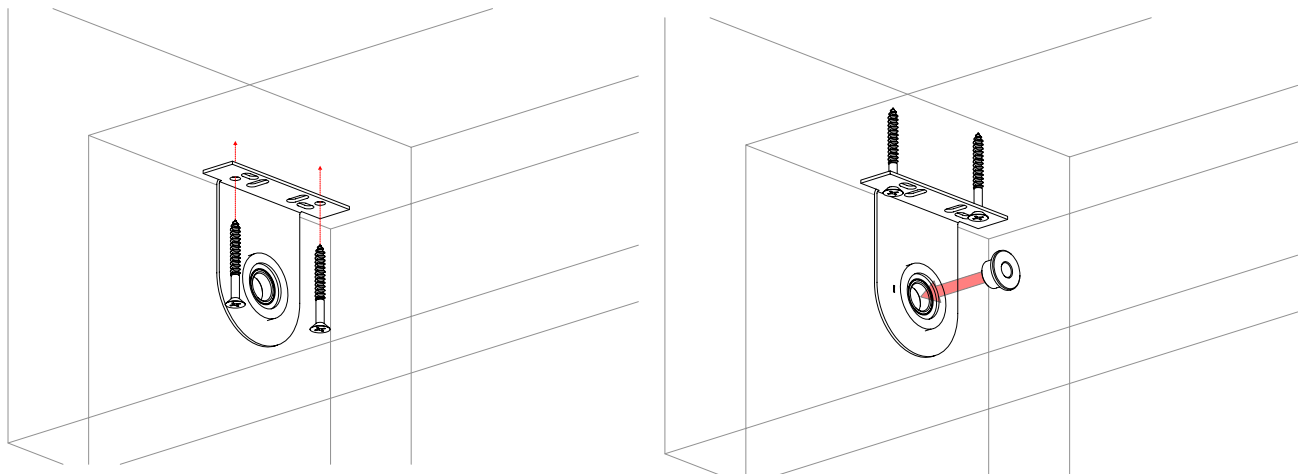
Connect to shade brackets before installation  
Note: do not use more than 2 leveling shims per bracket.

# INSTALLATION - 275 - POCKET - SINGLE - SHADES

1. Install the motor side bracket inside of the pocket with a distance of 0.46 inches from the edge of the mounting bracket to the back wall.



2. Install the idler side bracket inside of the pocket with a distance of 0.46 inches from the edge of the mounting bracket to the back wall.



# INSTALLATION - 275 - POCKET - SINGLE - SHADES

3. Use the length of the shade roll to determine the distance between brackets. Once the brackets are secured, we are ready to install the roll.

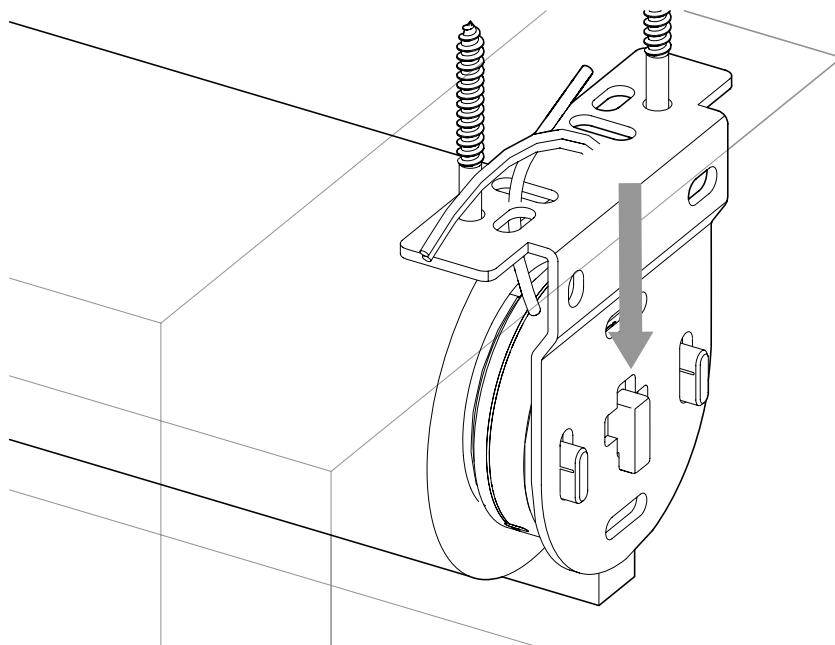


4. To install the roll: First, insert the idler side of the roll in the idler side bracket. Making a slight pressure to the idler side, push up the motor side of the roll until lined up with the motor side bracket.



# INSTALLATION - 275 - POCKET - SINGLE - SHADES

5. Repeat the same step 4 for the following remaining shades.

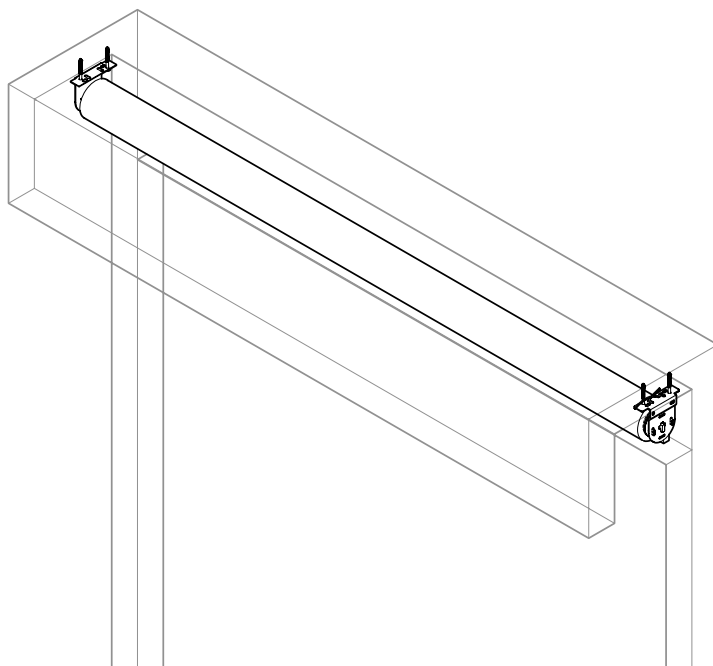




## SIDE CHANNELS INSTALLATION

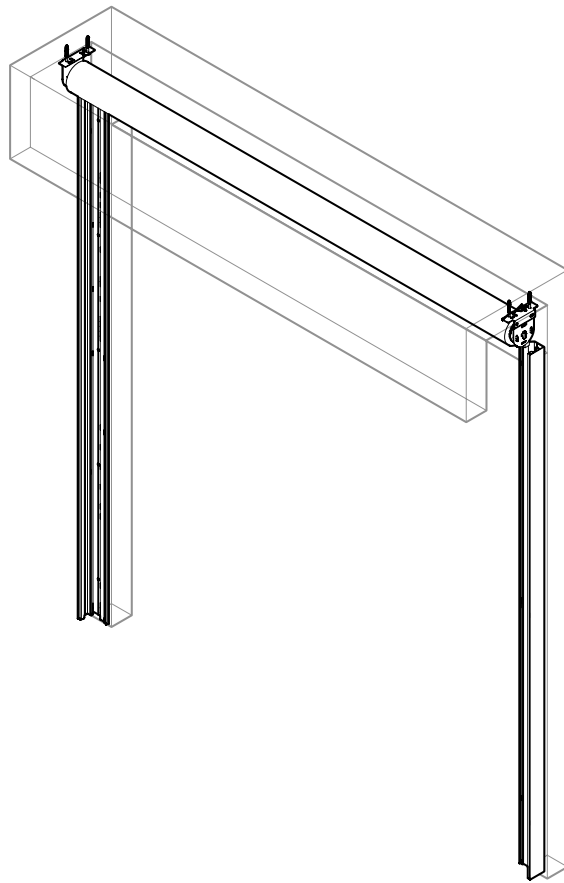
(Ignore, if you dont have Side Channels)

1. Align the right face of the Side Channel with the right face of the right-end bracket. Repeat process on the left-end bracket.



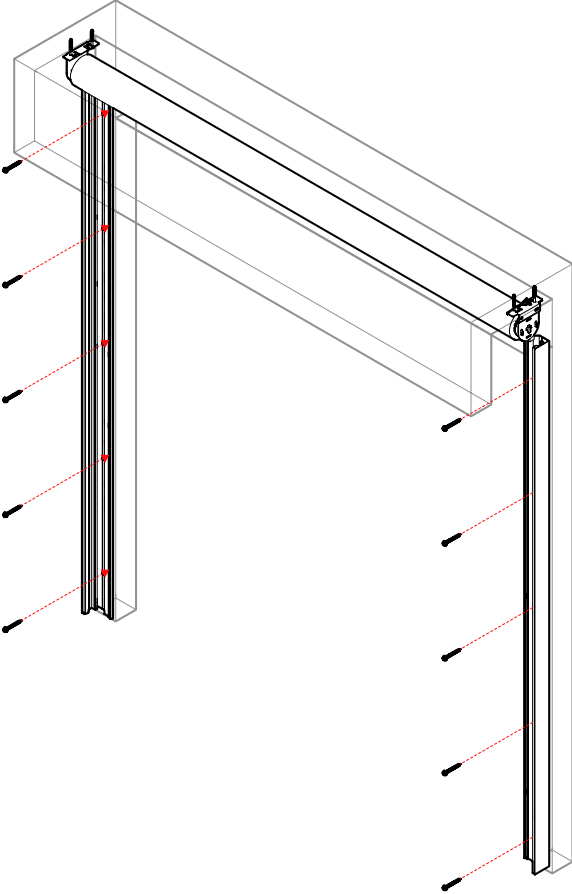
# SIDE CHANNELS INSTALLATION

2. Pre-drill holes for screws.



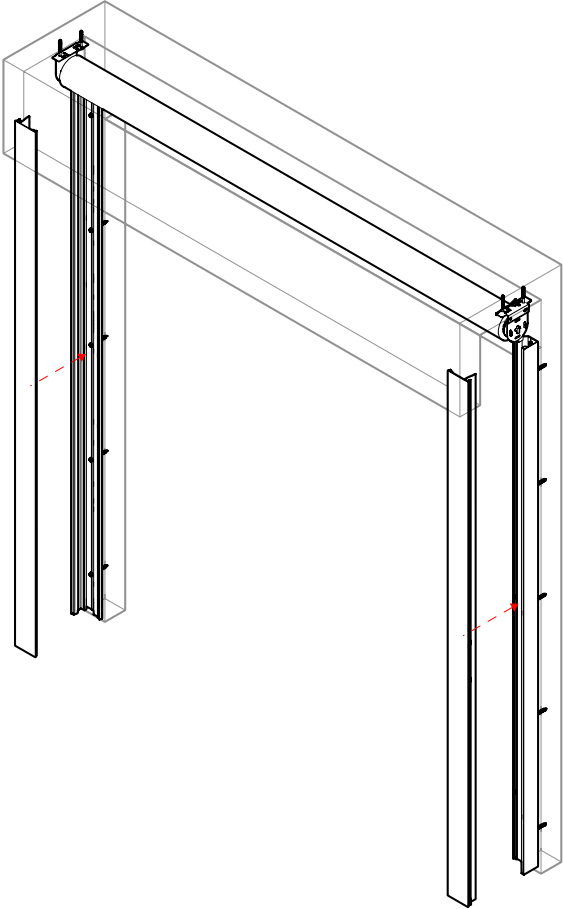
# SIDE CHANNELS INSTALLATION

3. Install screws in place.



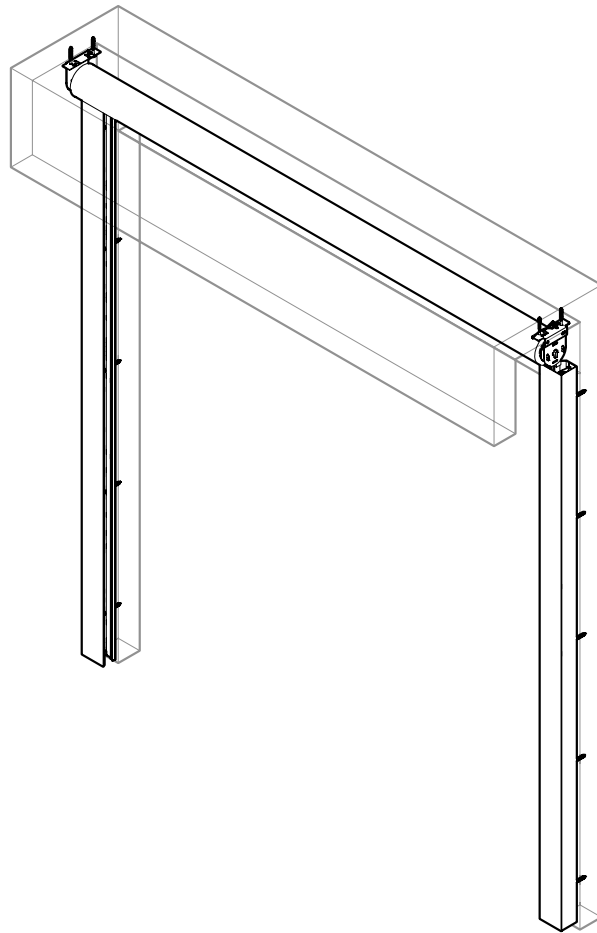
# SIDE CHANNELS INSTALLATION

4. Install covers for each Side Channel.



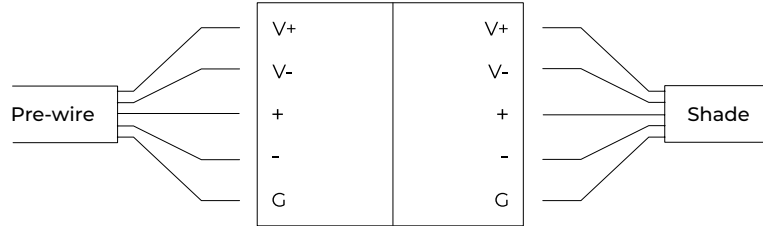
# SIDE CHANNELS INSTALLATION

You are done with installing the shades successfully! We can now move to Wiring and Programming the Shades.



# WIRING - 24v DC - 485

## 24v DC - Using 5 Conductor Wire

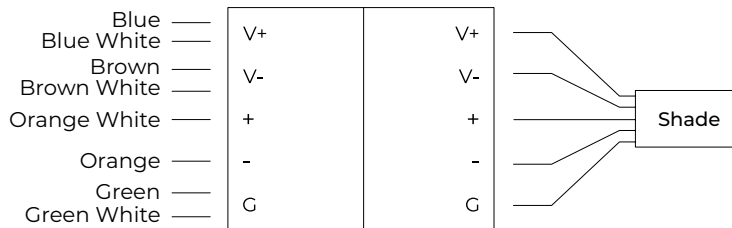


Marking	Description
V+	Positive 24VDC
V-	Negative 24VDC
+	485 Data Positive
-	485 Data Negative
G	485 Data Ground

Wire Gauge (AWG)	Maximum Supported Wire Length (FT.)
14	250
16	150
18	100

## 24v DC - Using UTP wire

Wire between Janus terminal block face and the motor only.



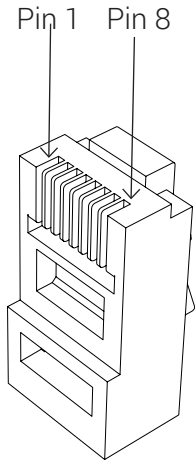
Marking	Description
V+	Positive 24VDC
V-	Negative 24VDC
+	485 Data Positive
-	485 Data Negative
G	485 Data Ground

Wire Gauge (AWG)	Supported Wire Length (FT.)
24 w/o Spike	150 (275 Shade)
	100 (375 Shade)
24 w Spike	300 (275 Shade)
	150 (375 Shade)

# WIRING - 24v DC- 485

## RJ45 DATA CABLE FOR DATA HUB ONLY

If the shade will be connected to a Data Hub or Power Panel device port for data, terminate with the following pinout:



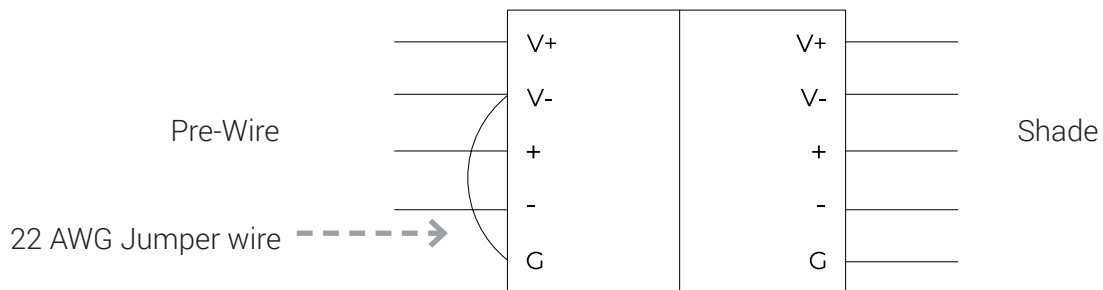
**RJ45**

485 Wiring Port		
Utilizing RJ-45 TIA-568B termination standard		
Pin#	Color	Function
1	Orange White	485 (+)
2	Orange	485 (-)
3	Green White	Reserved
4	Blue	Power 24v DC (V+)
5	Blue White	Power 24v DC (V+)
6	Green	Reserved
7	Brown White	485 Ground (G)
8	Brown	485 Ground (G)

**For Shade Data, use Pins 1, 2 & 8**

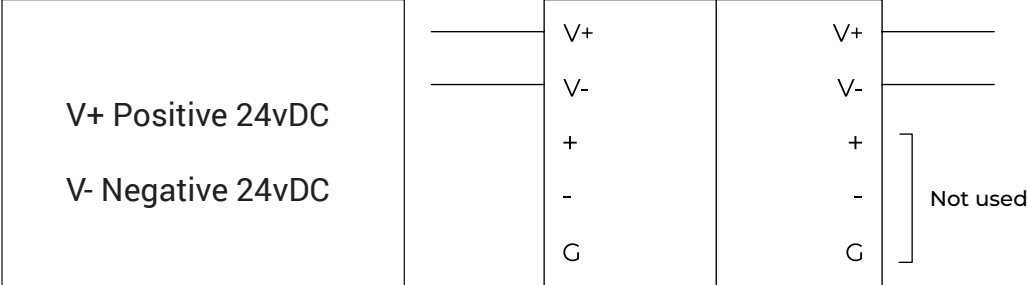
## TERMINATION FOR 4 - CONDUCTOR THIRD PARTY CABLE

If the pre-wire does not have a third insulated data conductor for the 485 ground, terminate the wire as shown below. Use the same termination on both ends.



# WIRING - 24v DC - RTS

## 24v DC



For guaranteed motor performance the supplied voltage for 24v motors **must be 24v DC**. See the table below for maximum wire lengths.

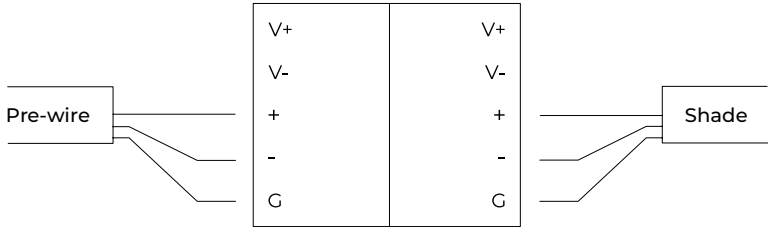
Wire Gauge (AWG)	Maximum Supported Wire Length (FT.)
14	250
16	150
18	100


If the motors are powered using a Power Distribution Enclosure connect the motors to the “+24v DC” and “-24v DC” ports on the terminal blocks. The RS485 ports are unused.



# WIRING - 110v AC - 485

## RJ45 DATA CABLE FOR DATA HUB ONLY

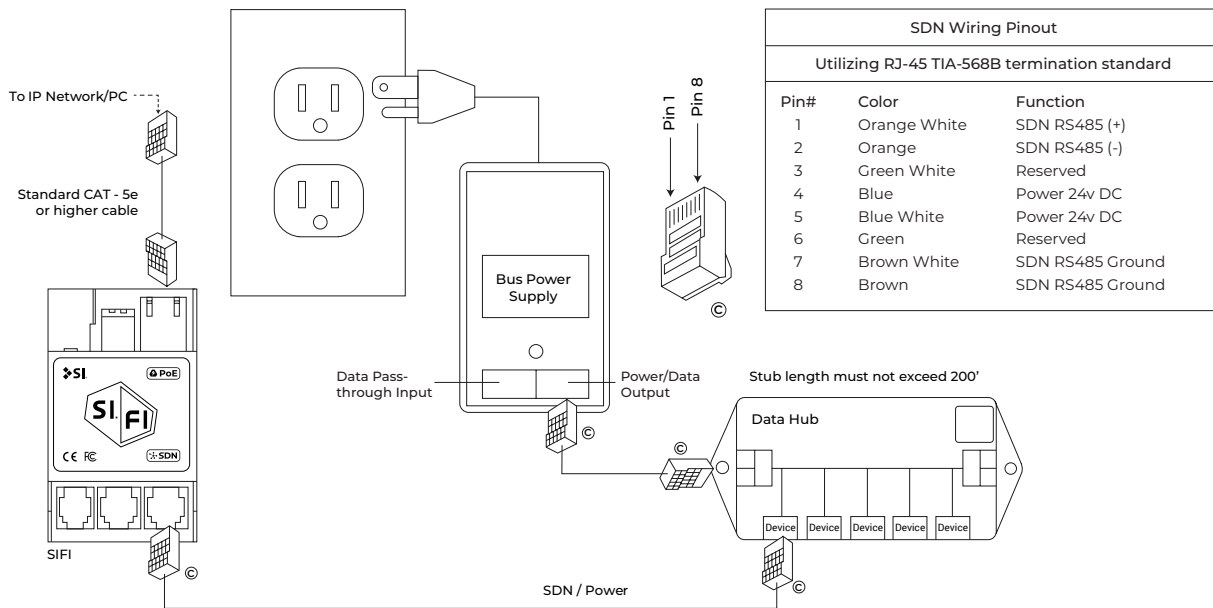


 Connect data only. DO NOT connect 110v AC power to terminal block.

# PROGRAMMING - 485

485 shades are programmed using the Screen Innovations SIFI via the web interface. This programming can be done with a Windows or Mac computer either over LAN or wired directly to SIFI. The following instructions are for a Windows computer, but the steps for programming on a Mac are very similar. For a complete guide to program SIFI on a Mac, please visit our website. Before attempting to program any motors with SIFI, verify that the firmware is up to date. To adjust the lower limit of an 485 shade, follow the steps below.

Connect SIFI as shown below.



1. Launch Windows File Explorer
2. Click on the "Network" tab
3. Double click on the SIFI, the default web browser will launch
4. At the landing page, click the three lines in the top right corner, then click "Settings"
5. Select the "485" tab on the top left
6. Press the spyglass to auto discover motors on the 485 network (may have to press it more than once)
7. Click on the motor you want to program
8. Name the motor
9. Right click on the down limit count
10. Move the shade up or down using the buttons in the popup window
11. Click set to confirm the limit
12. Operate the shade up and then back down to verify the position of the limit

# PROGRAMMING - RTS

## PROGRAMMING STEPS (must follow in order)

**Step 1: Fine tune lower limit**

**Step 2: Assign shades to groups**

**Step 3: Pair groups to control system (Mylink, LinkPro)**

**⚠ Warning: Do not attempt to use any installation remote until all the shades are installed.**

Each RTS Nano shade includes an installation remote that is used to adjust limits and program group controls. These installation remotes are uniquely numbered to the shade they are paired with. The lower limit of every shade is preprogrammed to ½" from the bottom of the window. After installing each shade, follow these steps to adjust the lower limit:

### STEP 1 - Fine tuning lower limit :

1. Beginning with the first shade, pull plastic tab from remote and press ▽ allowing shade to run to lower limit set at the factory.
2. When shade has stopped, adjust the lower limit by holding △ and ▽ simultaneously until the shade jogs.
3. Use △ or ▽ to move the shade to the desired lower limit.
4. Hold the "My" button until the shade jogs again.
5. Repeat this procedure at each window until all shades have lower limits set to desired positions.

### STEP 2 - Assign shades to groups :

Next, program group controls. To pair with a permanent transmitter such as a multichannel Telis or DecoFlex, follow these steps.

1. Press and hold the program button on the back of the installation remote until the shade jogs.
2. Select the channel where you want to create a group, then bump (do not hold down) the program button on the back of the remote - the shade will jog.
3. Both remotes now control the shade.
4. Continue doing this with each shade until all shades are programmed in the desired groups.

Installation Remote



hold the button until the shade jogs (light on the motor turns green).

Permanent Remote




Bump (do not hold)

**NOTE: Each RTS motor can be paired with 12 unique transmitters.**


### STEP 3 - Pair Groups to control system (LinkPro, myLink) :

1. Download the myLink app.
2. Pair the grouped shades with LinkPro or MyLink according to the instructions in the myLink app.

Problem	Possible Cause	Action to Take
<b>For 485</b>		
Shade won't operate.	Motor is not powered.	Have an electrician or approved personnel verify 110v AC to the shade.
	Incorrect or poor cable termination.	Check the wire pinouts and termination. Look for broken, loose, or damaged wires. Reterminate if necessary.
	SIFI is not powered.	To verify the si.fi is powered look for a green LED flashing on the board, this light will either be steady on or flashing. If no light is visible make sure power is available via the bus power supply or PoE.
	SIFI is not on the local network.	Use the service keypad (if available) to validate the 485 network and motors are operating properly before troubleshooting SI.FI network problems. Check that the SIFI is communicating on the local network. Ping the device via the windows command prompt, or make sure the device shows up in the network tab of the Windows File Explorer.
 <p>Please use this QR Code to access the updated installation instructions and related documents.</p>		<p><b>Technical Support:</b> 512.832.6939   <a href="http://screeninnovations.com">screeninnovations.com</a></p> <p><b>Hours of Support:</b> 7:30am - 5pm CST   <a href="mailto:support@screeninnovations.com">support@screeninnovations.com</a></p>

# TROUBLESHOOTING - RTS

Tech Support:  
512.832.6939

Problem	Possible Cause	Action to Take
<b>For RTS</b>		
Shade won't operate.	Motor is not powered.	When the battery of a wire free motor is low the user is notified by a series of red led flashes visible on the left end cap. These flashes will only occur after a command has been given. If the motor is low or dead, the charging cord can be plugged in and the shade will operate while charging.
	Remote button presses are too short.	When operating an RTS remote hold the buttons down for at least 2 seconds.
	The remote is being used out of range.	Move within 30ft. of the shade. If the issue persists, adjust the antenna to a new position, and make sure the antenna does not touch metal.
	The remote battery is out of place or drained.	Check that the red LED on the remote flashes when buttons are pressed. On the installation remote, pry off the back by hand and ensure the battery is fully seated in the battery tray. If the remote remains unresponsive, replace the battery with a CR2430 3V lithium cell.
Green LED light is flashing - shade is not operating properly (WireFree only).	The motor is in programming mode.	Briefly click the program button on the back of the installation remote. The green light will turn off and the shade will return to user mode.
		OR
		Move the shade to the lower limit by holding the up or down button. Hold the "My" button until the screen jogs - the green LED will stop flashing.
 Please use this QR Code to access the updated installation instructions and related documents.		<b>Technical Support:</b> 512.832.6939   <a href="http://screeninnovations.com">screeninnovations.com</a> <b>Hours of Support:</b> 7:30am - 5pm CST   <a href="mailto:support@screeninnovations.com">support@screeninnovations.com</a>

# SERIAL NO.S

Please keep a note of all the Serial No.s on your shade motors. OR for larger shade orders, refer to your Sales Order document for the list.

Room

Shade 1

Shade 2

Shade 3

Shade 4

Room

Shade 1

Shade 2

Shade 3

Shade 4



**Screen Innovations**

9715-B Rd, Suite 400 Austin, TX 78758

512.832.6939

[www.screeninnovations.com](http://www.screeninnovations.com)