

Nano Roll

Installation Instructions

WIREFREE - ZIGBEE / RTS



INSTALLERS: Please leave this manual with the owner.

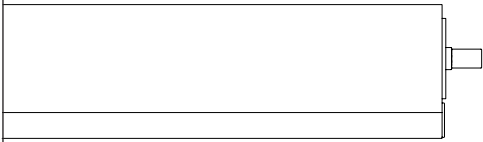


TABLE OF CONTENTS

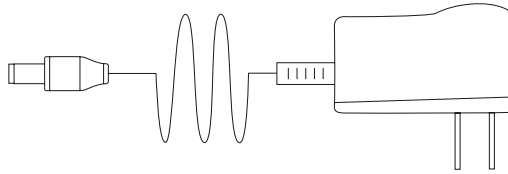
| | |
|--|--------|
| PARTS LIST - NANO ROLL - 275 - WIREFREE | 2 |
| PARTS LIST - NANO ROLL - 375 - WIREFREE | 3 |
| SPACER BLOCKS AND LEVELING SHIMS..... | 4 |
| INSTALLATION - NANO ROLL - 275 - WIREFREE..... | 5 - 7 |
| INSTALLATION - NANO ROLL - 375 - WIREFREE..... | 8 - 13 |
| PROGRAMMING ZIGBEE | 14 |
| TROUBLESHOOTING ZIGBEE | 15 |
| PROGRAMMING RTS | 16 |
| TROUBLESHOOTING RTS..... | 17 |
| MOTOR SERIAL NO.S | 18 |

PARTS LIST - NANO ROLL - 275 - WIREFREE

Shades (275 Roll)

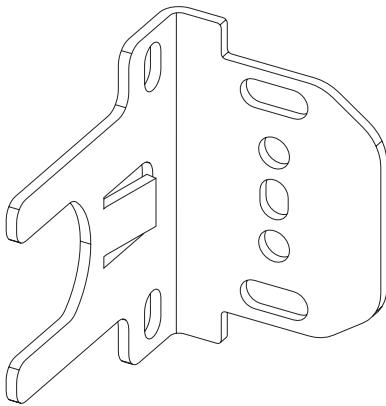


Charger

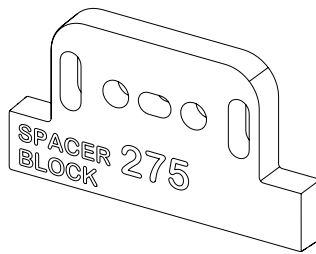


Please note all the Serial No.s on your Shade motors.
See the last page on these instructions.

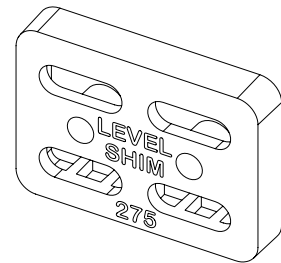
Wall Brackets



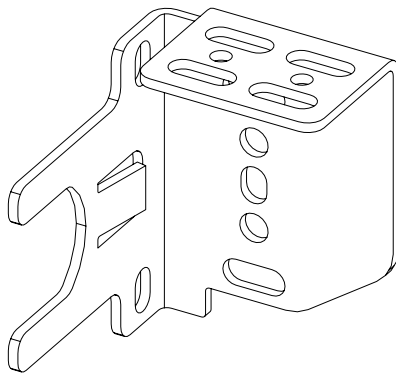
Spacer Blocks (optional)



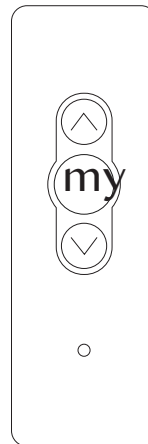
Leveling Shims (optional)



Ceiling Brackets



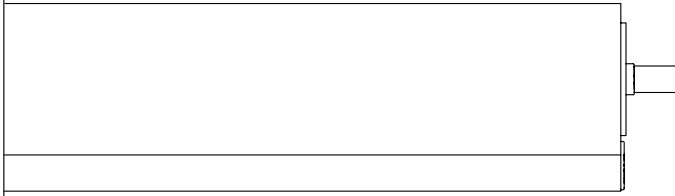
Installation Remote (1 per shade)



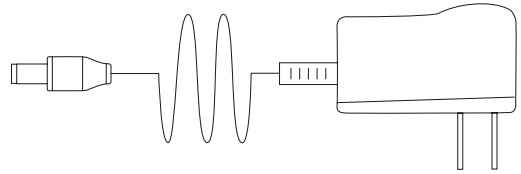
Screws Included (3 per Bracket)

PARTS LIST - NANO ROLL - 375 - WIREFREE

Shades (375 Roll)



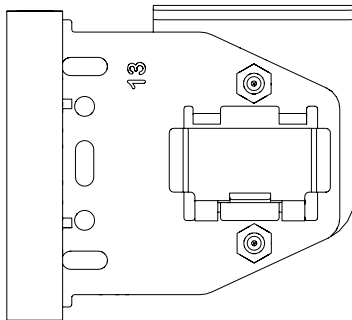
Charger



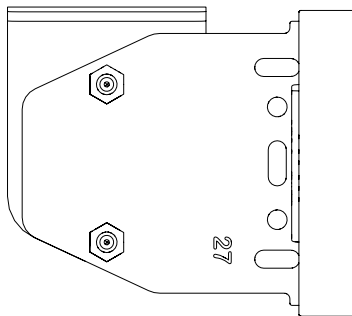
Please note all the Serial No.s on your Shade motors. See the last page on these instructions.

Spacer Blocks and Leveling Shims (optional)

Wall Brackets (375)

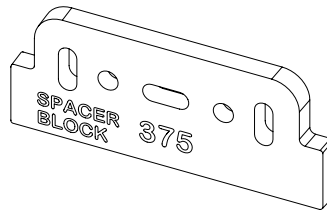


Motor Side

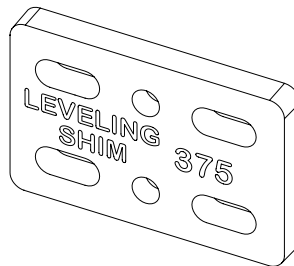


Idler Side

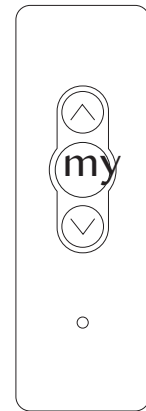
Spacer Blocks (optional)



Leveling Shims (optional)

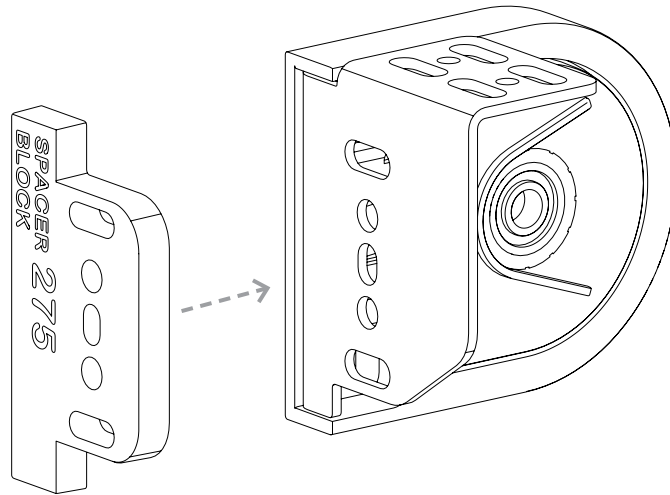


Installation Remote (1 per shade)



SPACER BLOCKS AND LEVELING SHIMS (OPTIONAL)

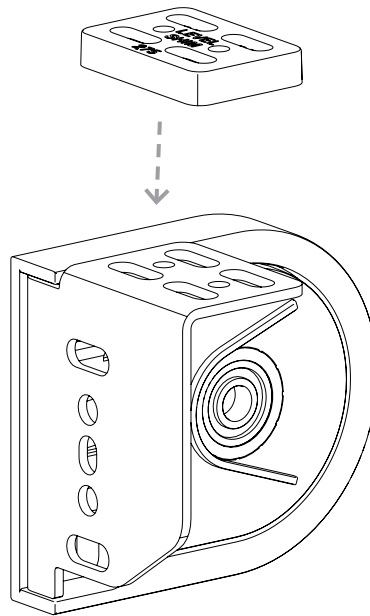
Spacer Blocks - used to clear an obstruction in the fabric path.



Connect spacer blocks to shade brackets before installation

Note: Do not use more than 4 Spacer blocks per bracket.

Leveling Shims - used if the window frame is out of level.

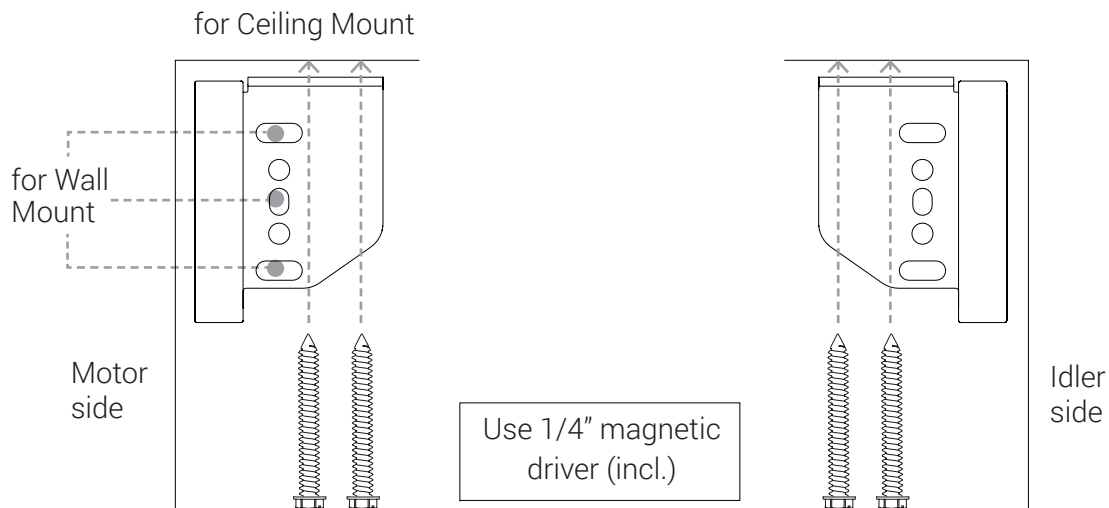


Connect to shade brackets before installation

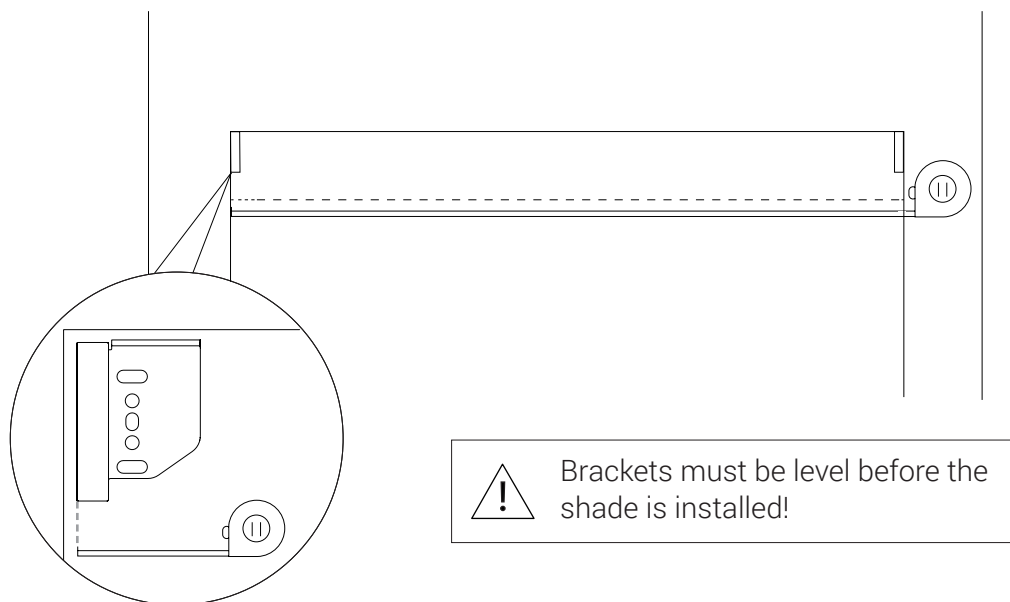
Note: do not use more than 2 leveling shims per bracket.

INSTALLATION - NANO ROLL - 275 - WIREFREE

1. Install the wall bracket / end cap assemblies with the supplied screws

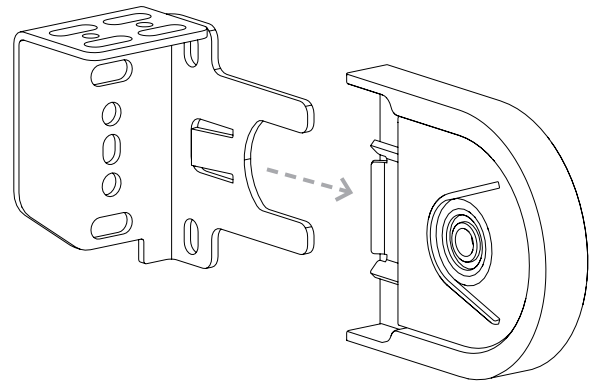
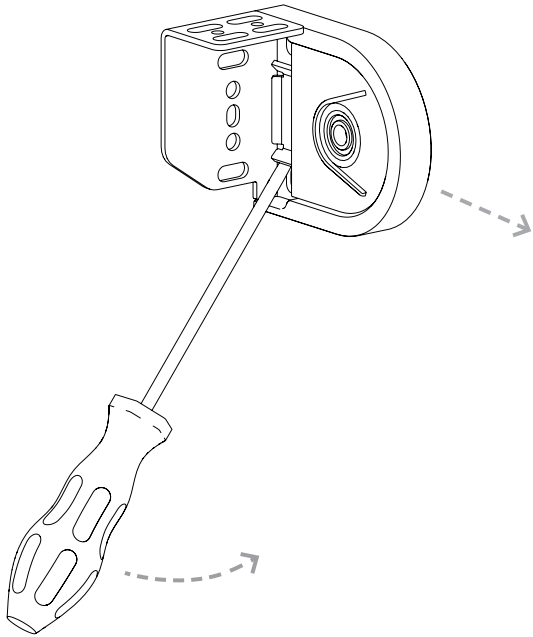


2. Measure the bracket to bracket width and verify it matches the ordered width. Adjust accordingly



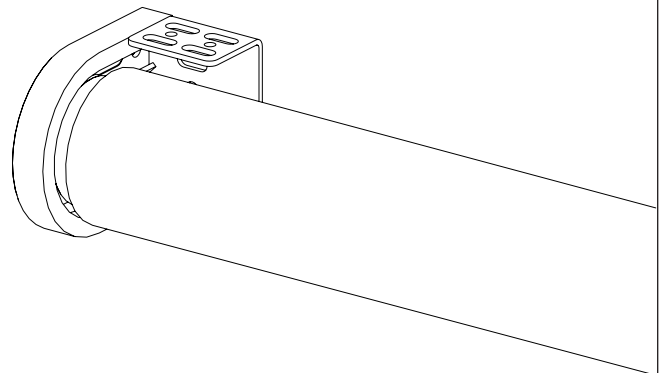
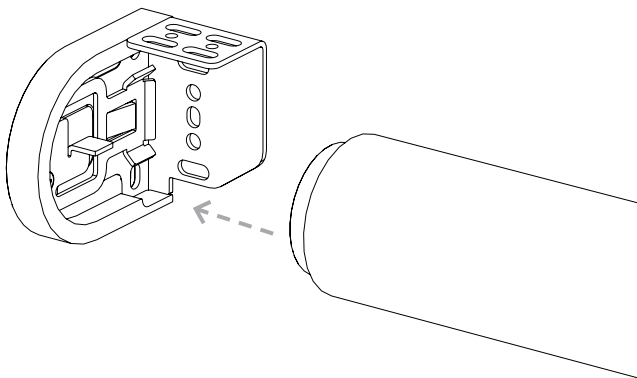
INSTALLATION - NANO ROLL - 275 - WIREFREE

3. Remove the idler end cap with flat bladed screw driver



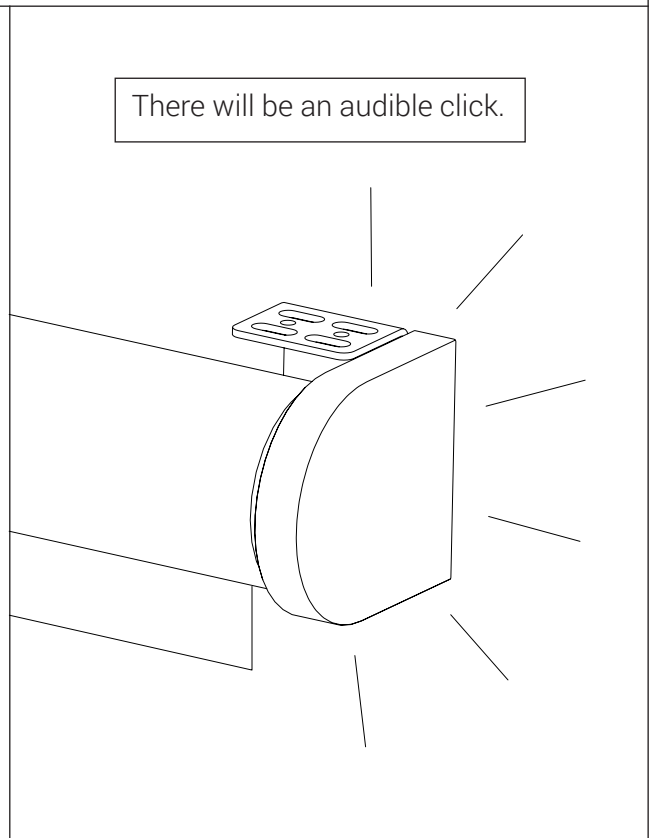
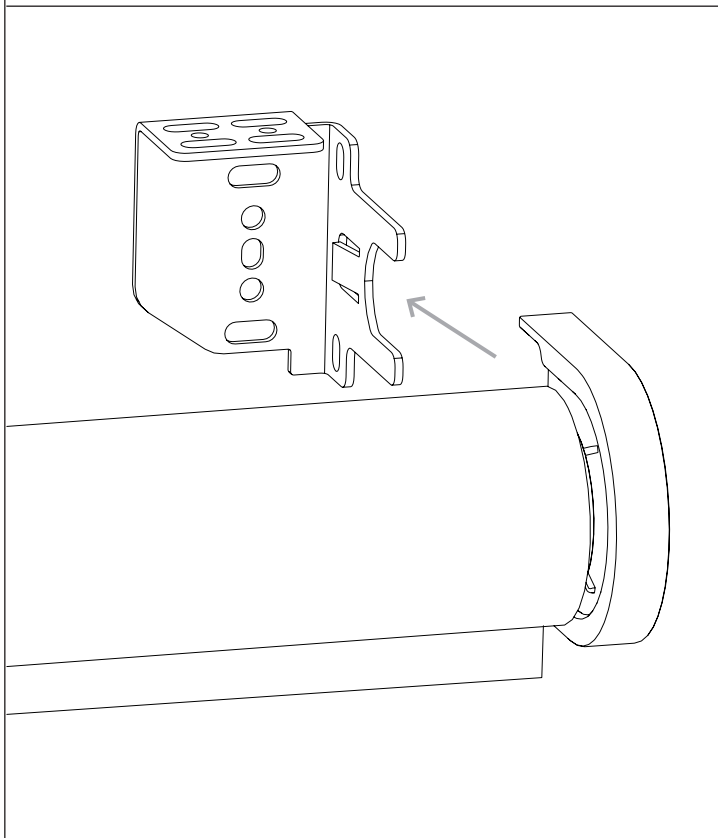
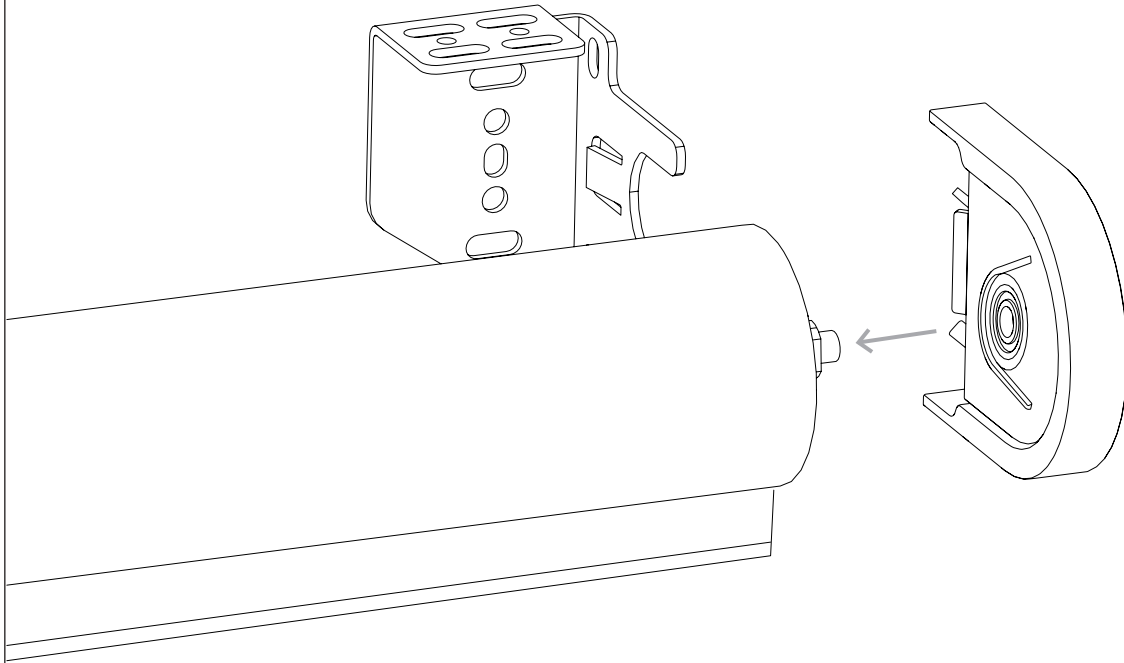
4. Insert motor side completely.

NOTE: When installing, the shade should be at the upper limit.

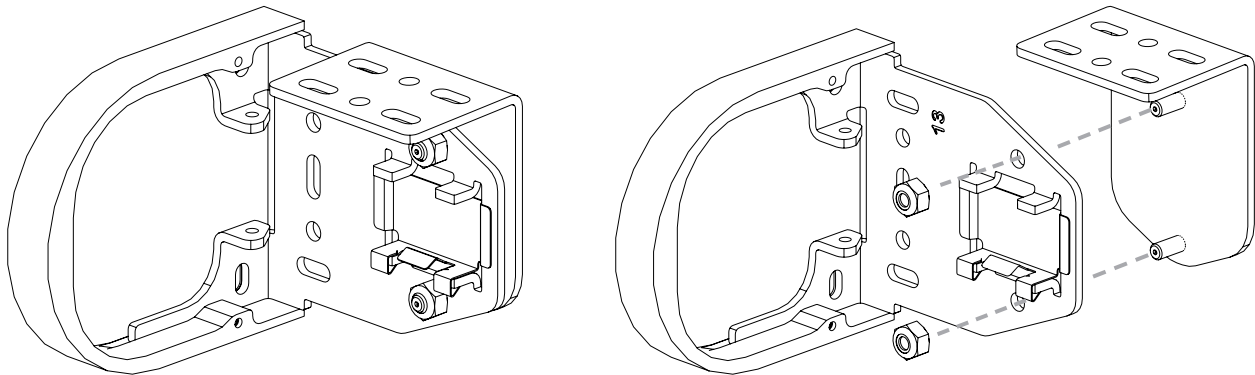


INSTALLATION - NANO ROLL - 275 - WIREFREE

5. Then, while supporting motor side, put idler end cap over the idler and snap into place.

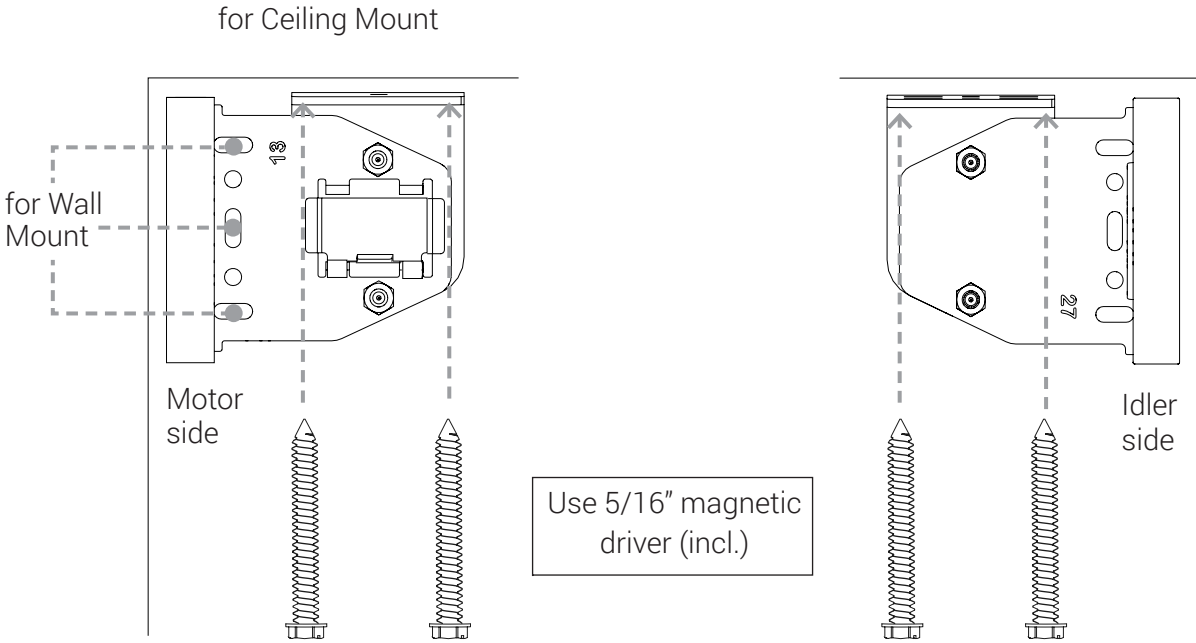


INSTALLATION - NANO ROLL - 375 - WIREFREE



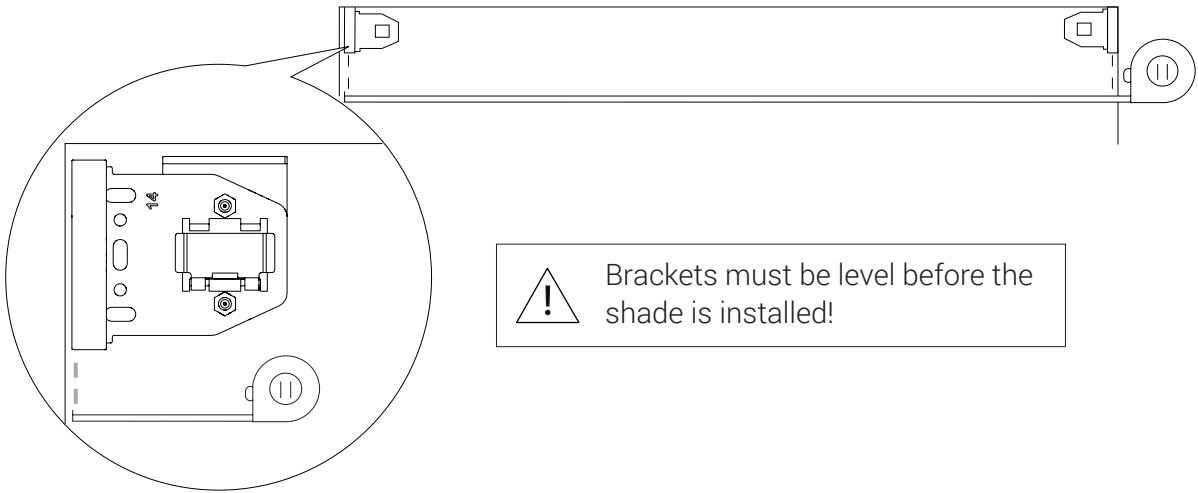
NOTE: If mounting to a wall, remove the ceiling flange from motor and idler brackets.

1. Install wall bracket/end cap assembly with the supplied screws



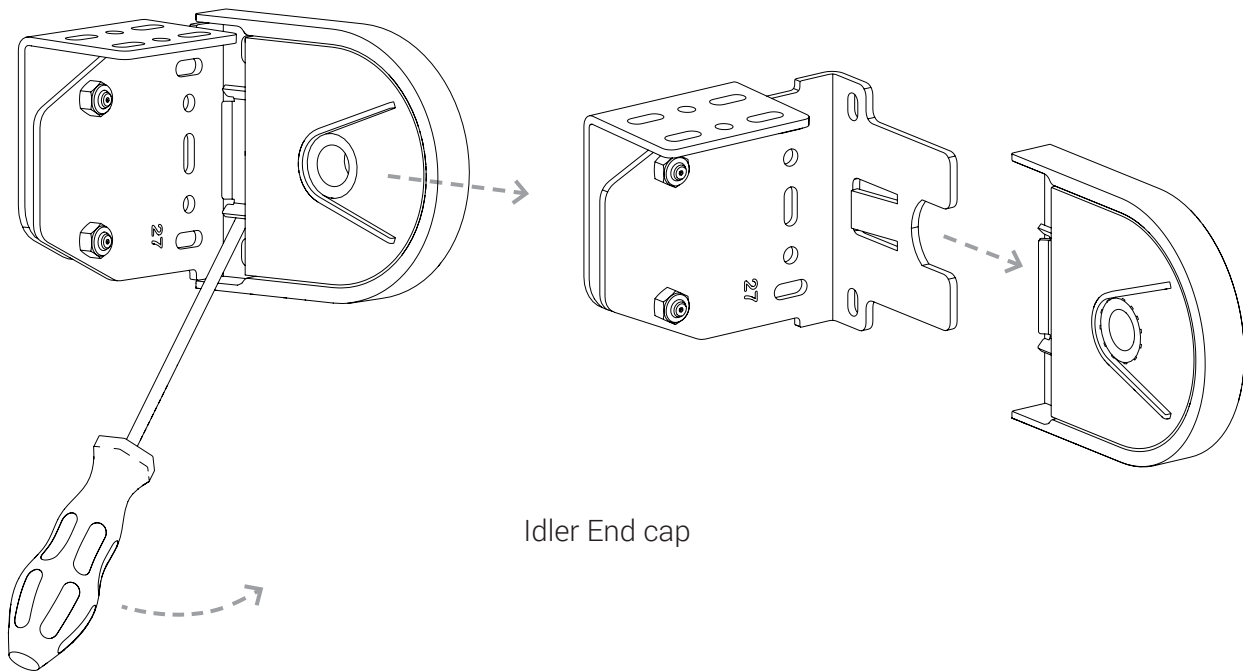
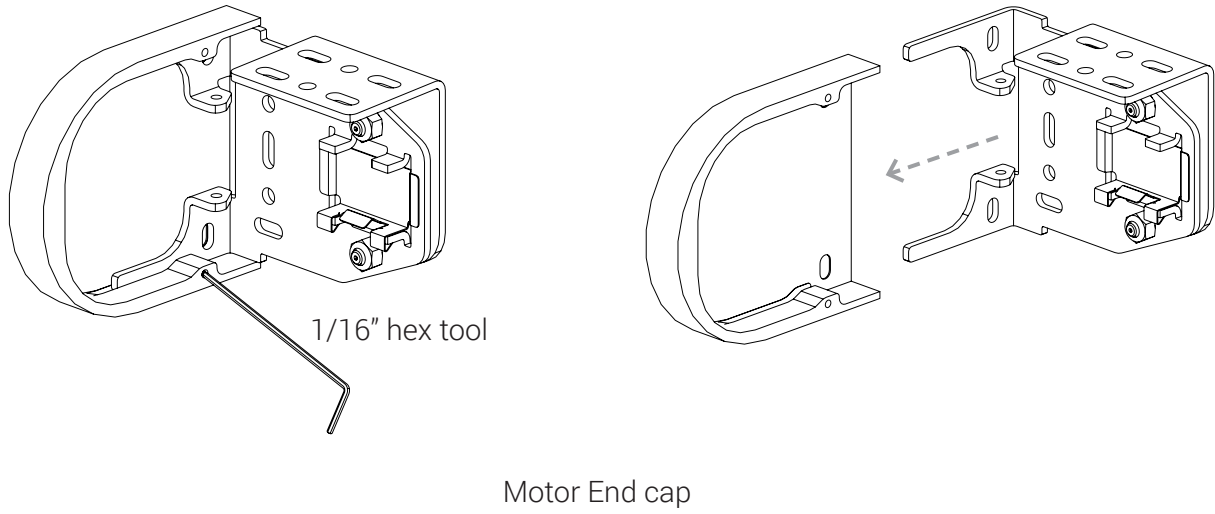
INSTALLATION - NANO ROLL - 375 - WIREFREE

2. Measure bracket to bracket width and verify it matches the ordered width. Adjust accordingly.



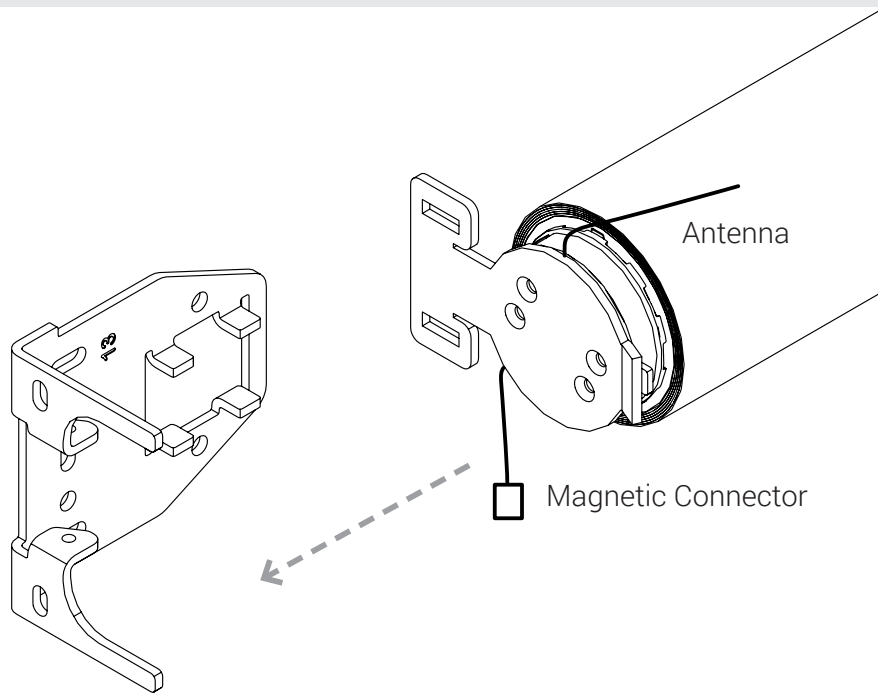
INSTALLATION - NANO ROLL - 375 - WIREFREE

3. Remove both end caps

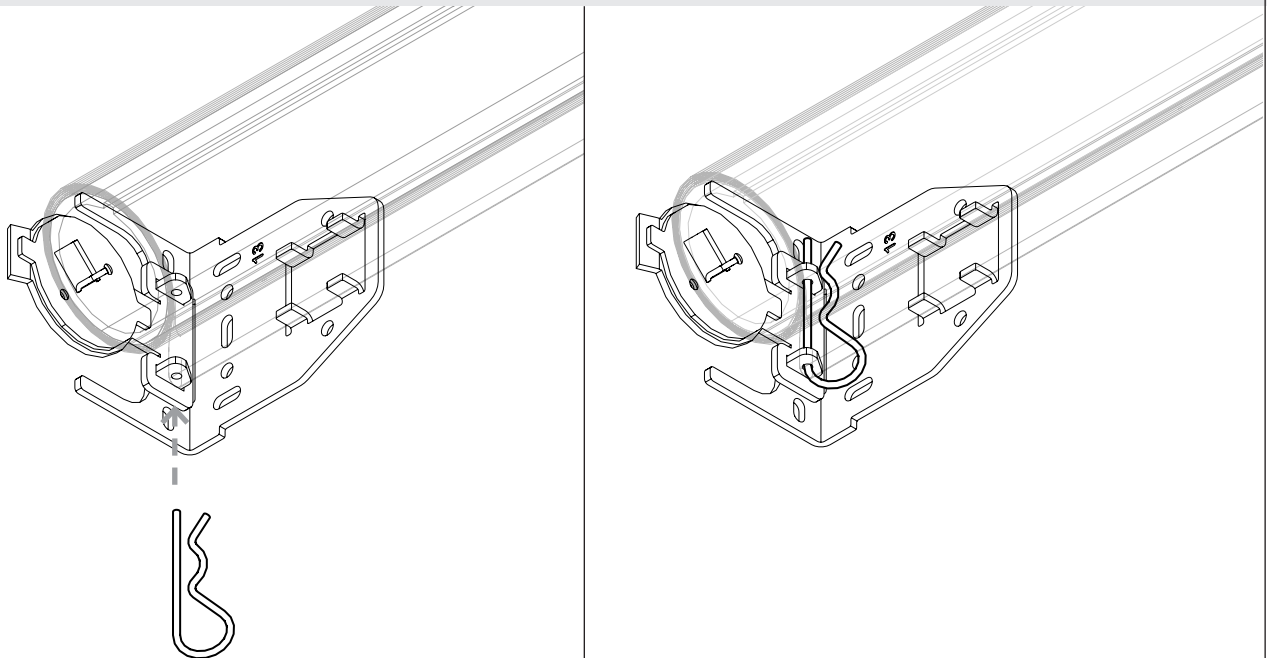


INSTALLATION - NANO ROLL - 375 - WIREFREE

4. Align and insert the motor side.

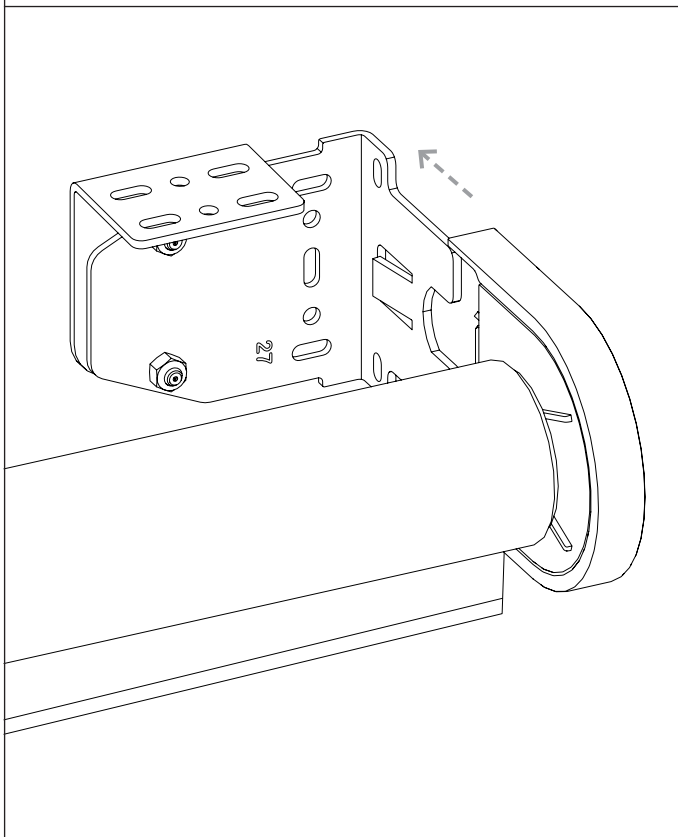
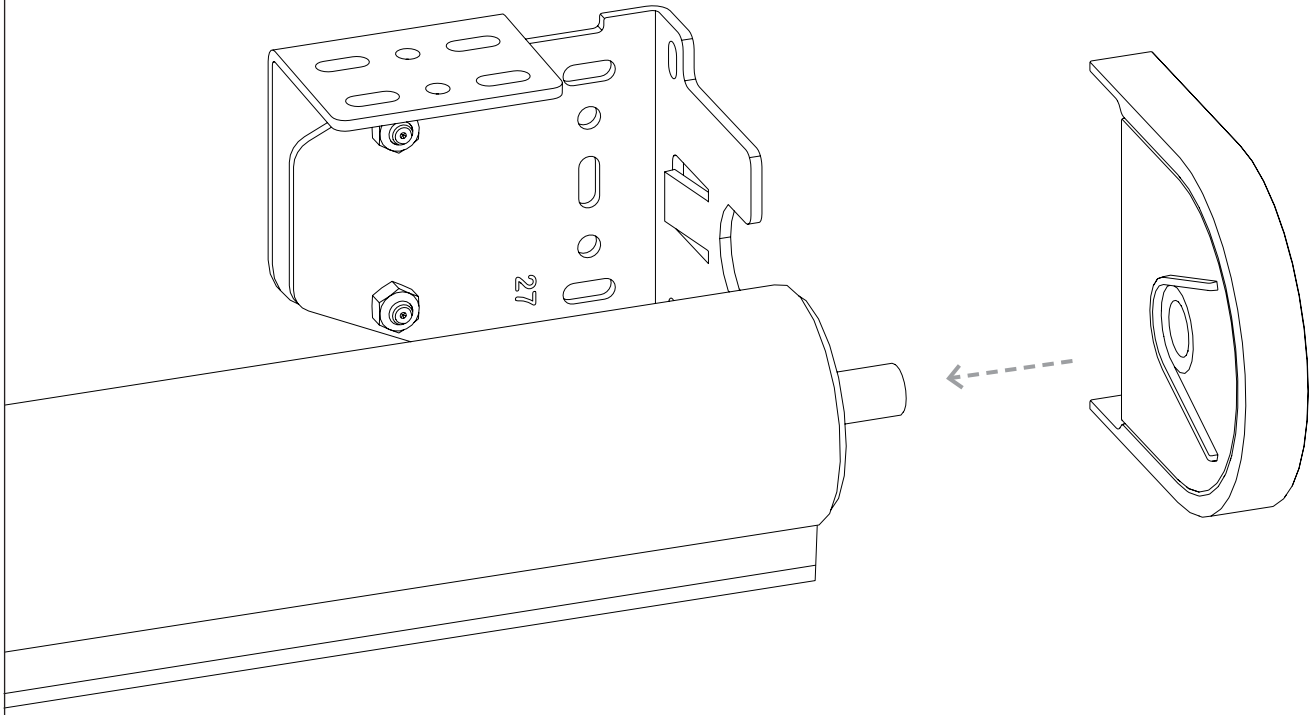


5. Make sure the motor head bracket is fully seated. Secure with cotter pin.

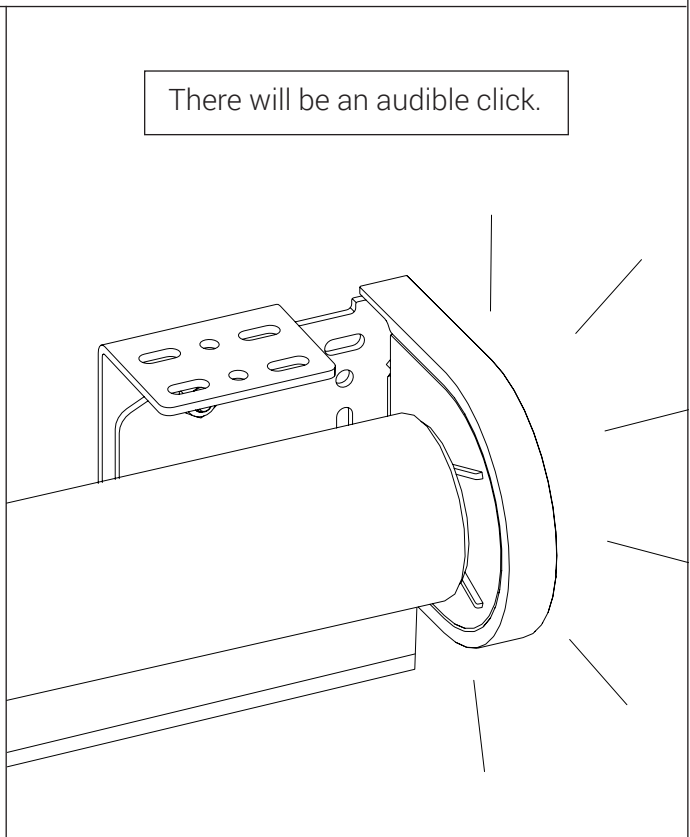


INSTALLATION - NANO ROLL - 375 - WIREFREE

6. Put idler end cap over idler and snap into place.



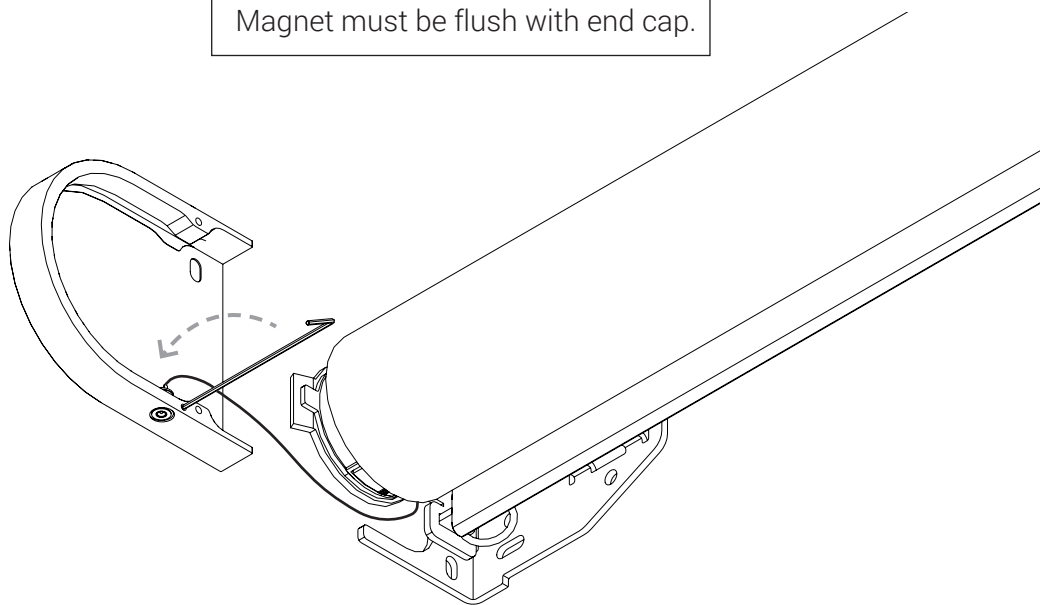
There will be an audible click.



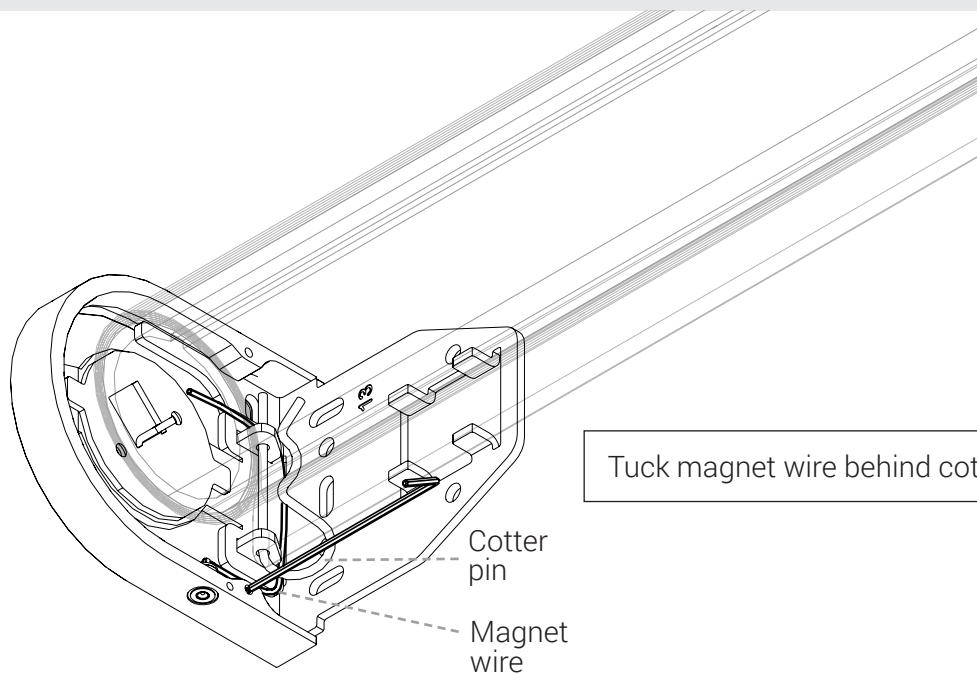
INSTALLATION - NANO ROLL - 375 - WIREFREE

7. Install magnetic connector into end cap and fasten with 0.050" hex tool (incl.)

Magnet must be flush with end cap.



8. Install end cap and fasten with 0.125" hex tool (incl.). Route magnetic connector wire behind cotter pin and away from fabric roll.



Tuck magnet wire behind cotter pin.

PROGRAMMING - ZIGBEE

PROGRAMMING STEPS

(TaHoma/LinkPro Z must be plugged in and on the network)

Step 1: Fine tune lower limit.

Step 2: Assign shades to groups and remotes.

Step 3: Pair devices and groups with remotes.

The lower limit of every shade is preprogrammed to 1/2" from the bottom of the window. After installing each shade, follow these steps to adjust the lower limit:

STEP 1 - Fine tuning lower limit :

1. Click on the 3 dots in the lower right hand corner of the TaHoma app.
Note: You may see a pop-up warning window which could damage the shade.
2. In settings click on advanced settings.
3. Select the shade you want to set the limits to.
4. You only want to select and adjust the lower limit.
Note: Do not set upper limit or change rotation.
5. Press the down button in the app to move the shade to the Factory set lower limit.
6. Click Next.
7. Now make up or down adjustments to shade using the Up / Down increments. Each (button press) adjustment can take a couple seconds, to execute. Once you are satisfied with the new lower limit, press save Limit.

STEP 2 - Assign shades to groups :

All grouping of devices is completed within the TaHoma application:

1. Open the TaHoma application and navigate to the configuration tab.
2. Press the + symbol in the upper right corner.
3. Choose the Zigbee device type.
4. Select "Add Zigbee Group".
5. Label the group.
6. Select the devices you would like to be included in this group.

STEP 3 - Pair devices or groups with a remote:

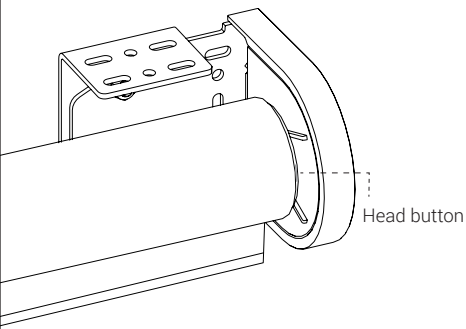
All pairing of devices and groups to remotes is completed within the TaHoma application. In order to pair more than one shade to a channel, a group must be created first.

1. Open the TaHoma application and navigate to the configuration tab.
2. Press the chain/link button next to the remote being configured.
3. Select the shade or group to pair from the list and deselect any other devices.
4. Quick press the programming button on the back of the remote and click OK in the application to confirm.

NOTE: Each Zigbee Situo remote channel will be capable of pairing to a group containing up to 20 motors.

| Problem | Possible Cause | Action to Take |
|----------------------|--------------------------------|--|
| For Zigbee | | |
| TaHoma LED is Red. | No internet connectivity. | Check network connection to the internet, and ensure the TaHoma is properly connected via ethernet or Wifi. |
| Shade won't operate. | Motor battery is low/drained. | Check the battery level of a motor via the TaHoma application. If the battery level is below 20%, the charging cord can be plugged in and the shade will operate while charging. |
| | The remote battery may be low. | Check that the green LED on the remote flashes when a button is pressed. If the LED does not flash at all, the remote may need a new CR2430 battery. |


TROUBLESHOOTING WITH SUPPORT



Head button

With our Support team guidance, you may be instructed to press the motor head button. If instructed, pressing this button for 2 seconds, can take the motor out of delivery mode and will result in 1 jog.

Note: Under no circumstances, should you hold this Head button for more than 2 jogs.



Please use this QR Code to access the updated installation instructions and related documents.

Technical Support: 512.832.6939 | screeninnovations.com

Hours of Support: 7:30am - 5pm CST | support@screeninnovations.com

PROGRAMMING - RTS

PROGRAMMING STEPS (must follow in order)

Step 1: Fine tune lower limit

Step 2: Assign shades to groups

Step 3: Pair groups to control system (Mylink, LinkPro)

⚠ Warning: Do not attempt to use any installation remote until all the shades are installed.

Each RTS Nano shade includes an installation remote that is used to adjust limits and program group controls. These installation remotes are uniquely numbered to the shade they are paired with. The lower limit of every shade is preprogrammed to ½" from the bottom of the window. After installing each shade, follow these steps to adjust the lower limit:

STEP 1 - Fine tuning lower limit :

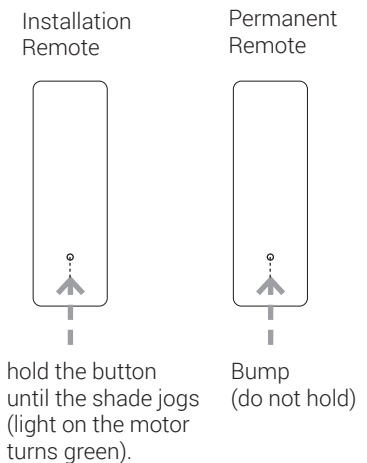
1. Beginning with the first shade, pull plastic tab from remote and press ▽ allowing shade to run to lower limit set at the factory.
2. When shade has stopped, adjust the lower limit by holding △ and ▽ simultaneously until the shade jogs.
3. Use △ or ▽ to move the shade to the desired lower limit.
4. Hold the "My" button until the shade jogs again.
5. Repeat this procedure at each window until all shades have lower limits set to desired positions.

STEP 2 - Assign shades to groups :

Next, program group controls. To pair with a permanent transmitter such as a multichannel Telis or DecoFlex, follow these steps.


1. Press and hold the program button on the back of the installation remote until the shade jogs.
2. Select the channel where you want to create a group, then bump (do not hold down) the program button on the back of the remote - the shade will jog.
3. Both remotes now control the shade.
4. Continue doing this with each shade until all shades are programmed in the desired groups.

NOTE: Each RTS motor can be paired with 12 unique transmitters.



STEP 3 - Pair Groups to control system (LinkPro, MyLink) :

1. Download the MyLink app.
2. Pair the grouped shades with LinkPro or MyLink according to the instructions in the MyLink app.

| Problem | Possible Cause | Action to Take |
|--|--|---|
| For RTS | | |
| Shade won't operate. | Motor is not powered. | When the battery of a wire free motor is low the user is notified by a series of red led flashes visible on the left end cap. These flashes will only occur after a command has been given. If the motor is low or dead, the charging cord can be plugged in and the shade will operate while charging. |
| | Remote button presses are too short. | When operating an RTS remote hold the buttons down for at least 2 seconds. |
| | The remote is being used out of range. | Move within 30ft. of the shade. If the issue persists, adjust the antenna to a new position, and make sure the antenna does not touch metal. |
| | The remote battery is out of place or drained. | Check that the red LED on the remote flashes when buttons are pressed. On the installation remote, pry off the back by hand and ensure the battery is fully seated in the battery tray. If the remote remains unresponsive, replace the battery with a CR2430 3V lithium cell. |
| Green LED light is flashing - shade is not operating properly (WireFree only). | The motor is in programming mode. | Briefly click the program button on the back of the installation remote. The green light will turn off and the shade will return to user mode. |
| | | OR |
| | | Move the shade to the lower limit by holding the up or down button. Hold the "My" button until the screen jogs - the green LED will stop flashing. |
|  Please use this QR Code to access the updated installation instructions and related documents. | | Technical Support: 512.832.6939 Hours of Support: 7:30am - 5pm CST |
| | | screeninnovations.com support@screeninnovations.com |

MOTOR SERIAL NO.S

Please keep a note of all the Serial No.s on your shade motors. OR for larger shade orders, refer to your Sales Order document for the list.

Room

Shade 1

Shade 2

Shade 3

Shade 4

Shade 5

Shade 6

Room

Shade 1

Shade 2

Shade 3

Shade 4

NOTES

1. _____

2. _____

3. _____

4. _____

5. _____

6. _____

7. _____

8. _____

9. _____

10. _____

11. _____

12. _____

13. _____

14. _____

15. _____

16. _____

17. _____

18. _____

NOTES

1. _____

2. _____

3. _____

4. _____

5. _____

6. _____

7. _____

8. _____

9. _____

10. _____

11. _____

12. _____

13. _____

14. _____

15. _____

16. _____

17. _____

18. _____



Screen Innovations

9715-B Burnet Rd, Suite 400 Austin, TX 78758

512.832.6939

www.screeninnovations.com