

Nano Roll

Installation Instructions

24v DC - 485

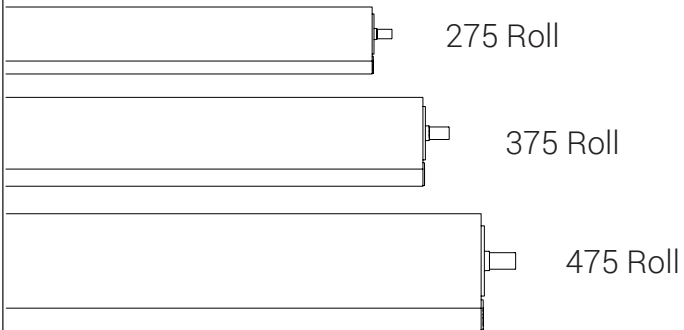


INSTALLERS: Please leave this manual with the owner.

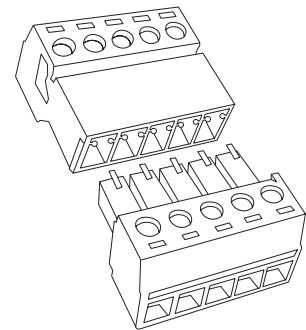


PARTS LIST - NANO ROLL - 24v DC - 485

Shades

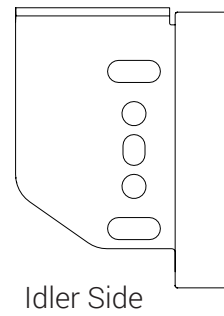
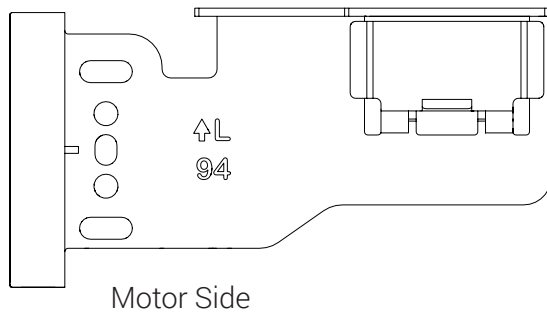


Terminal Blocks



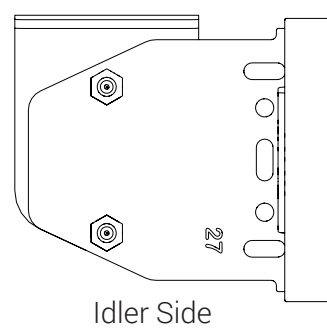
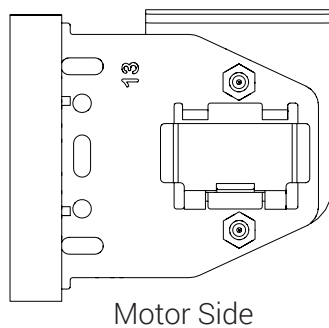
Please note all the Node IDs on your Shade motors. See the last page on these instructions.

Wall Brackets (275) + End Caps



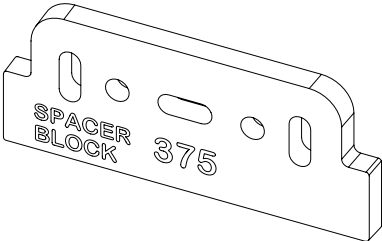
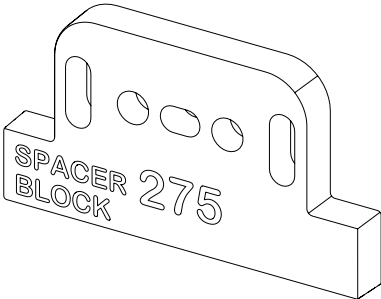
Screws included (3 per bracket)

Wall Brackets (375 / 475) + End Caps

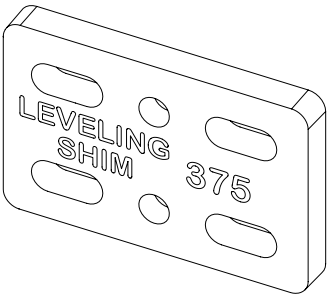
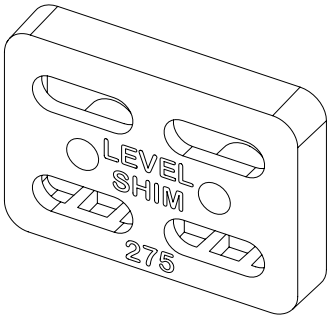


PARTS LIST - NANO ROLL - 24v DC - 485

Spacer Blocks (optional)

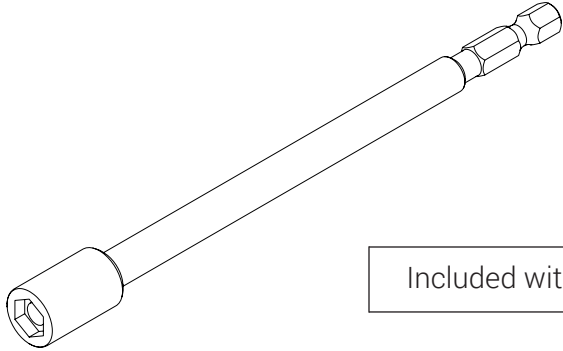


Leveling Shims (optional)



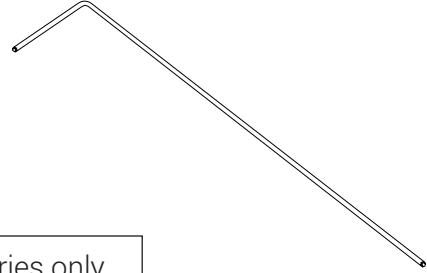
ADDITIONAL ACCESSORIES

5/16" Magnetic Driver

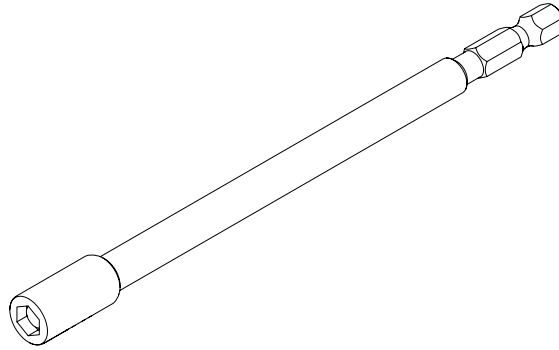


Included with 375 / 475 series only

Set Screw Hex Tool (1/16")



1/4" Magnetic Driver

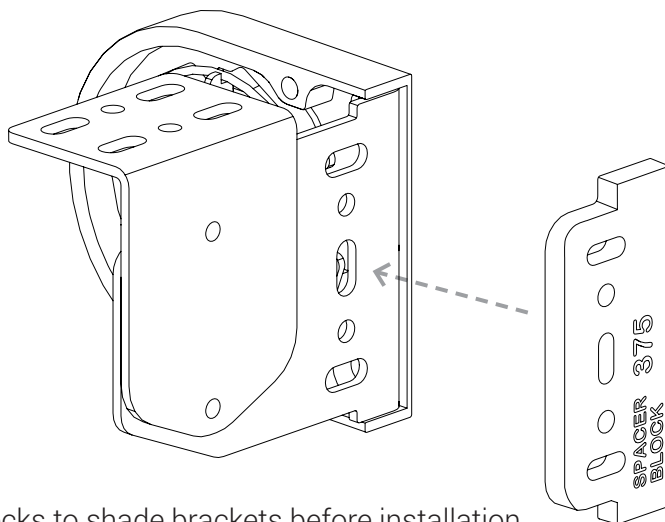


Included with 275 series only

Note: For more information about these tools and their use, please call Tech Support at 512.832.6939 Opt. 1

SPACER BLOCKS AND LEVELING SHIMS (OPTIONAL)

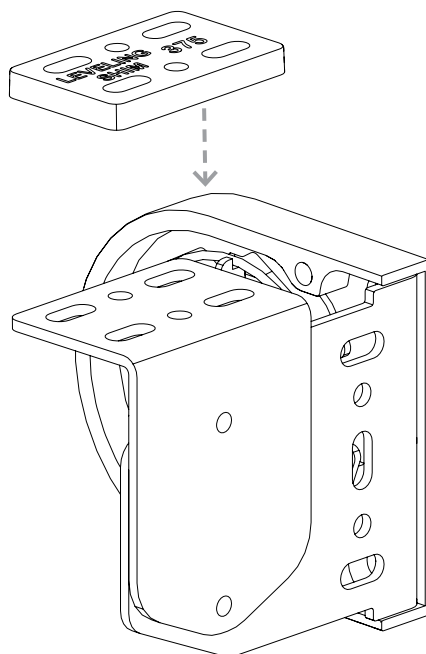
Spacer Blocks - used to clear an obstruction in the fabric path.



Connect spacer blocks to shade brackets before installation.

Note: Do not use more than 4 spacer blocks per bracket.

Leveling Shims - used if the window frame is out of level.



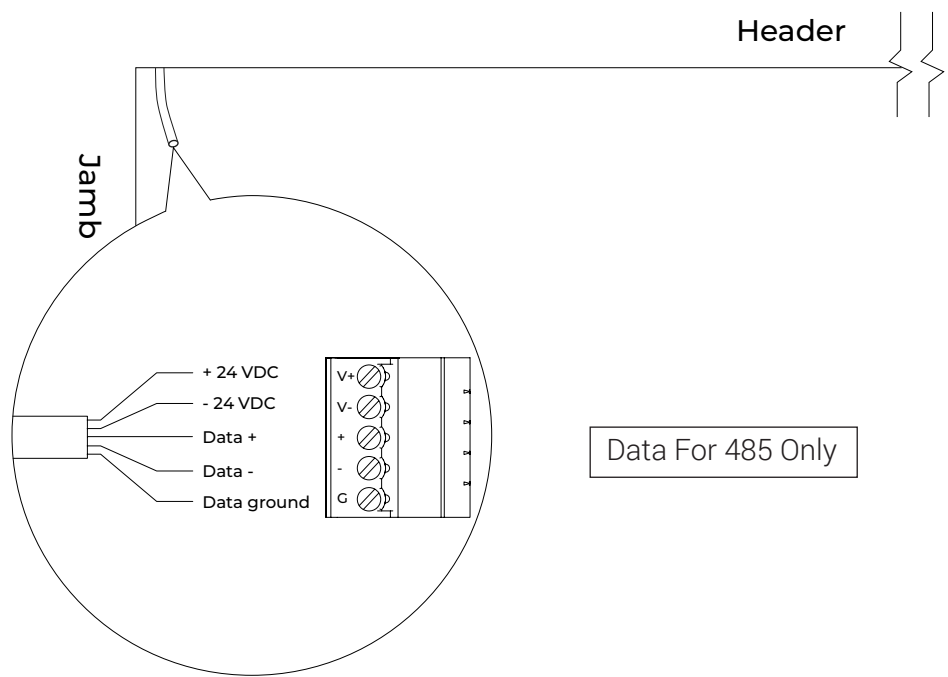
Connect to shade brackets before installation

Note: Do not use more than 2 leveling shims per bracket.

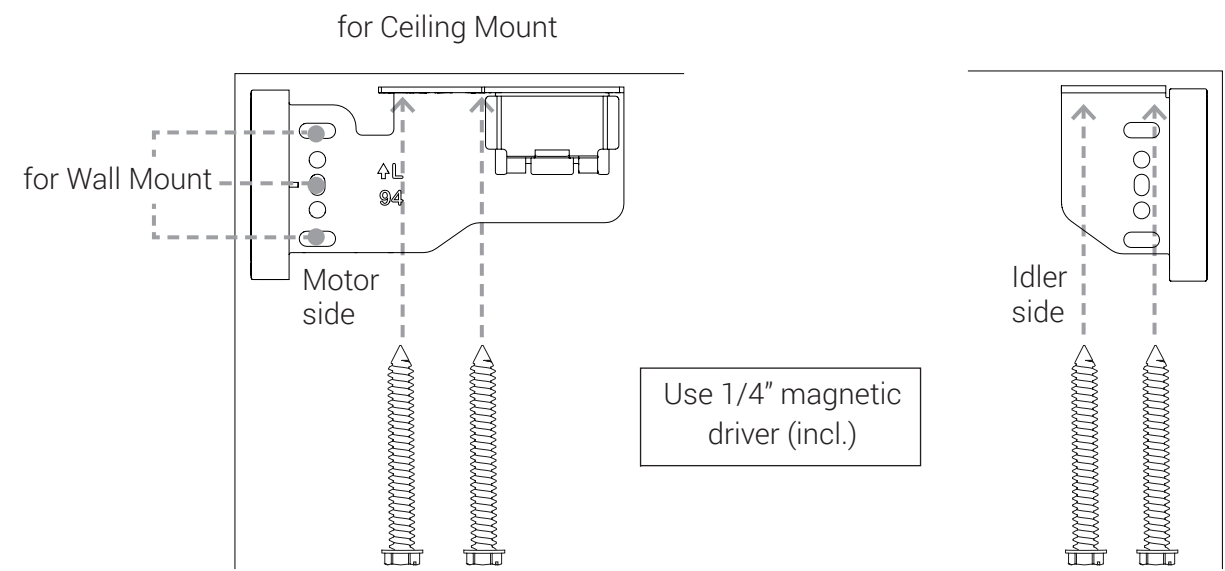
INSTALLATION - 24v DC - 485 (275 SERIES)

Before installing the shades, verify whether the shade was ordered as standard roll or reverse roll. Though illustrations in this manual show standard roll shades, the installation for reverse roll shades is the same.

1. Terminate pre-wire with terminal block

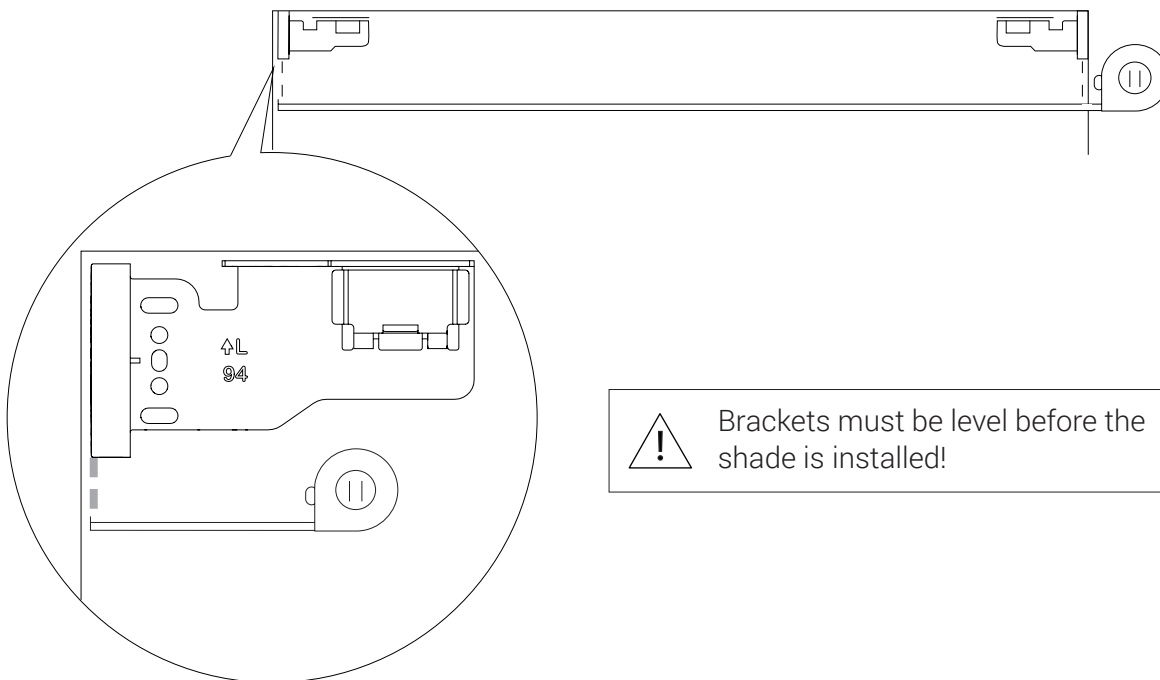


2. Install wall bracket/end cap assembly with the supplied screws

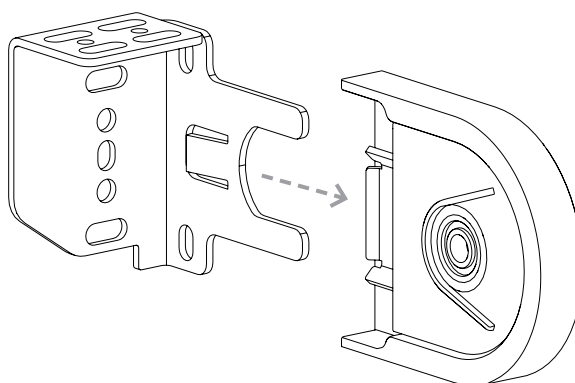
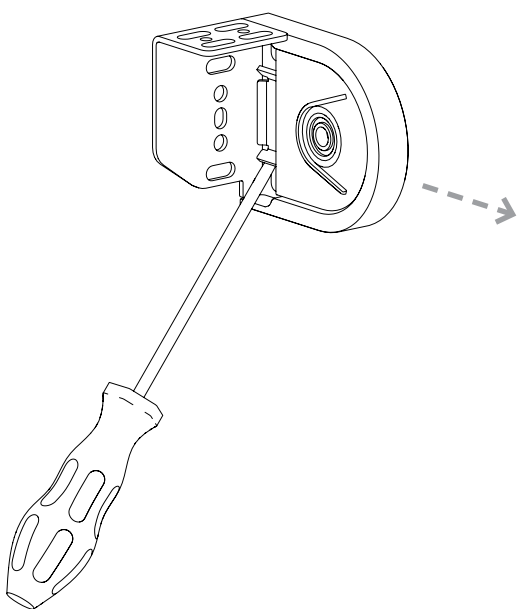


INSTALLATION - 24v DC - 485 (275 SERIES)

3. Measure bracket to bracket width and verify it matches the ordered width. Adjust accordingly.

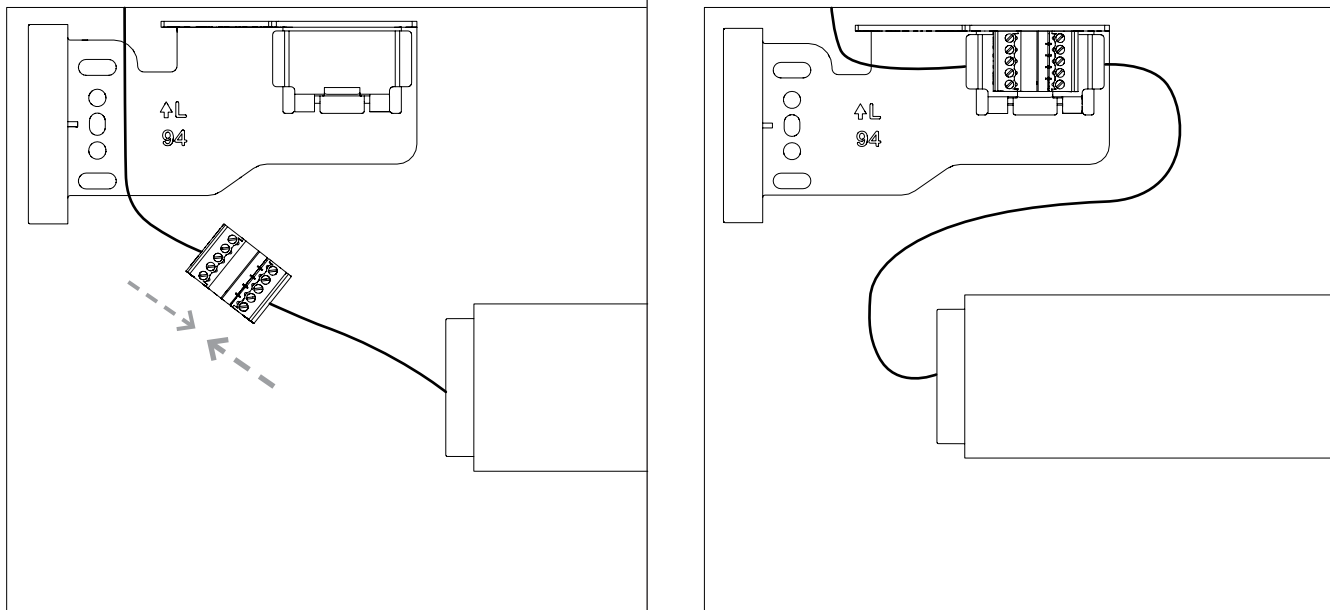


4. Remove idler end cap with flat screw driver



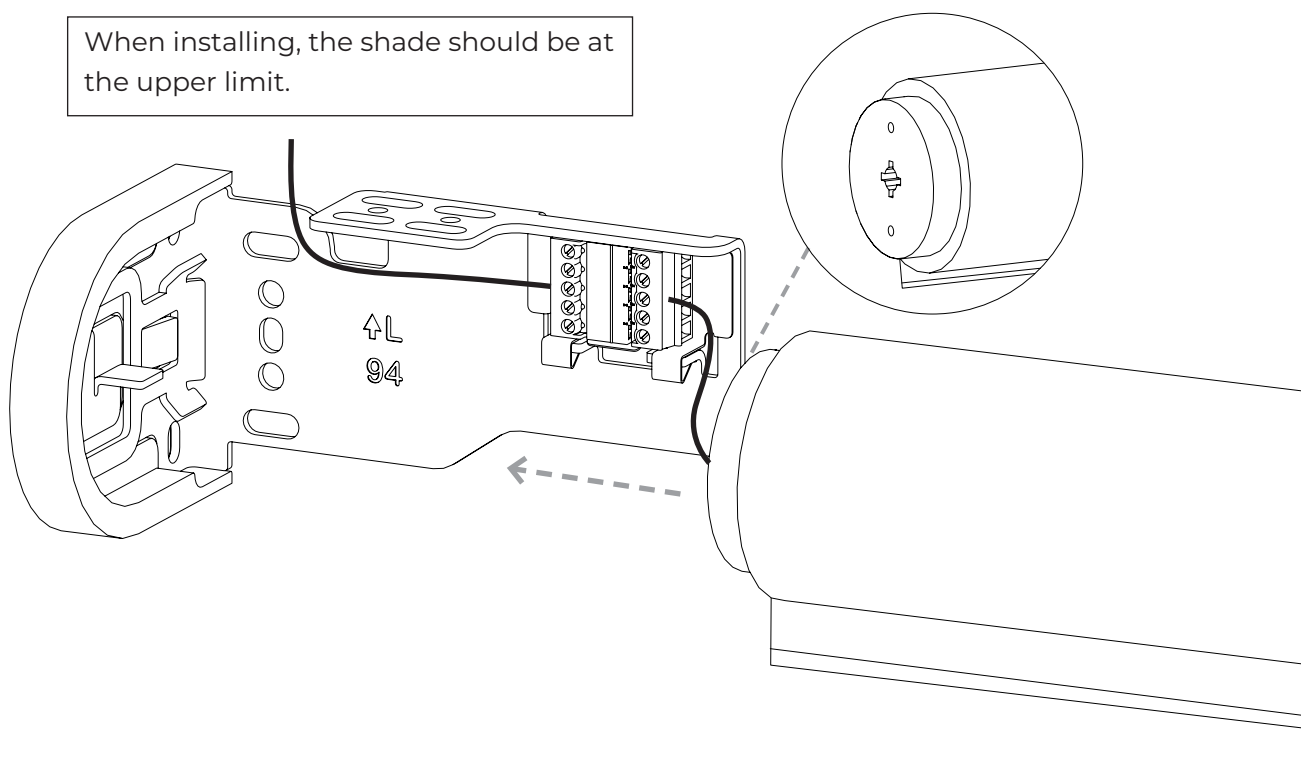
INSTALLATION - 24v DC - 485 (275 SERIES)

5. Connect shade and pre-wire connectors, snap into bracket

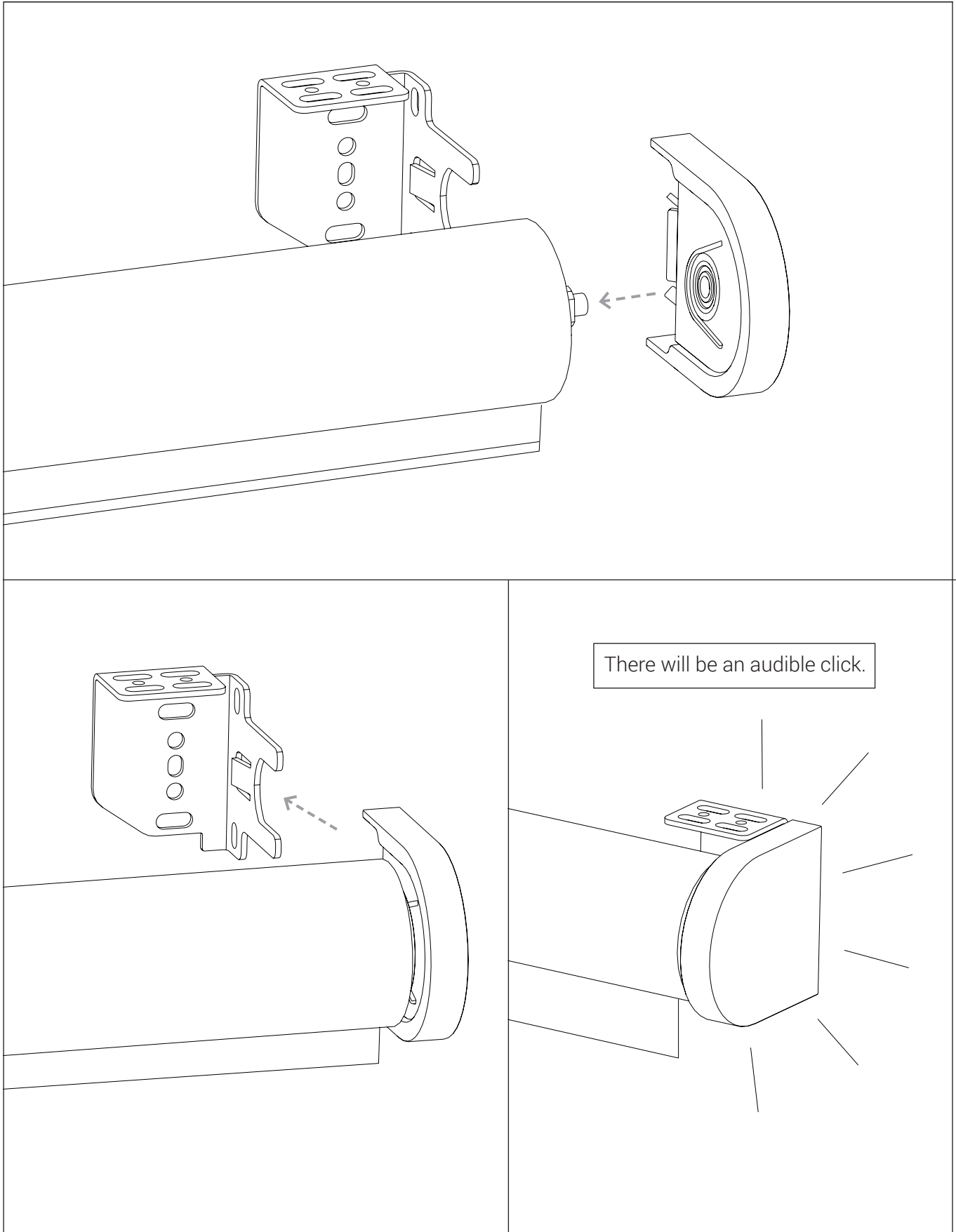


6. Insert motor side completely. Then, while supporting motor side, put idler end cap over the idler and snap into place.

When installing, the shade should be at the upper limit.

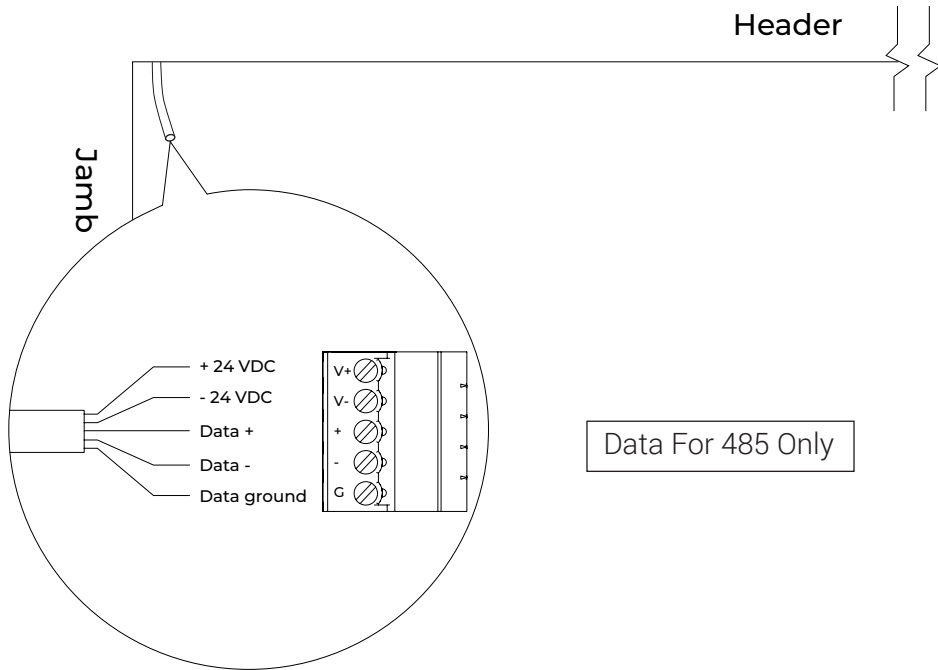


INSTALLATION - 24v DC - 485 (275 SERIES)

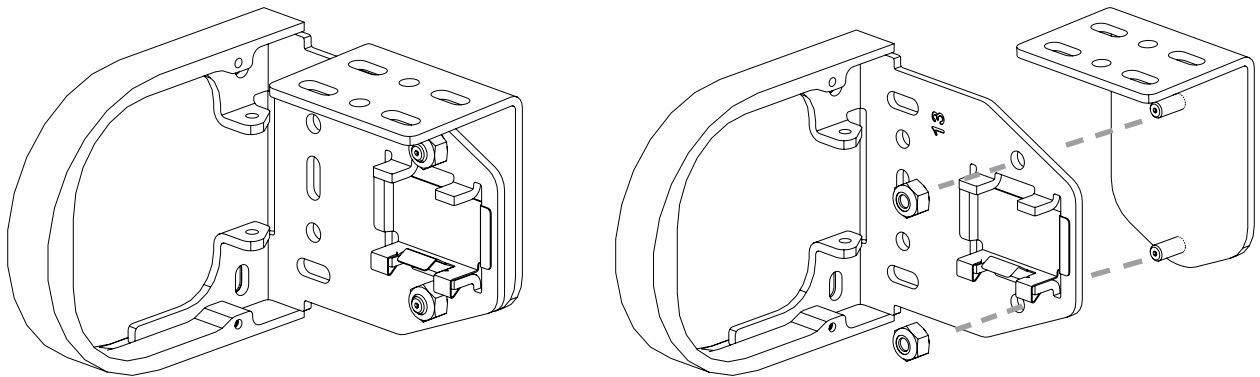


INSTALLATION - 24v DC - 485 (375 / 475 SERIES)

1. Terminate pre-wire with terminal block

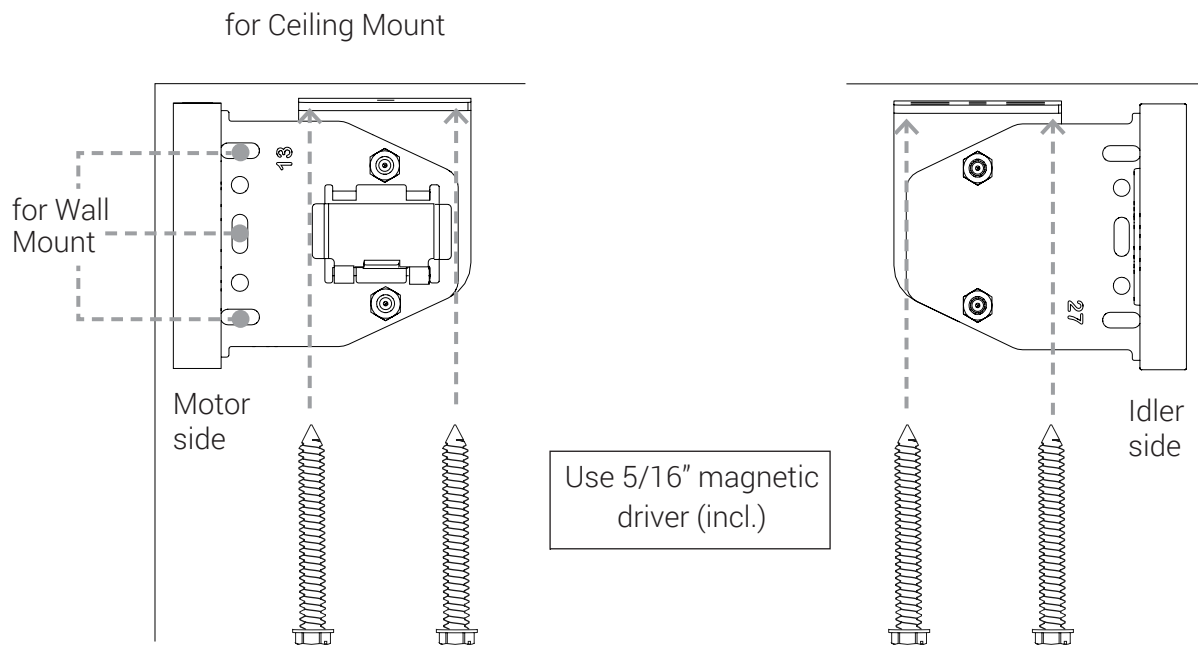


2. If mounting to a wall, remove the ceiling flange from motor and idler brackets

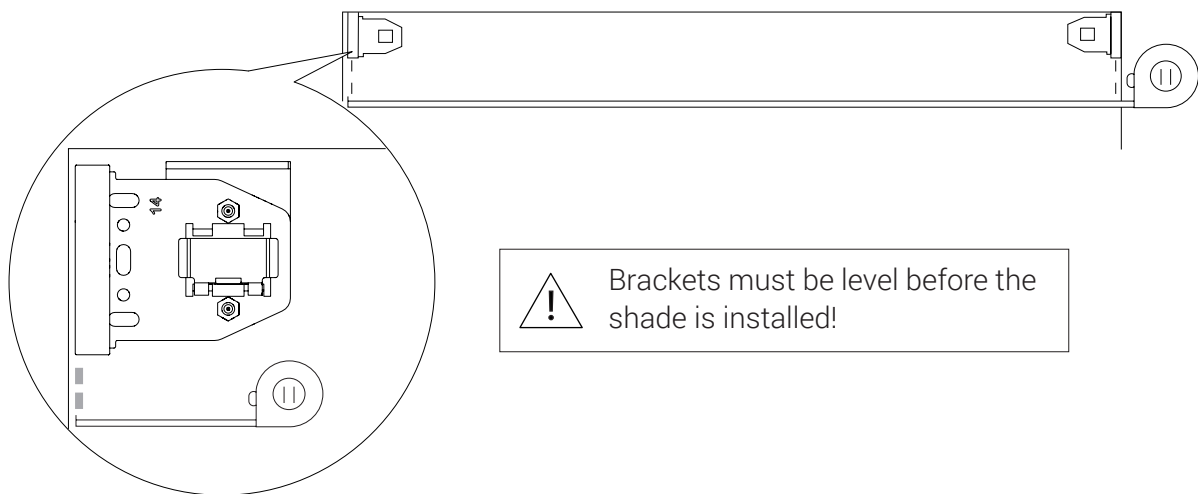


INSTALLATION - 24v DC - 485 (375 / 475 SERIES)

3. Install wall bracket/end cap assembly with the supplied screws

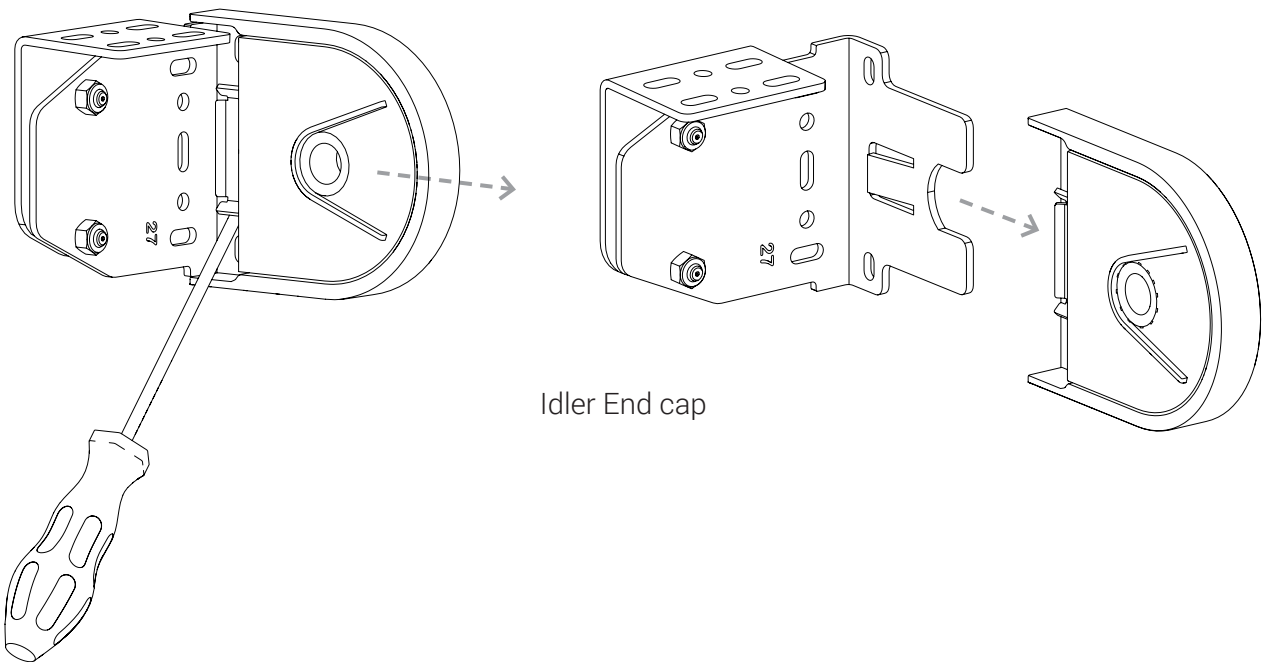
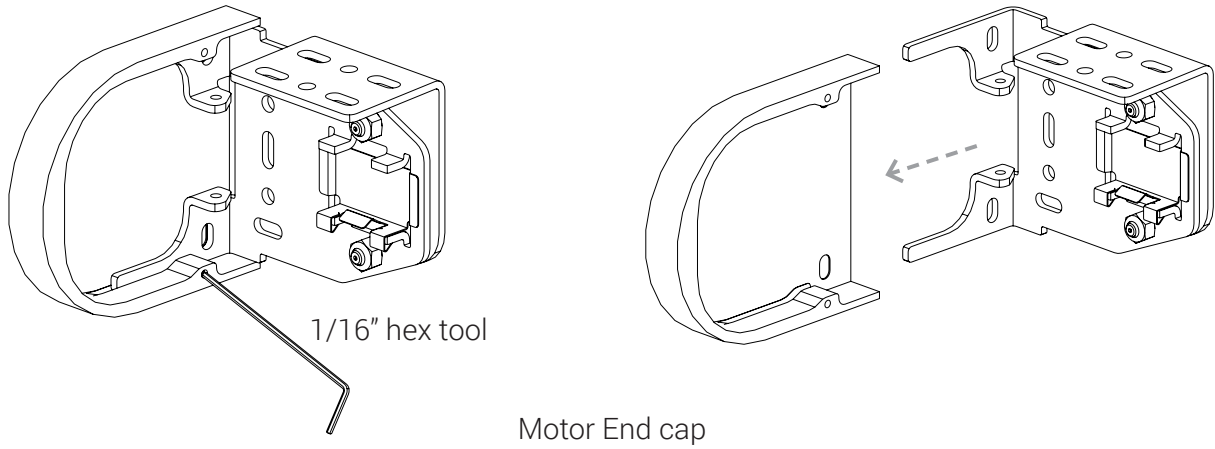


4. Measure bracket to bracket width and verify it matches the ordered width. Adjust accordingly.



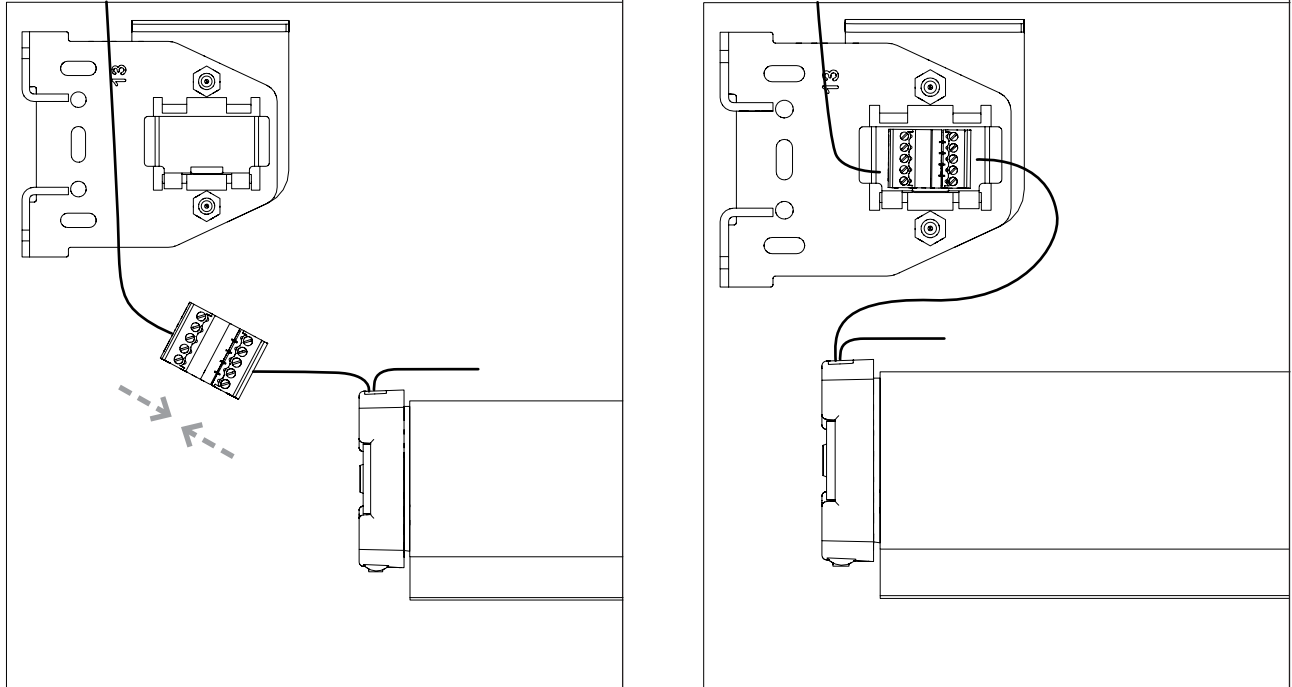
INSTALLATION - 24v DC - 485 (375 / 475 SERIES)

5. Remove both end caps

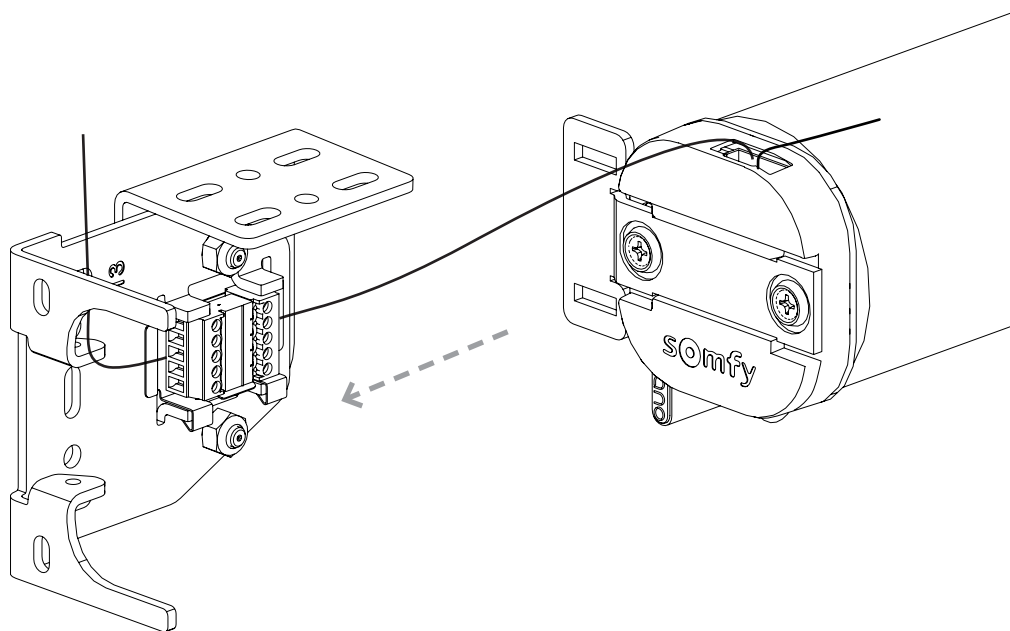


INSTALLATION - 24v DC - 485 (375 / 475 SERIES)

6. Connect shade and pre-wire, snap connector into spring clip.

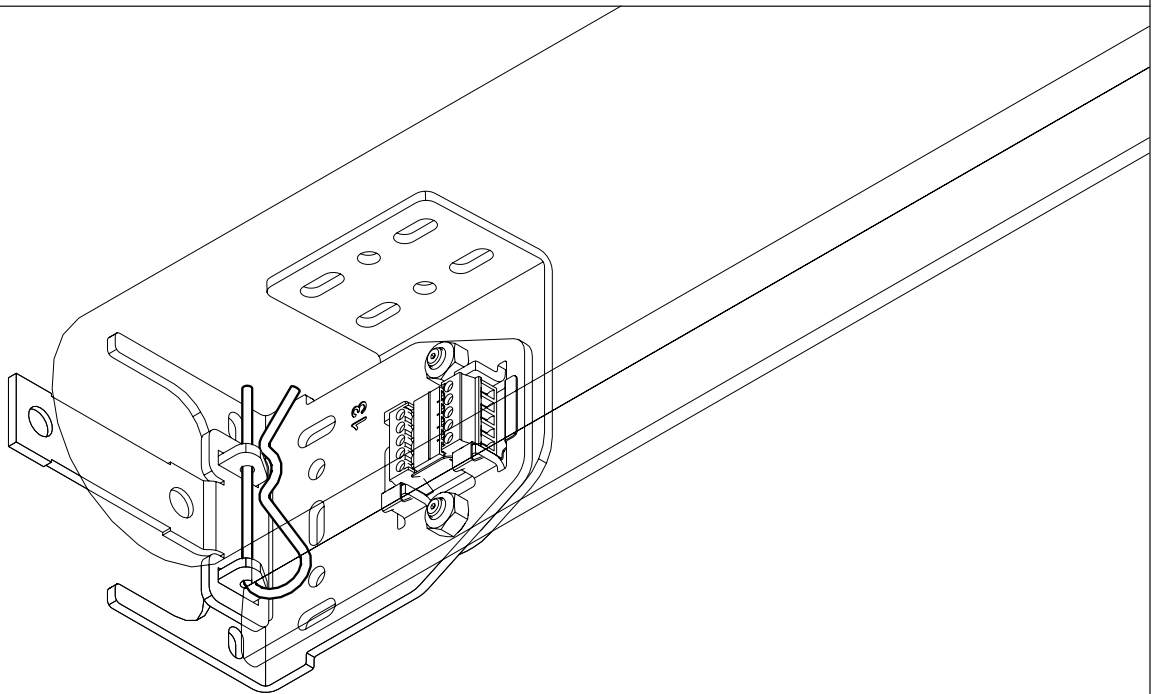
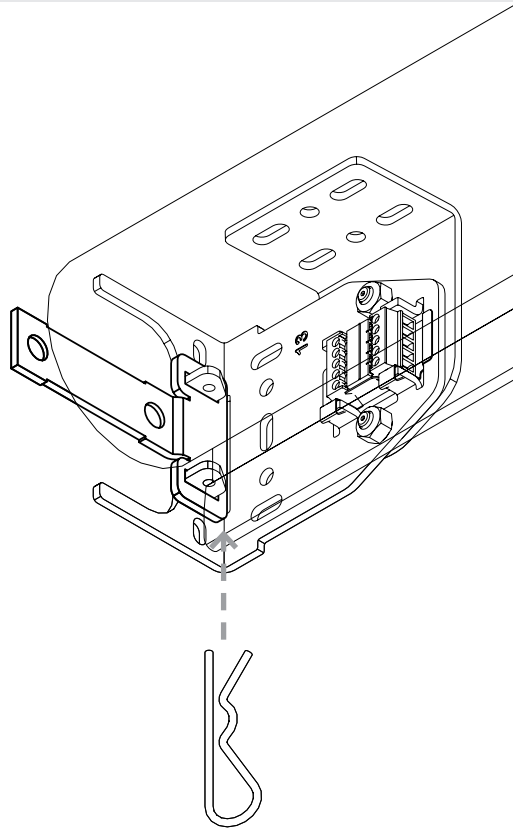


7. Align and insert the motor side.



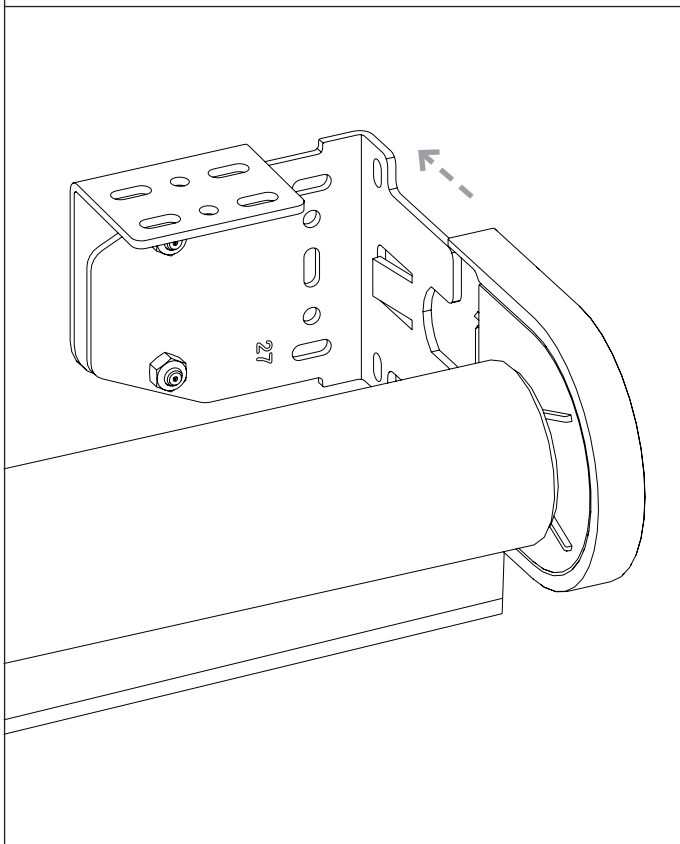
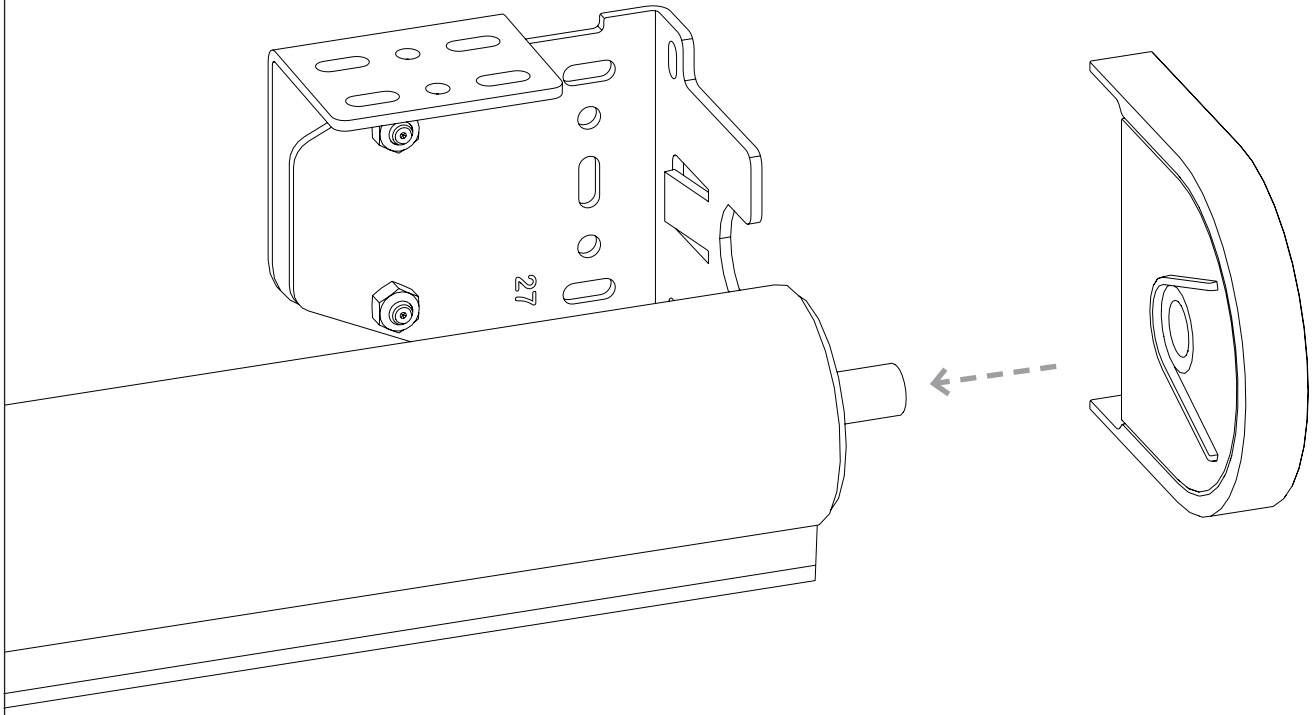
INSTALLATION - 24v DC - 485 (375 / 475 SERIES)

8. Make sure the motor head bracket is fully seated. Secure with cotter pin.

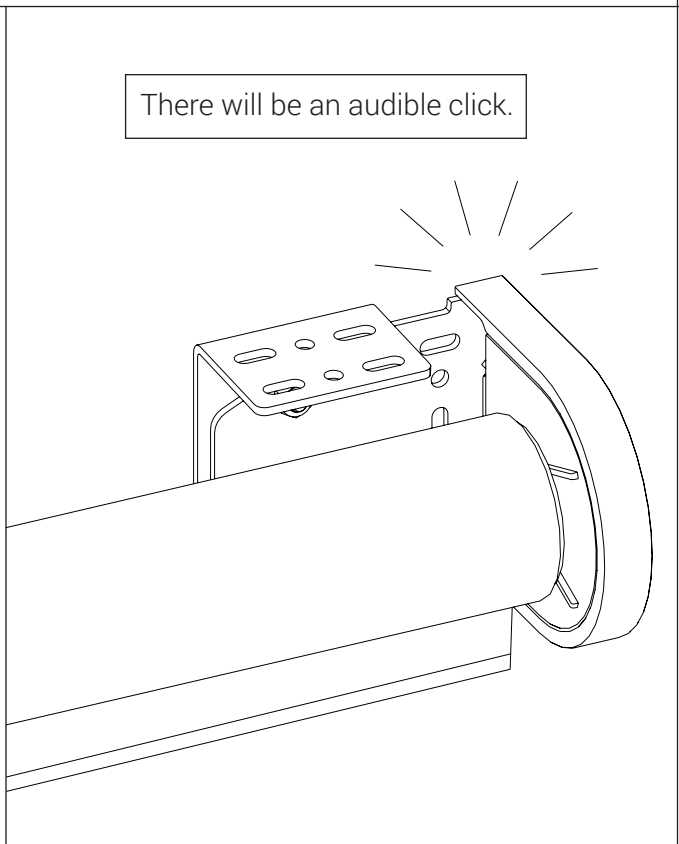


INSTALLATION - 24v DC - 485 (375 / 475 SERIES)

9. Put idler end cap over idler and snap into place.

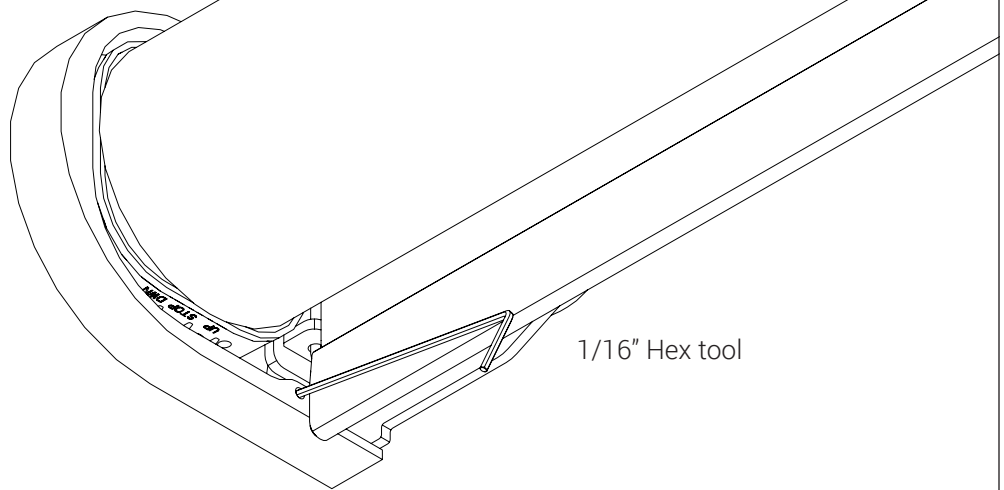
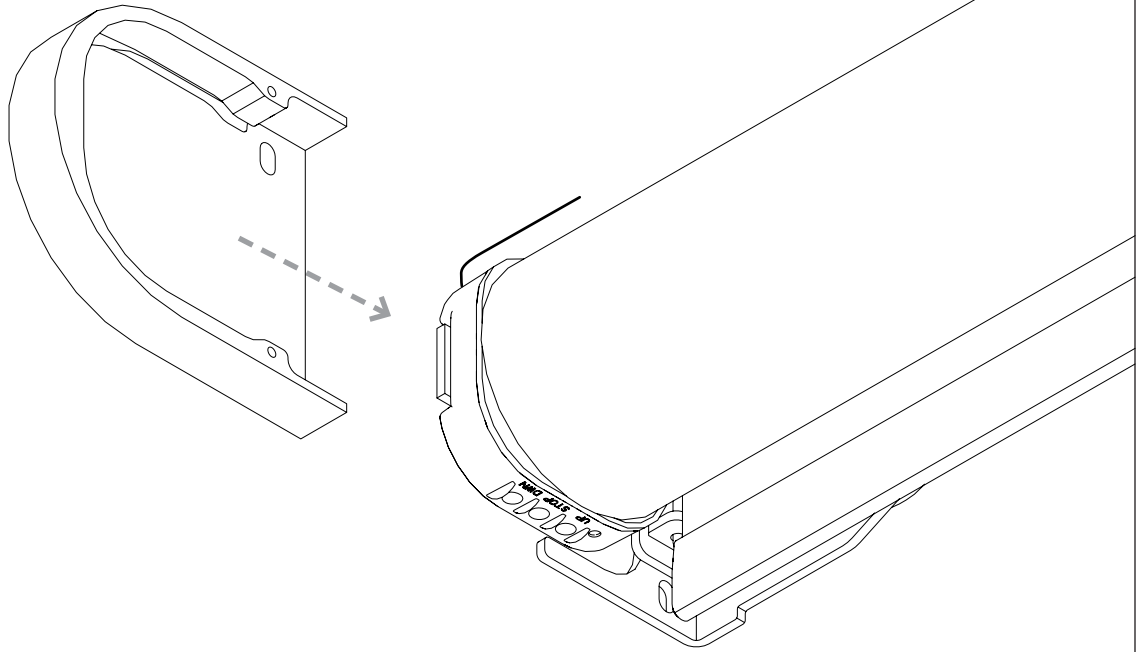


There will be an audible click.



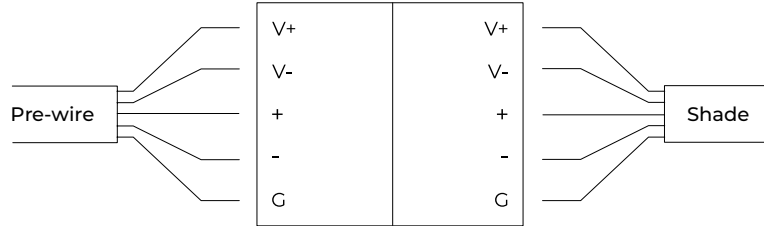
INSTALLATION - 24v DC - 485 (375 / 475 SERIES)

10. Replace and fasten motor end cap



WIRING - 485

24v DC - Using 5 Conductor Wire

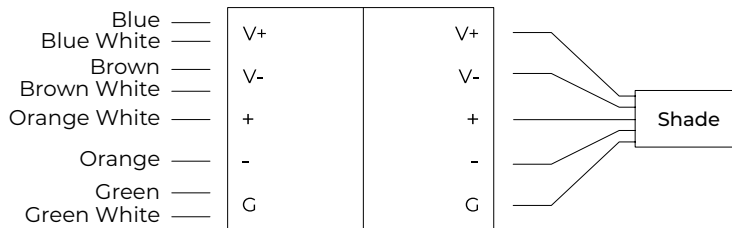


Marking	Description
V+	Positive 24VDC
V-	Negative 24VDC
+	485 Data Positive
-	485 Data Negative
G	485 Data Ground

Wire Gauge (AWG)	Maximum Supported Wire Length (FT.)
14	250
16	150
18	100

24v DC - Using UTP wire

Wire between Janus terminal block face and the motor only.



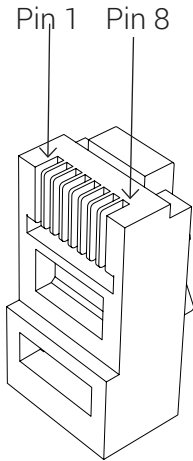
Marking	Description
V+	Positive 24VDC
V-	Negative 24VDC
+	485 Data Positive
-	485 Data Negative
G	485 Data Ground

Wire Gauge (AWG)	Supported Wire Length (FT.)
24 w/o Spike	150 (275 Shade)
	100 (375 Shade)
24 w Spike	300 (275 Shade)
	150 (375 Shade)

WIRING - 485

RJ45 DATA CABLE FOR DATA HUB ONLY

If the shade will be connected to a Data Hub or Power Panel device port for data, terminate with the following pinout:



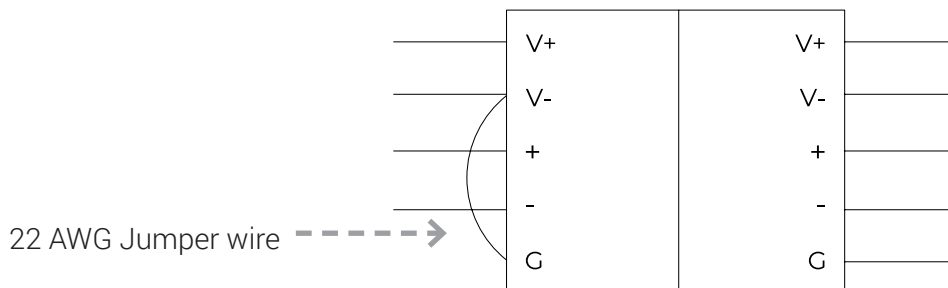
RJ45

485 Wiring Port		
Utilizing RJ-45 TIA-568B termination standard		
Pin#	Color	Function
1	Orange White	485 (+)
2	Orange	485 (-)
3	Green White	Reserved
4	Blue	Power 24v DC (V+)
5	Blue White	Power 24v DC (V+)
6	Green	Reserved
7	Brown White	485 Ground (G)
8	Brown	485 Ground (G)

For Shade Data, use Pins 1, 2 & 8

TERMINATION FOR 4 - CONDUCTOR THIRD PARTY CABLE

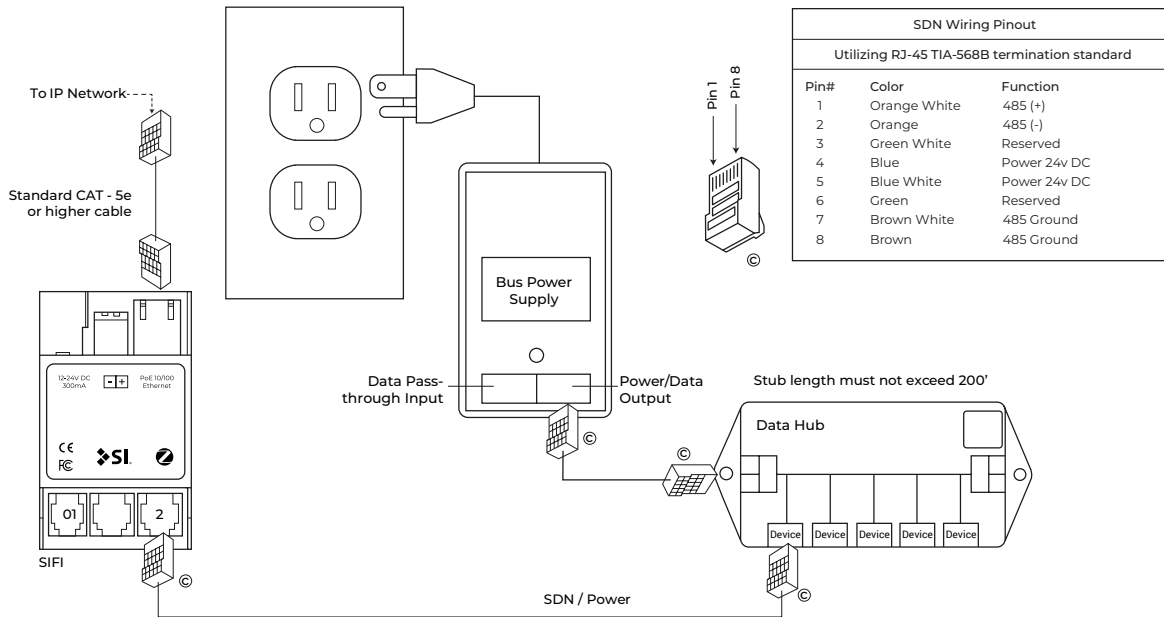
If the pre-wire does not have a third insulated data conductor for the 485 ground, terminate the wire as shown below. Use the same termination on both ends.




PROGRAMMING 485

RS485 shades are programmed using the Screen Innovations SIFI via the web interface. This programming can be done with a Windows or Mac computer either over LAN or wired directly to SIFI. The following instructions are for a Windows computer, but the steps for programming on a Mac are very similar. For a complete guide to program SIFI on a Mac, please visit our website. Before attempting to program any motors with SIFI, verify that the firmware is up to date. To adjust the lower limit of an 485 shade, follow the steps below.

Connect SIFI as shown below.



1. Launch Windows File Explorer
2. Click on the "Network" tab
3. Double click on the SIFI, the default web browser will launch
4. At the landing page, click the three lines in the top right corner, then click "Settings"
5. Select the "SDN" tab on the top left
6. Press the spyglass to auto discover motors on the 485 network (may have to press it more than once)
7. Click on the motor you want to program
8. Name the motor
9. Right click on the down limit count
10. Move the shade up or down using the buttons in the popup window
11. Click in the open space to the right to confirm the limit
12. Operate the shade up and then back down to verify the position of the limit

Problem	Possible Cause	Action to Take
Shade won't operate.	Motor is not powered.	Ensure that 24v hardwired motors have at least 20VDC and that the polarity is correct.
	Incorrect or poor cable termination.	Check the wire pinouts and termination. Look for broken, loose, or damaged wires. Reterminate if necessary.
	SIFI is not powered.	Check that the green LED on SIFI is flashing. If not, make sure power is available via the bus power supply or PoE (with expansion card only).
	SIFI is not on the local network.	Use the service keypad (if available) to validate the 485 network and motors are operating properly before troubleshooting SIFI network problems. Check that the SIFI is communicating on the local network. Ping the device via the windows command prompt, or make sure the device shows up in the network tab of the Windows File Explorer.
 <p>Please use this QR Code to access the updated installation instructions and related documents.</p>	<p>Technical Support: 512.832.6939 screeninnovations.com Hours of Support: 7:30am - 5pm CST support@screeninnovations.com</p>	

NODE IDS

Please keep a note of all the Node IDs on your shade motors. OR for larger shade orders, refer to your Sales Order document for the list.

Room

Shade 1

Shade 2

Shade 3

Shade 4

Shade 5

Shade 6

Room

Shade 1

Shade 2

Shade 3

Shade 4



Screen Innovations

9715-B Burnet Rd, Suite 400 Austin, TX 78758

512.832.6939

www.screeninnovations.com