

# Nano Roll

## Installation Instructions

110v AC - 485



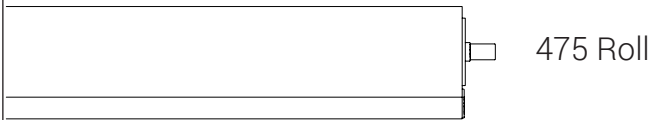
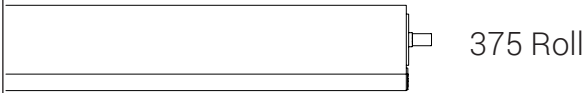
INSTALLERS: Please leave this manual with the owner.





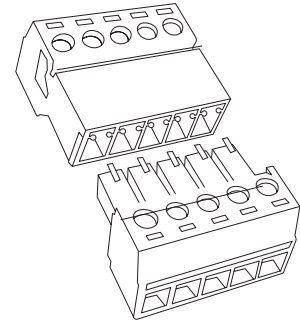
# PARTS LIST - NANO ROLL - 110v AC - 485

## Shades

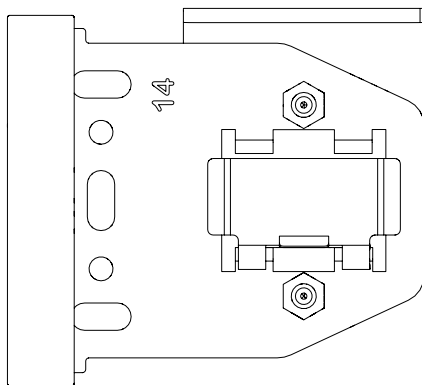


Please note all the Node IDs on your Shade motors. See the last page on these instructions.

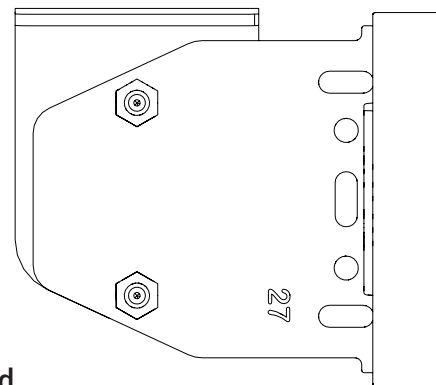
## Terminal Blocks



## Wall Brackets (375 / 475) + End Caps



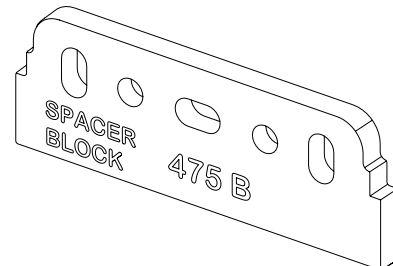
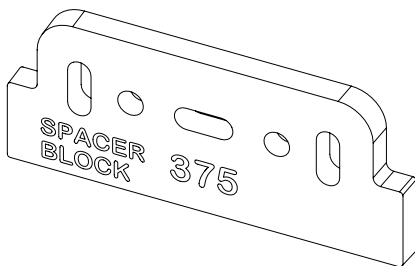
Motor Side



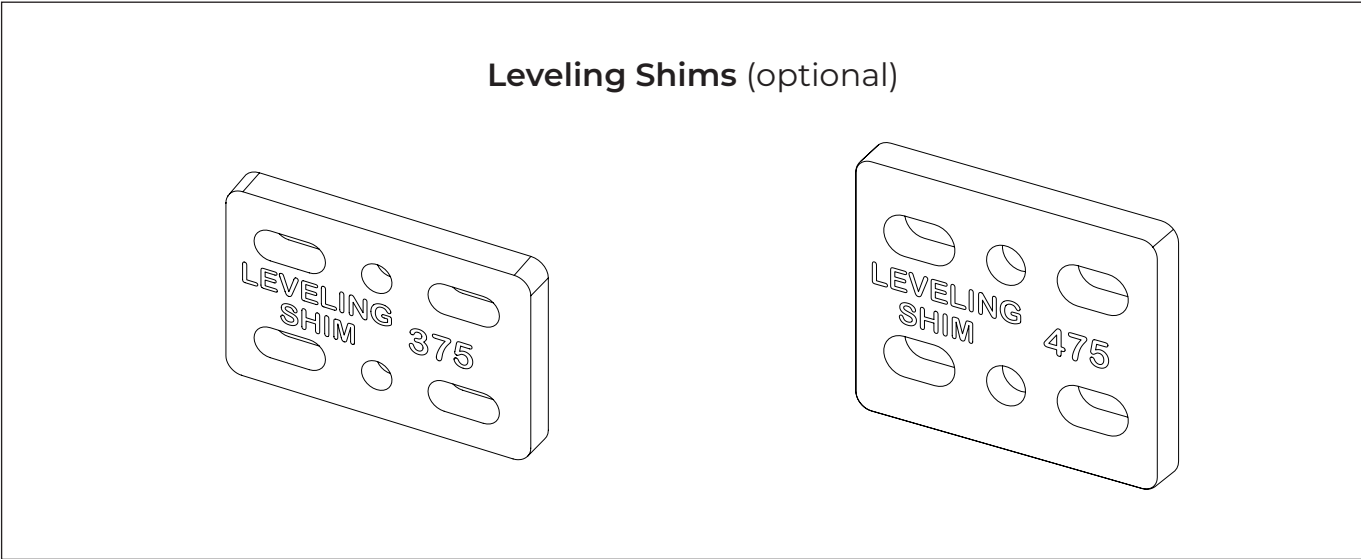
Idler Side

**Screws included**  
(3 per bracket)

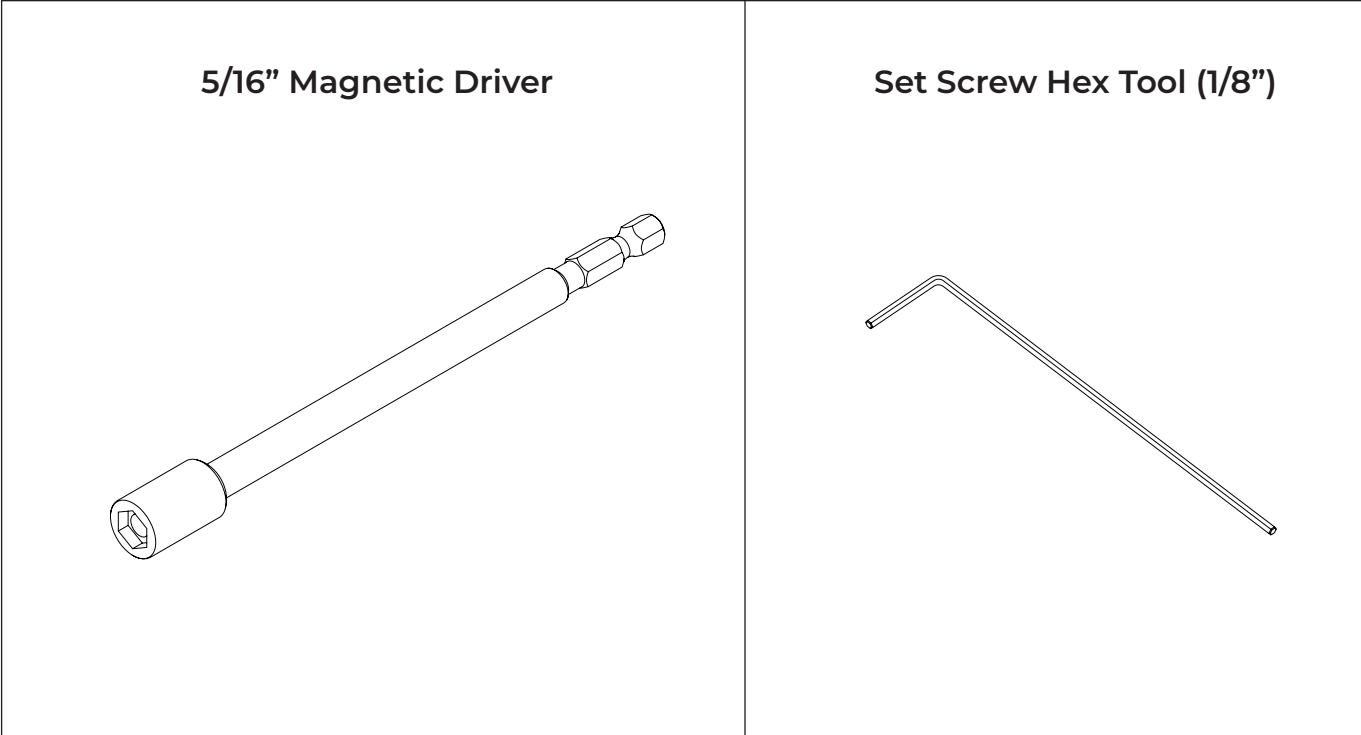
## Spacer Blocks (optional)



# PARTS LIST - NANO ROLL - 110v AC- 485



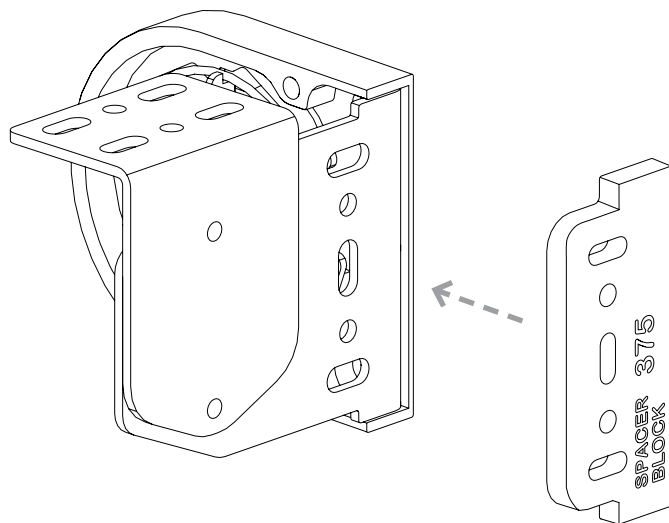
# ADDITIONAL ACCESSORIES - NANO ROLL - 110v AC- 485



Note: For more information about these tools and their use, please call Tech Support at 512.832.6939 Opt. 1

## SPACER BLOCKS AND LEVELING SHIMS (OPTIONAL)

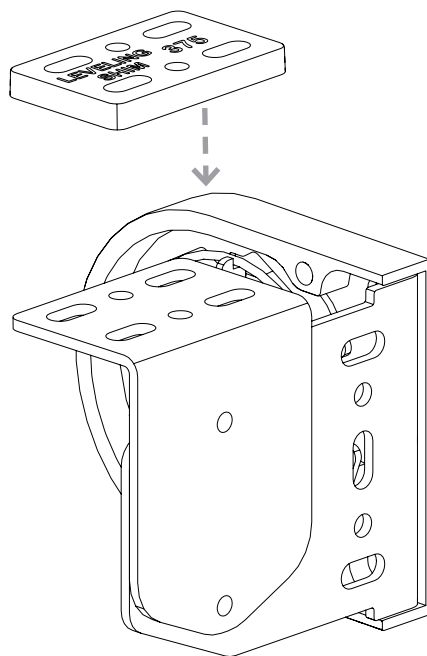
**Spacer Blocks** - used to clear an obstruction in the fabric path.



Connect spacer blocks to shade brackets before installation.

Note: Do not use more than 4 spacer blocks per bracket.

**Leveling Shims** - used if the window frame is out of level.



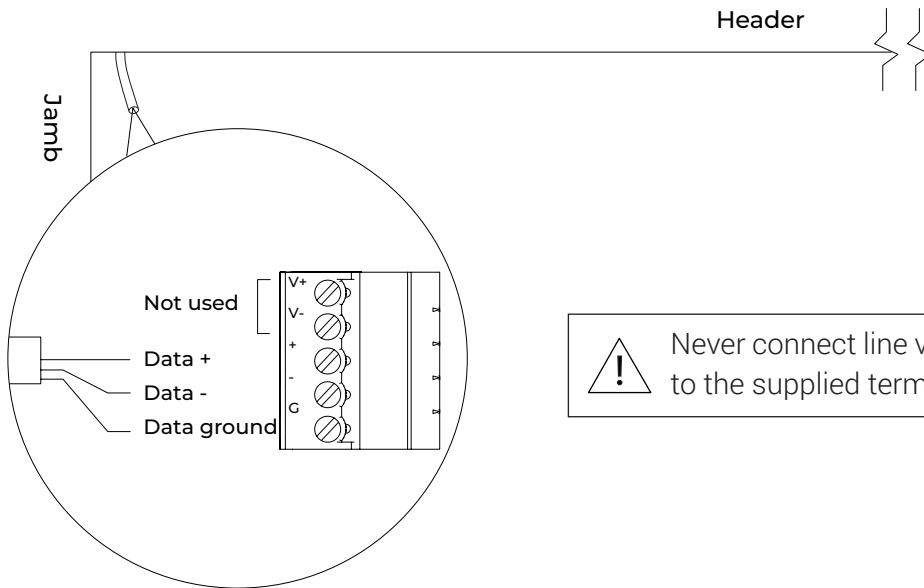
Connect to shade brackets before installation

Note: Do not use more than 2 leveling shims per bracket.

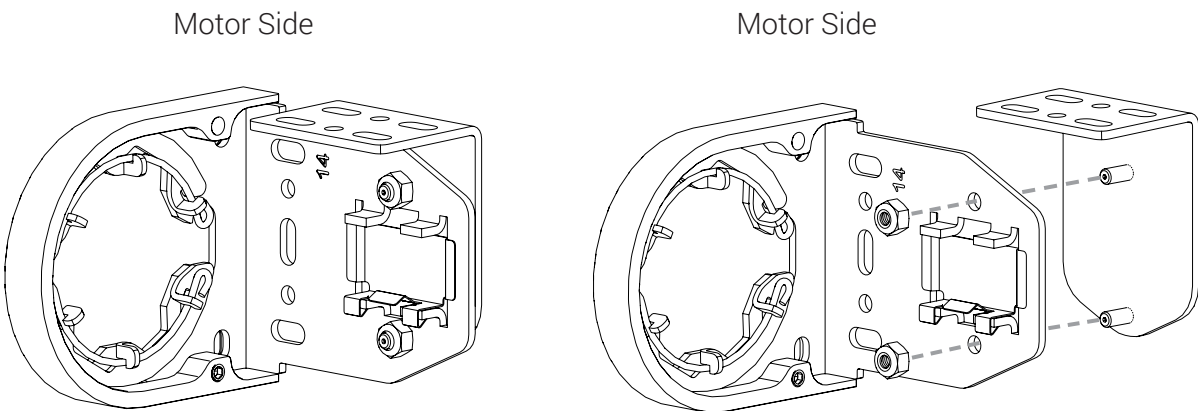
# INSTALLATION - 110v AC - 485 (375 / 475 SERIES)

Before installing the shades, verify whether the shade was ordered as standard roll or reverse roll. Though illustrations in this manual show standard roll shades, the installation for reverse roll shades is the same.

## 1. Terminate pre-wire with terminal block

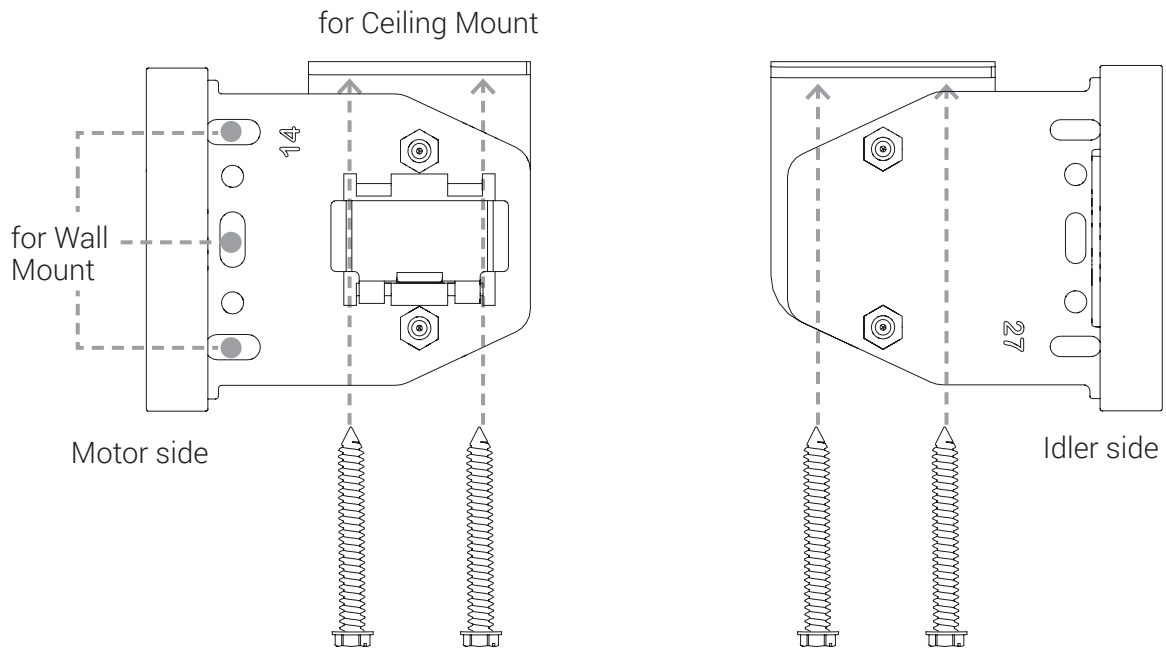


## 2. If mounting to a wall, remove the ceiling flange from motor and idler brackets

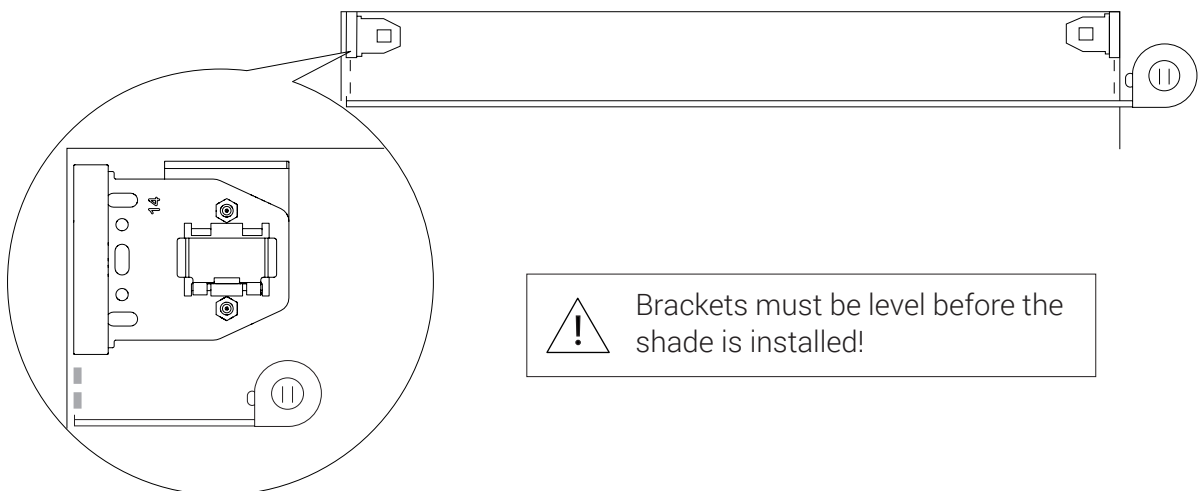


# INSTALLATION - 110v AC - 485 (375 / 475 SERIES)

3. Install wall bracket/end cap assembly with the supplied screws

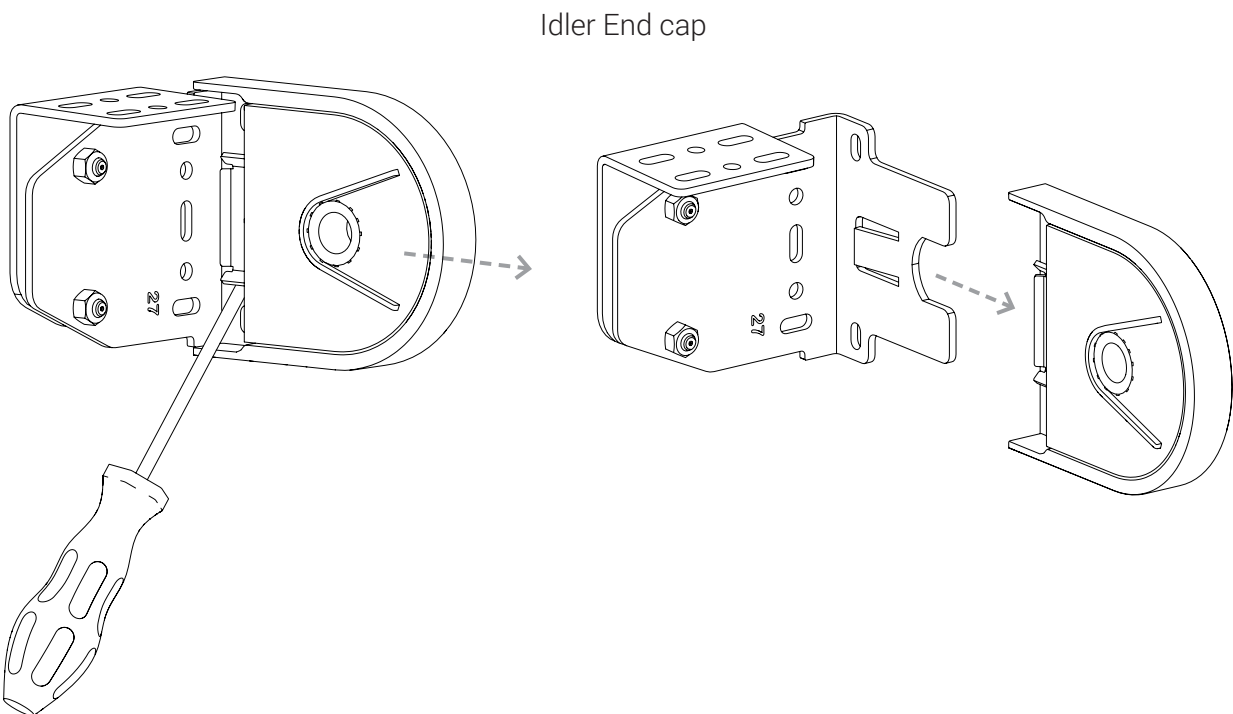
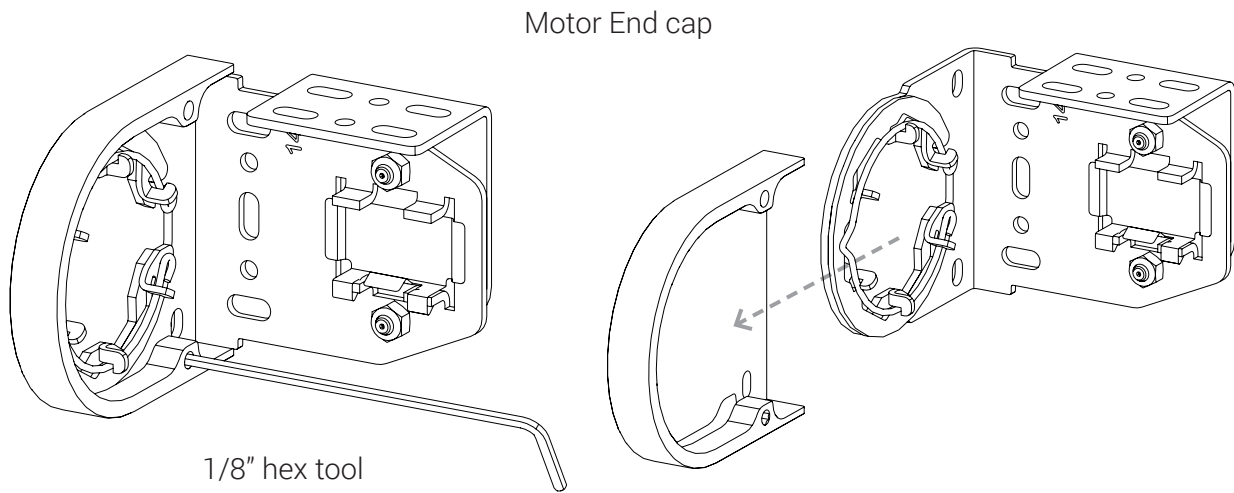


4. Measure bracket to bracket width and verify it matches the ordered width. Adjust accordingly.



# INSTALLATION - 110v AC - 485 (375 / 475 SERIES)

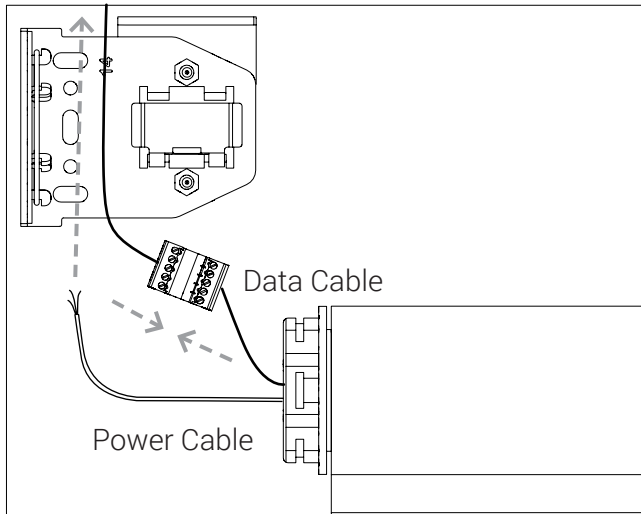
5. Remove both end caps



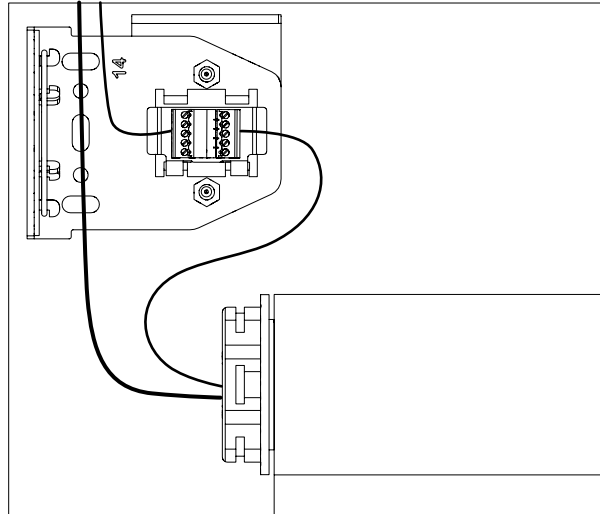


# INSTALLATION - 110v AC - 485 (375 / 475 SERIES)

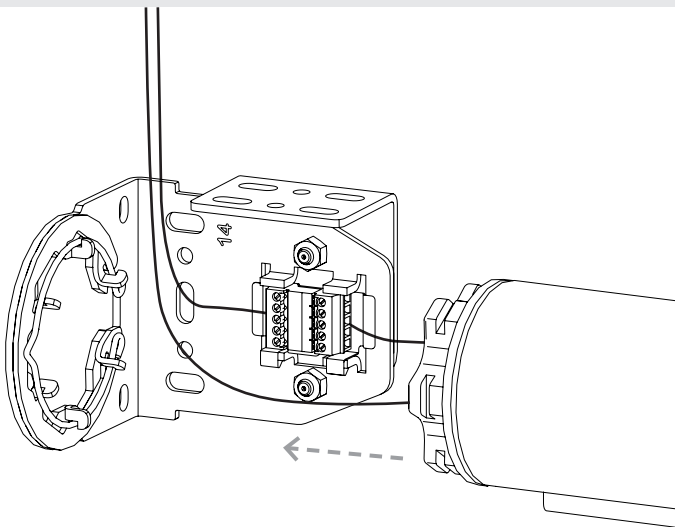
6. Push power cable into pre-wire hole and connect shade and pre-wire, snap terminal block into spring clip.



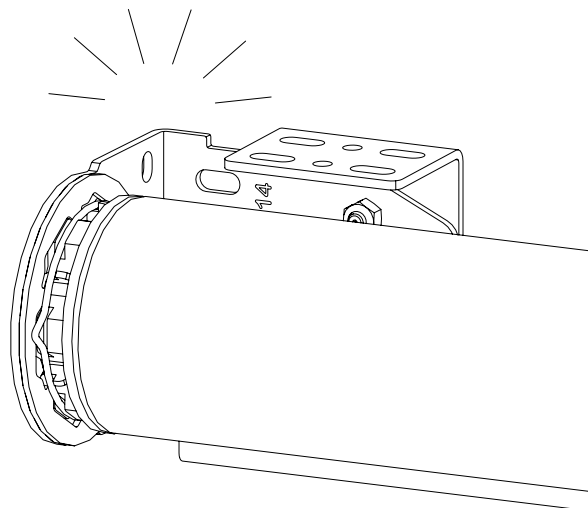
**Note:** Motor cable is not plenum rated. Terminate accordingly.



7. Align and fasten motor side.

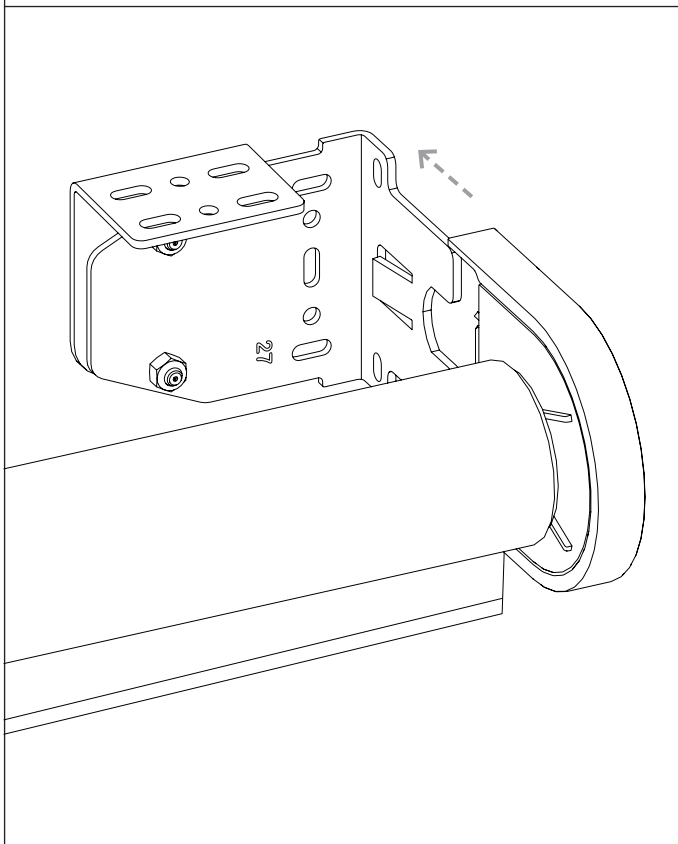
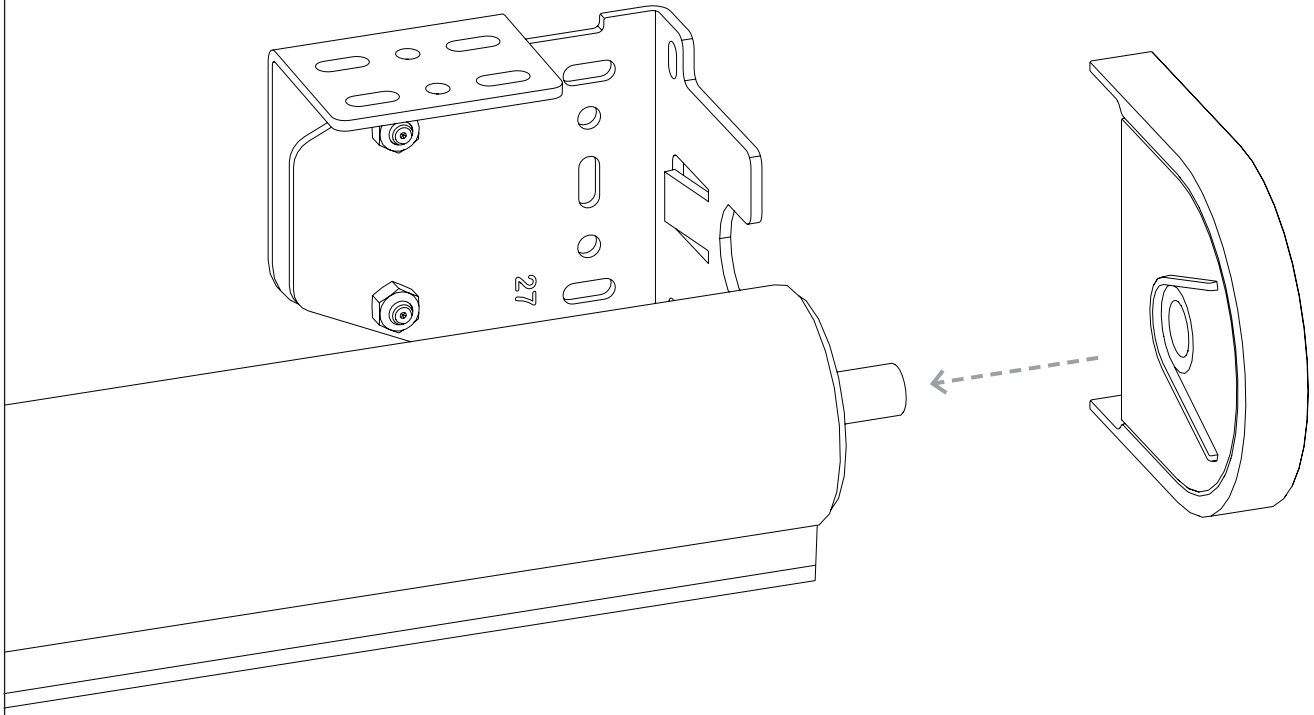


There will be an audible click.

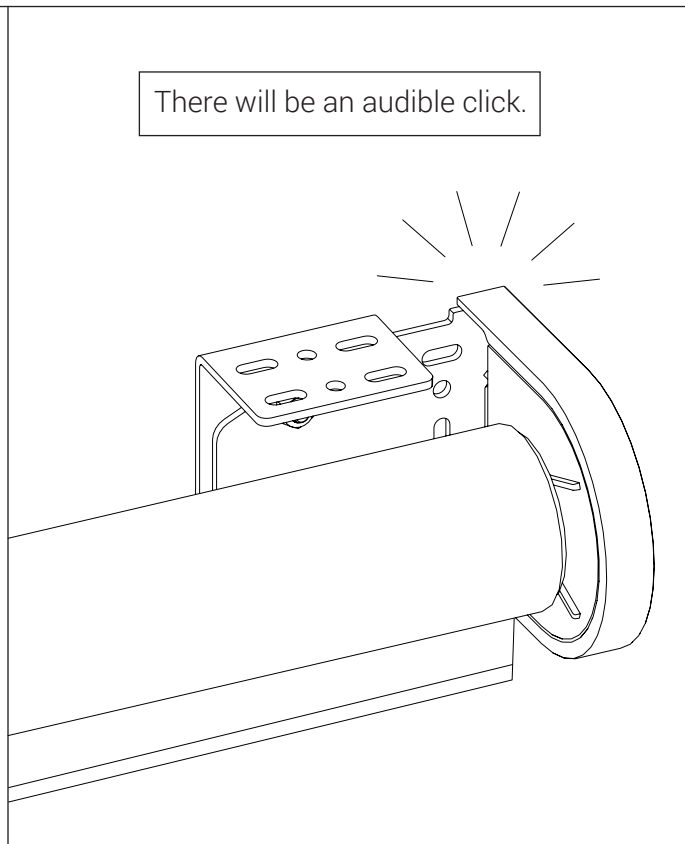


# INSTALLATION - 110v AC - 485 (375 / 475 SERIES)

8. Then put idler end cap over idler and snap into place.

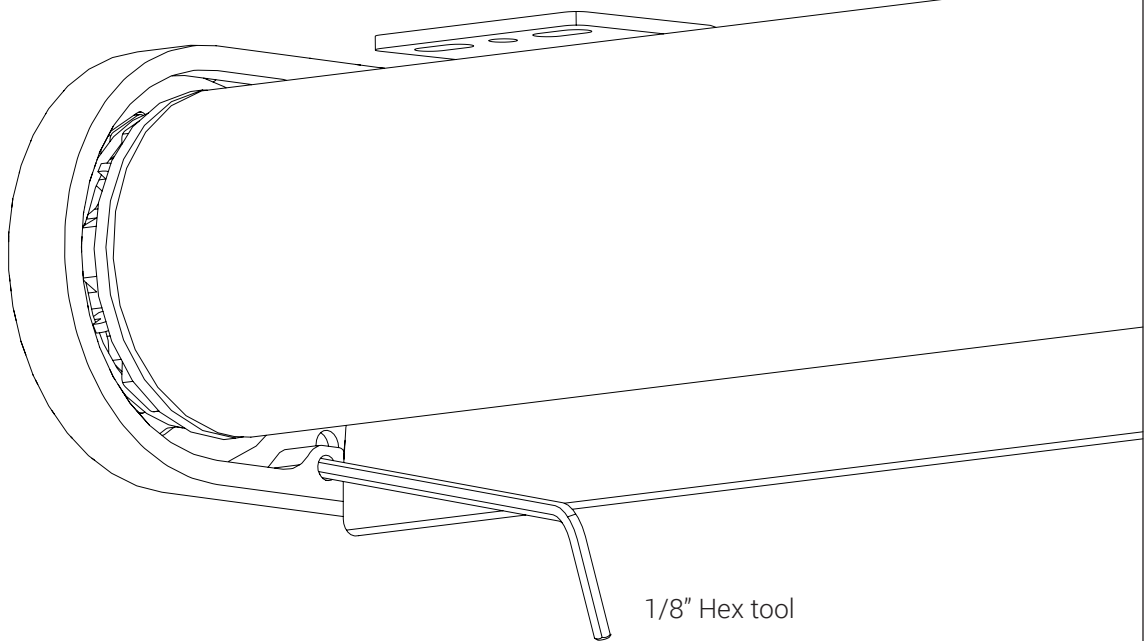
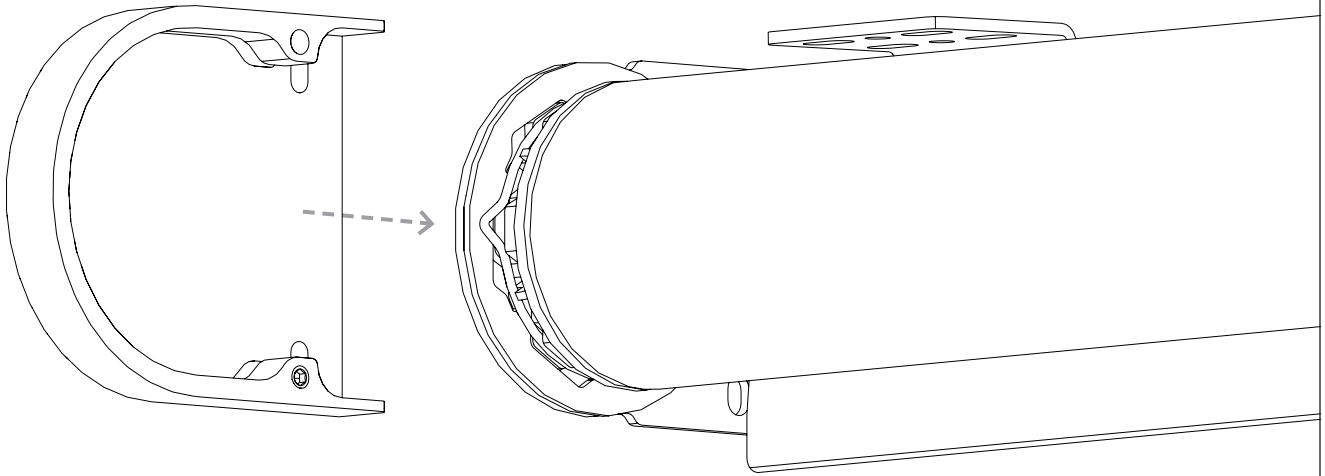


There will be an audible click.



# INSTALLATION - 110v AC - 485 (375 / 475 SERIES)

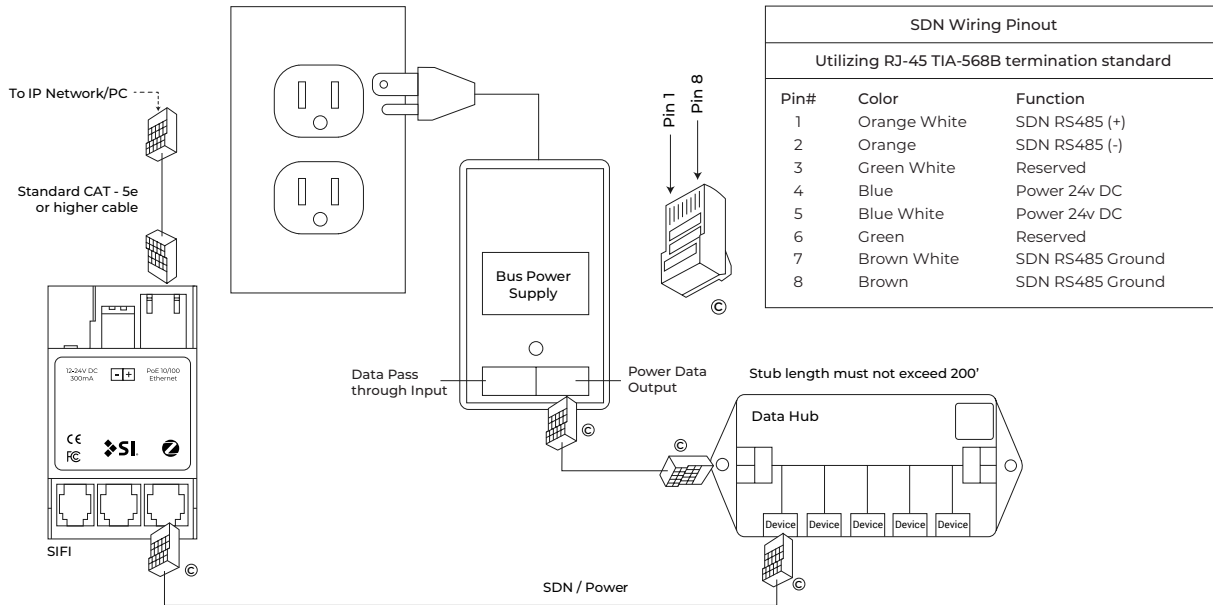
9. Replace and fasten motor end cap




# PROGRAMMING 485

RS485 shades are programmed using the Screen Innovations SIFI via the web interface. This programming can be done with a Windows or Mac computer either over LAN or wired directly to SIFI. The following instructions are for a Windows computer, but the steps for programming on a Mac are very similar. For a complete guide to program SIFI on a Mac, please visit our website. Before attempting to program any motors with SIFI, verify that the firmware is up to date. To adjust the lower limit of an 485 shade, follow the steps below.

Connect SIFI as shown below.



1. Launch Windows File Explorer
2. Click on the "Network" tab
3. Double click on the SIFI, the default web browser will launch
4. At the landing page, click the three lines in the top right corner, then click "Settings"
5. Select the "SDN" tab on the top left
6. Press the spyglass to auto discover motors on the 485 network (may have to press it more than once)
7. Click on the motor you want to program
8. Name the motor
9. Right click on the down limit count
10. Move the shade up or down using the buttons in the popup window
11. Click set to confirm the limit
12. Operate the shade up and then back down to verify the position of the limit

| Problem   | Possible Cause   | Action to Take   |
|---|--|--|
| Shade won't operate.  | Motor is not powered.  | Ensure that 24V hardwired motors have at least 20VDC and that the polarity is correct.   |
|   | Incorrect or poor cable termination.   | Check the wire pinouts and termination. Look for broken, loose, or damaged wires. Rereminate if necessary.   |
|   | SIFI is not powered.   | Check that the green LED on SIFI is flashing. If not, make sure power is available via the bus power supply or PoE (with expansion card only).   |
|   | SIFI is not on the local network.  | Use the service keypad (if available) to validate the 485 network and motors are operating properly before troubleshooting SIFI network problems. Check that the SIFI is communicating on the local network. Ping the device via the windows command prompt, or make sure the device shows up in the network tab of the Windows File Explorer. |
|  <p>Please use this QR Code to access the updated installation instructions and related documents.</p> | <p><b>Technical Support:</b> 512.832.6939   <a href="http://screeninnovations.com">screeninnovations.com</a><br/> <b>Hours of Support:</b> 7:30am - 5pm CST   <a href="mailto:support@screeninnovations.com">support@screeninnovations.com</a></p> |  |



# NODE IDS

Please keep a note of all the Node IDs on your shade motors. OR for larger shade orders, refer to your Sales Order document for the list.

Room

Shade 1

Shade 2

Shade 3

Shade 4

Shade 5

Shade 6

Room

Shade 1

Shade 2

Shade 3

Shade 4



**Screen Innovations**

9715-B Burnet Rd, Suite 400 Austin, TX 78758

512.832.6939

[www.screeninnovations.com](http://www.screeninnovations.com)