

Nano Box

Installation Instructions




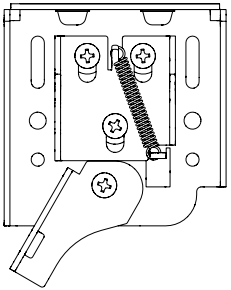
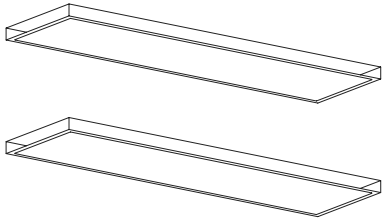
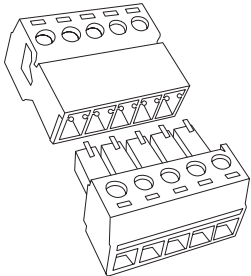
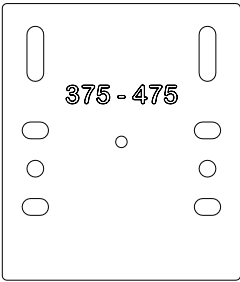
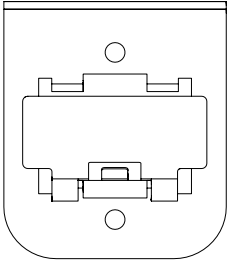
110v AC - 485



INSTALLERS: Please leave this manual with the owner.

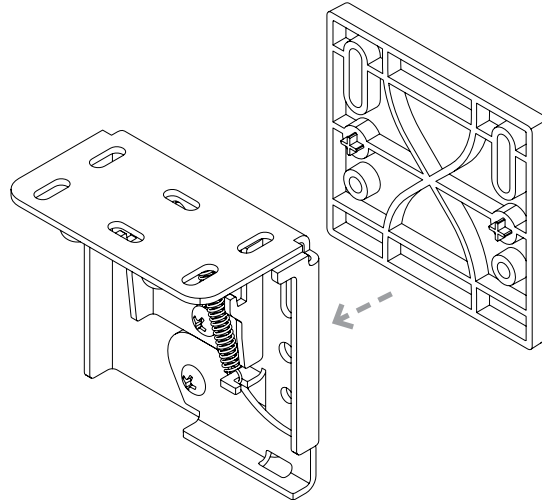


PARTS LIST - NANO BOX - 110v AC - 485

<p style="text-align: center;">Shades</p>  <p style="text-align: right;">375 Box</p>  <p style="text-align: right;">475 Box</p> <div style="border: 1px solid black; padding: 5px; margin-top: 10px;"><p>Please note all the Node IDs on your Shade motors. See the last page on these instructions.</p></div>	<p style="text-align: center;">Wall Brackets</p>  <p style="text-align: center;">Screws Included (3 per Bracket)</p>
<p style="text-align: center;">Leveling Shims (4 per shade)</p> 	<p style="text-align: center;">Terminal Blocks</p> 
<p style="text-align: center;">Spacer Blocks (optional - 4 per shade)</p>  <p style="text-align: center;">Longer Screws Included</p>	<p style="text-align: center;">Terminal Block Brackets</p> 

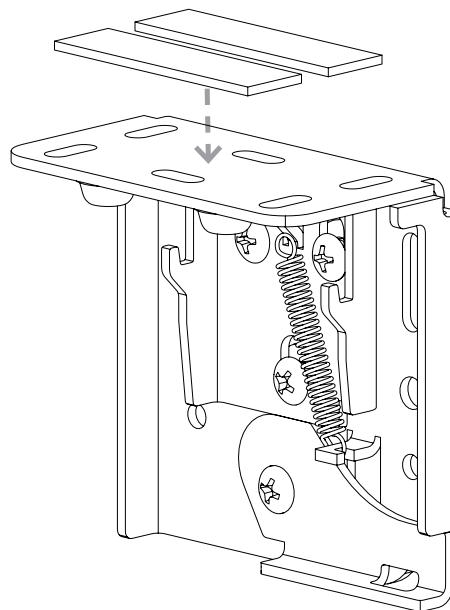
SPACER BLOCKS AND LEVELING SHIMS (OPTIONAL)

Spacer Blocks - used to clear an obstruction in the fabric path.



Connect spacer blocks to shade brackets before installation.
Note: Do not use more than 4 spacer blocks per bracket.

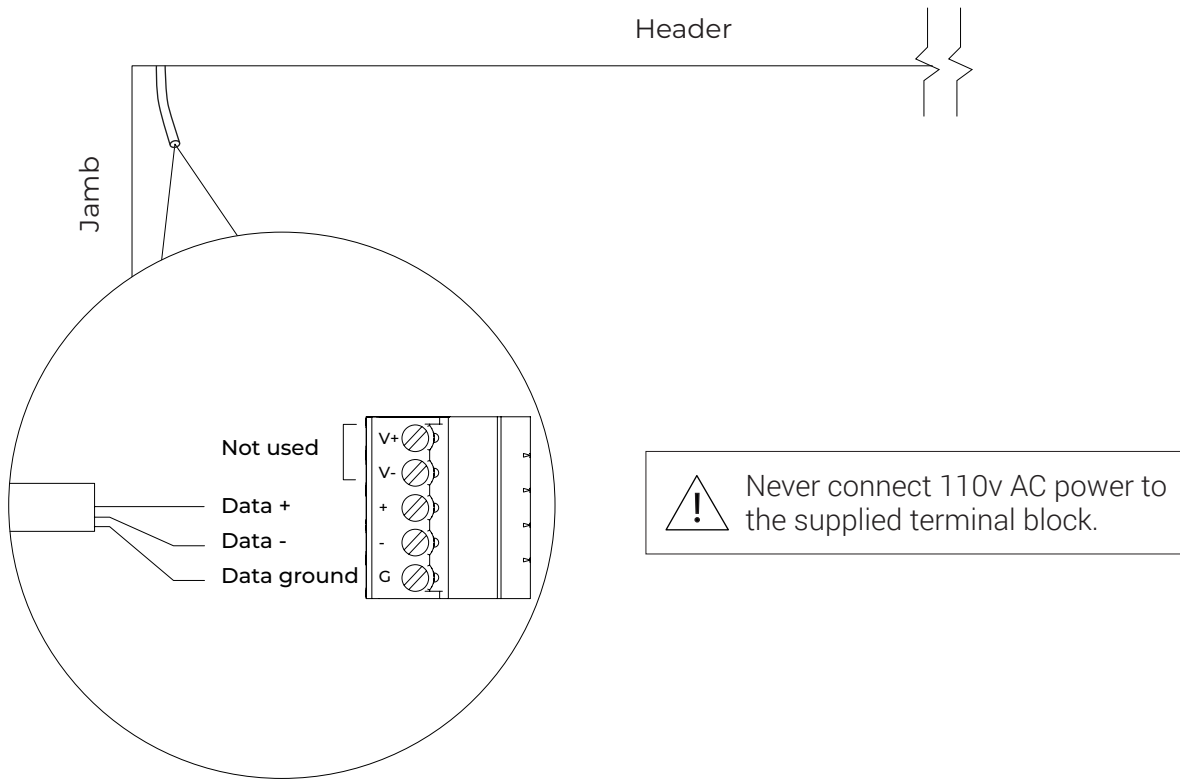
Leveling Shims - used if the window frame is out of level.



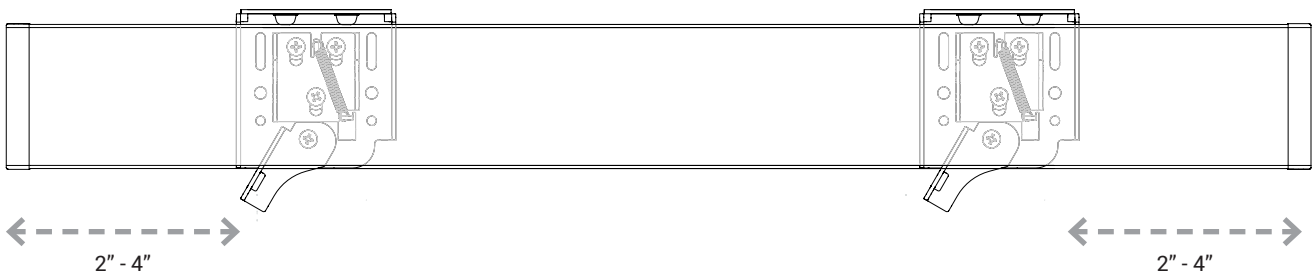
Connect to shade brackets before installation
Note: do not use more than 2 leveling shims per bracket.

INSTALLATION - NANO BOX - 110v AC - 485

1. Terminate pre-wire with the supplied terminal block

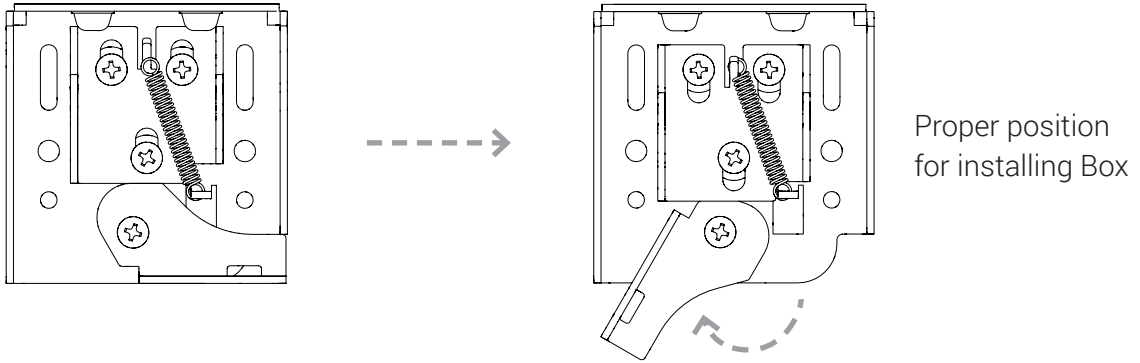


2. Box bracket position is recommended 2"-4" from end caps.

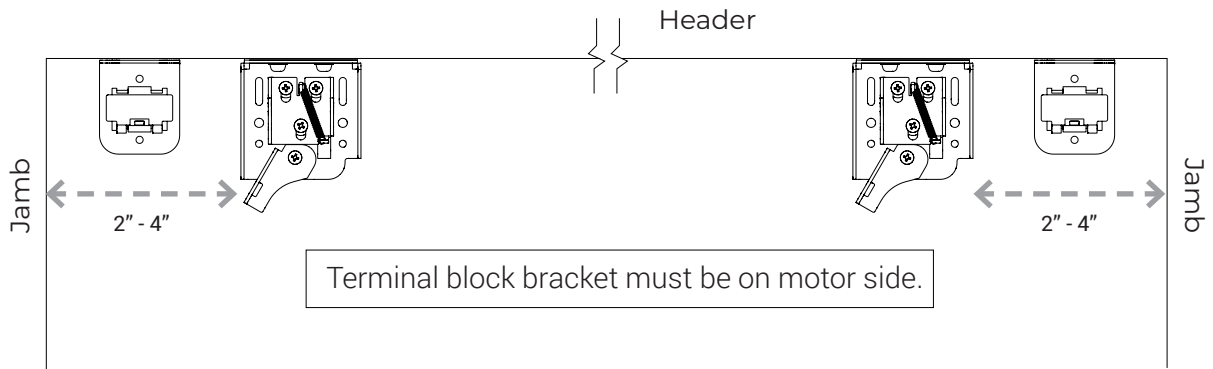


INSTALLATION - NANO BOX - 110v AC - 485

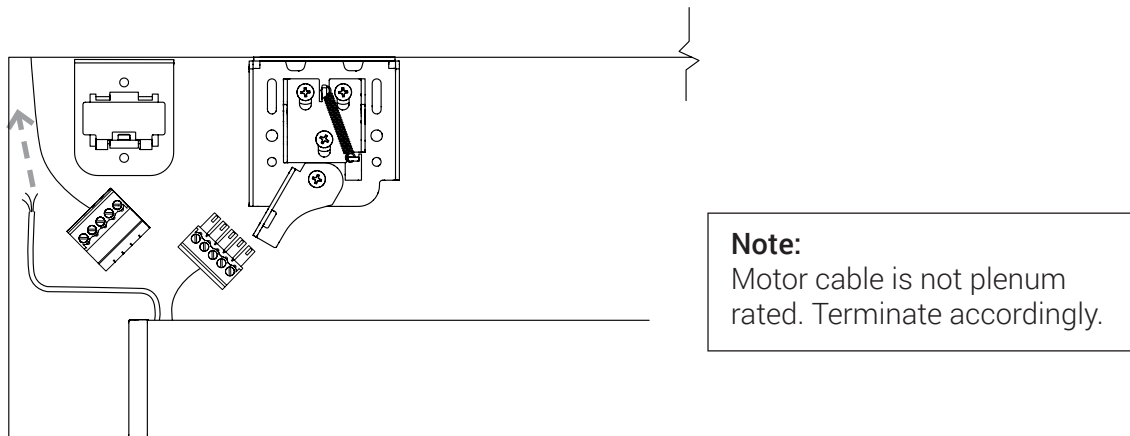
3. Make sure the wall bracket lever is down (may already be down).



4. Install terminal block bracket between jamb and wall bracket on the pre-wire side using the supplied screws

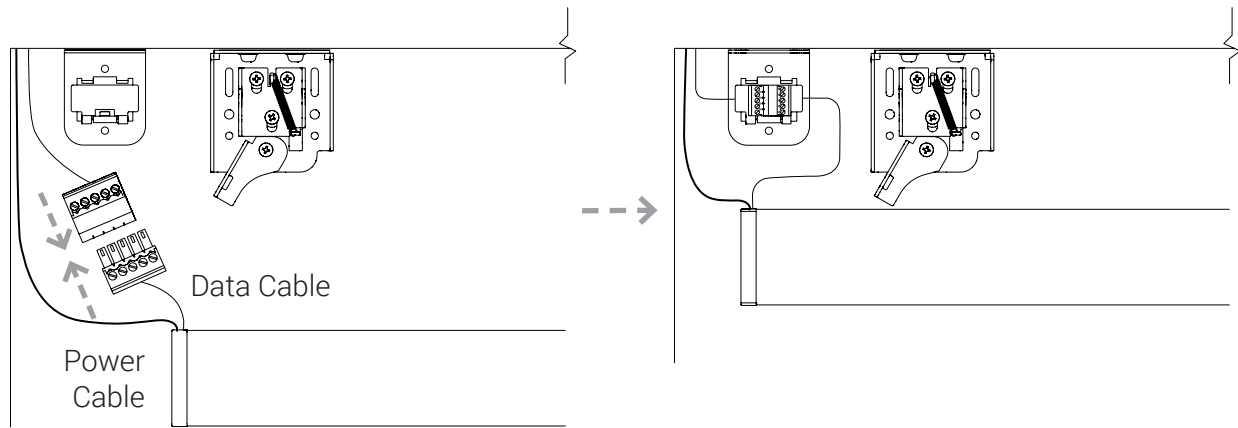


5. Push power cable into the pre-wire hole

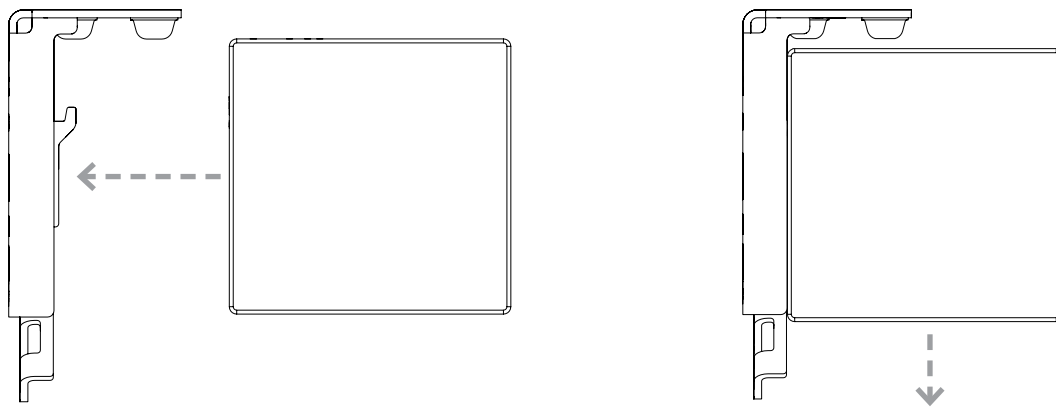


INSTALLATION - NANO BOX - 110v AC - 485

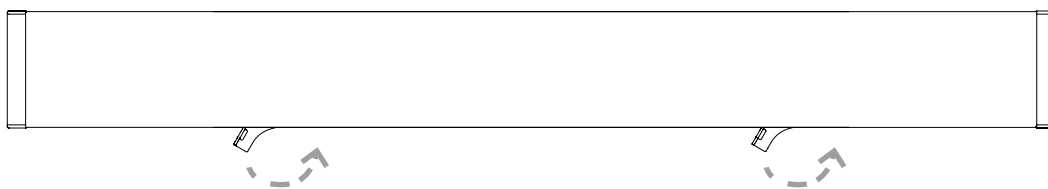
6. Connect shade data cable to pre-wire and snap into terminal block bracket



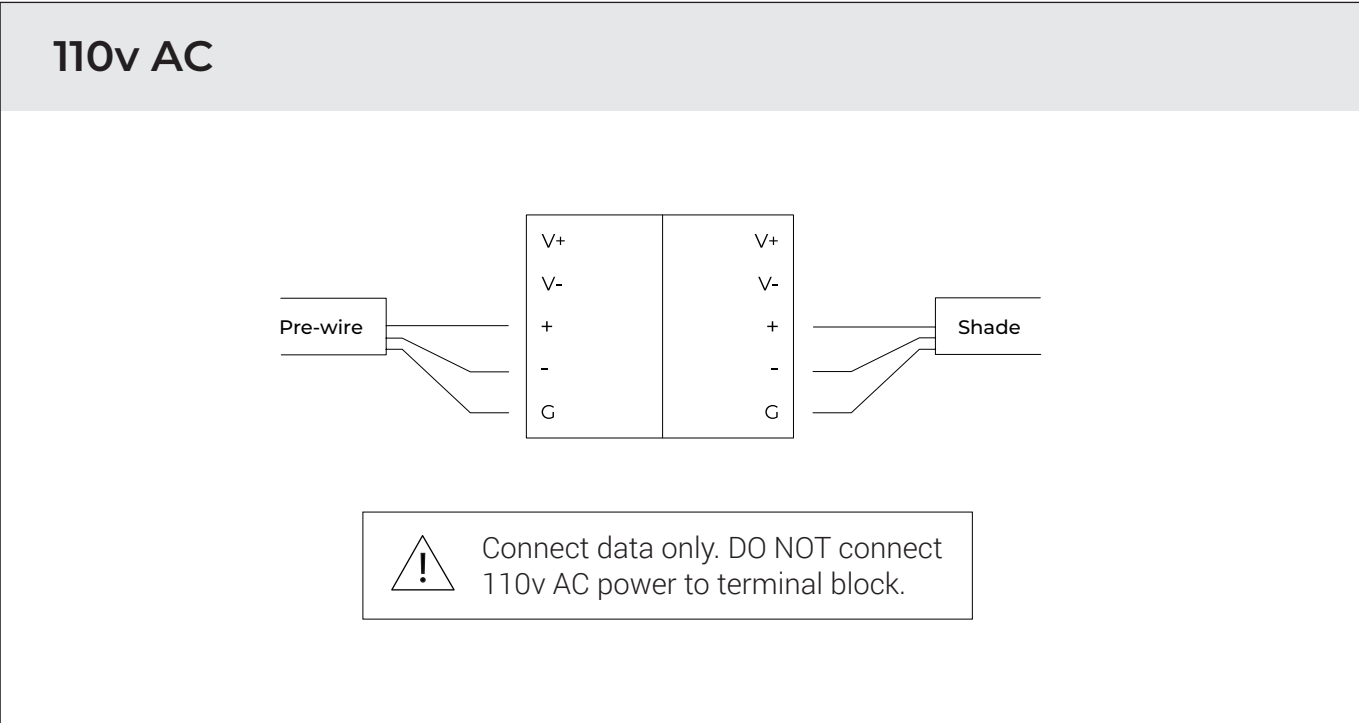
7. Hang shade onto wall brackets and center in the opening



8. Use thumb to lock shade in place



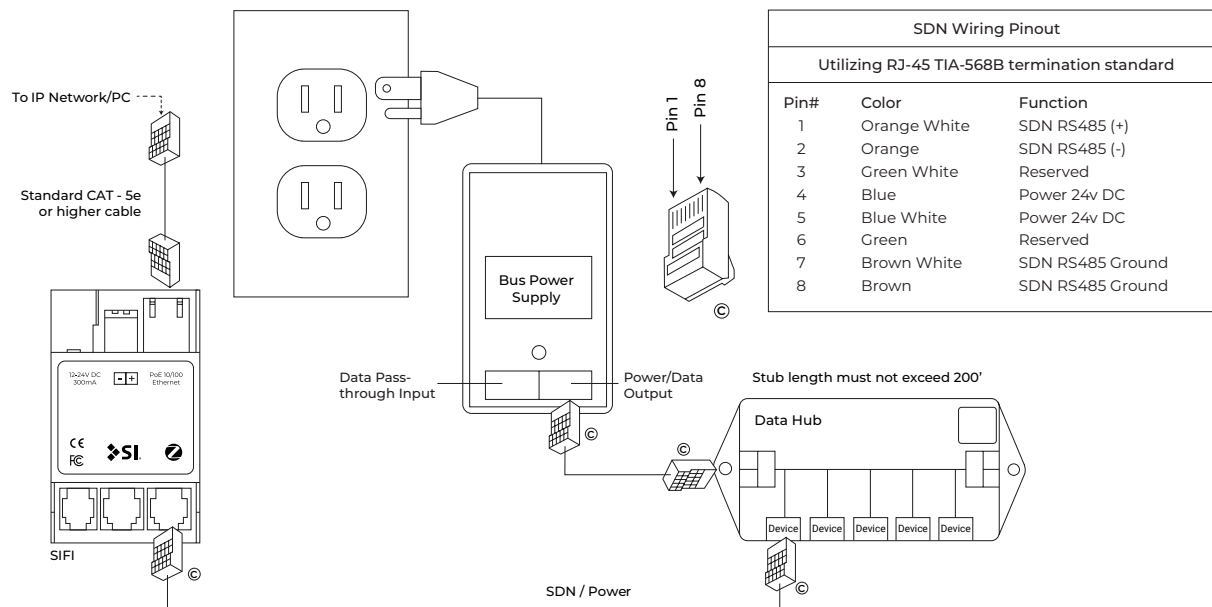
WIRING - 485




PROGRAMMING - 485

RS485 shades are programmed using the Screen Innovations SIFI via the web interface. This programming can be done with a Windows or Mac computer either over LAN or wired directly to SIFI. The following instructions are for a Windows computer, but the steps for programming on a Mac are very similar. For a complete guide to program SIFI on a Mac, please visit our website. Before attempting to program any motors with SIFI, verify that the firmware is up to date. To adjust the lower limit of an 485 shade, follow the steps below.

Connect SIFI as shown below.



1. Launch Windows File Explorer
2. Click on the "Network" tab
3. Double click on the SIFI, the default web browser will launch
4. At the landing page, click the three lines in the top right corner, then click "Settings"
5. Select the "SDN" tab on the top left
6. Press the spyglass to auto discover motors on the 485 network (may have to press it more than once)
7. Click on the motor you want to program
8. Name the motor
9. Right click on the down limit count
10. Move the shade up or down using the buttons in the popup window
11. Click set to confirm the limit
12. Operate the shade up and then back down to verify the position of the limit

Problem	Possible Cause	Action to Take
For 485		
Shade won't operate.	Motor is not powered.	Have an electrician or approved personnel verify 110v AC to the shade.
	Incorrect or poor cable termination.	Check the wire pinouts and termination. Look for broken, loose, or damaged wires. Rereminate if necessary.
	SIFI is not powered.	To verify the si.fi is powered look for a green LED flashing on the board, this light will either be steady on or flashing. If no light is visible make sure power is available via the bus power supply or PoE.
	SIFI is not on the local network.	Use the service keypad (if available) to validate the 485 network and motors are operating properly before troubleshooting SI.FI network problems. Check that the SIFI is communicating on the local network. Ping the device via the windows command prompt, or make sure the device shows up in the network tab of the Windows File Explorer.
 <p>Please use this QR Code to access the updated installation instructions and related documents.</p>		<p>Technical Support: 512.832.6939 screeninnovations.com</p> <p>Hours of Support: 7:30am - 5pm CST support@screeninnovations.com</p>

NODE IDS

Please keep a note of all the Node IDs on your shade motors. OR for larger shade orders, refer to your Sales Order document for the list.

Room

Shade 1

Shade 2

Shade 3

Shade 4

Shade 5

Shade 6

Room

Shade 1

Shade 2

Shade 3

Shade 4



Screen Innovations

9715-B Burnet Rd, Suite 400 Austin, TX 78758

512.832.6939

www.screeninnovations.com