

# Side & Sill Channels

## Inside Mount

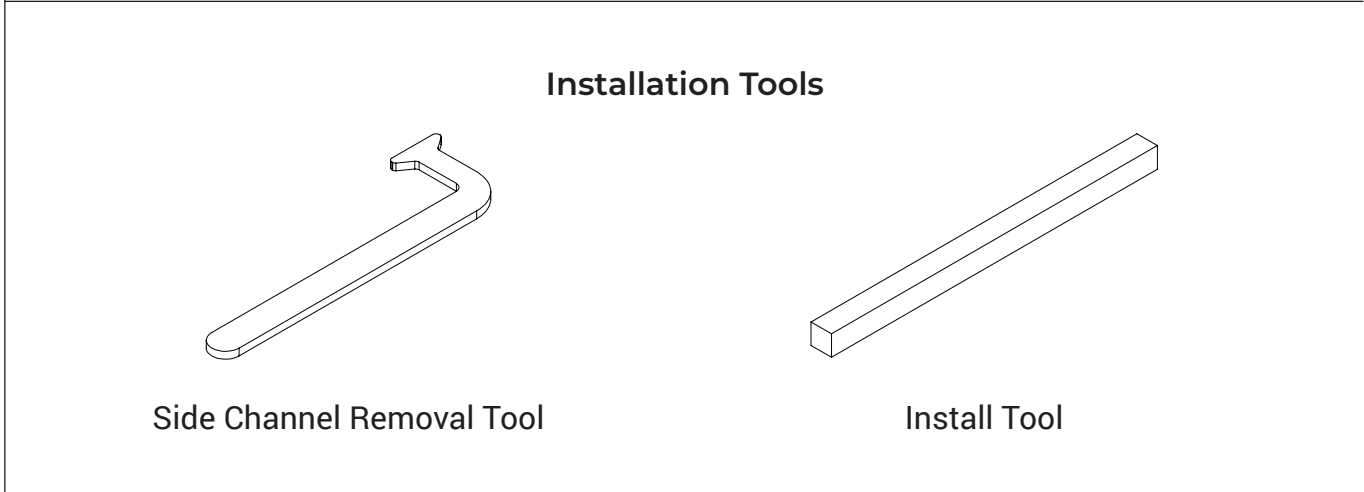
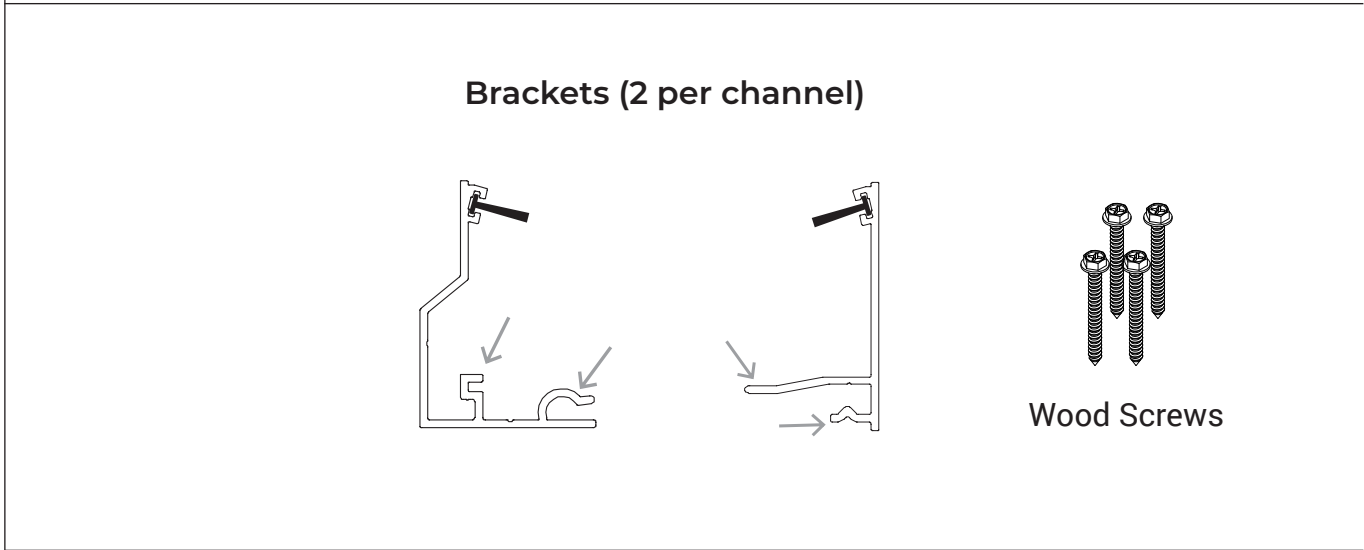
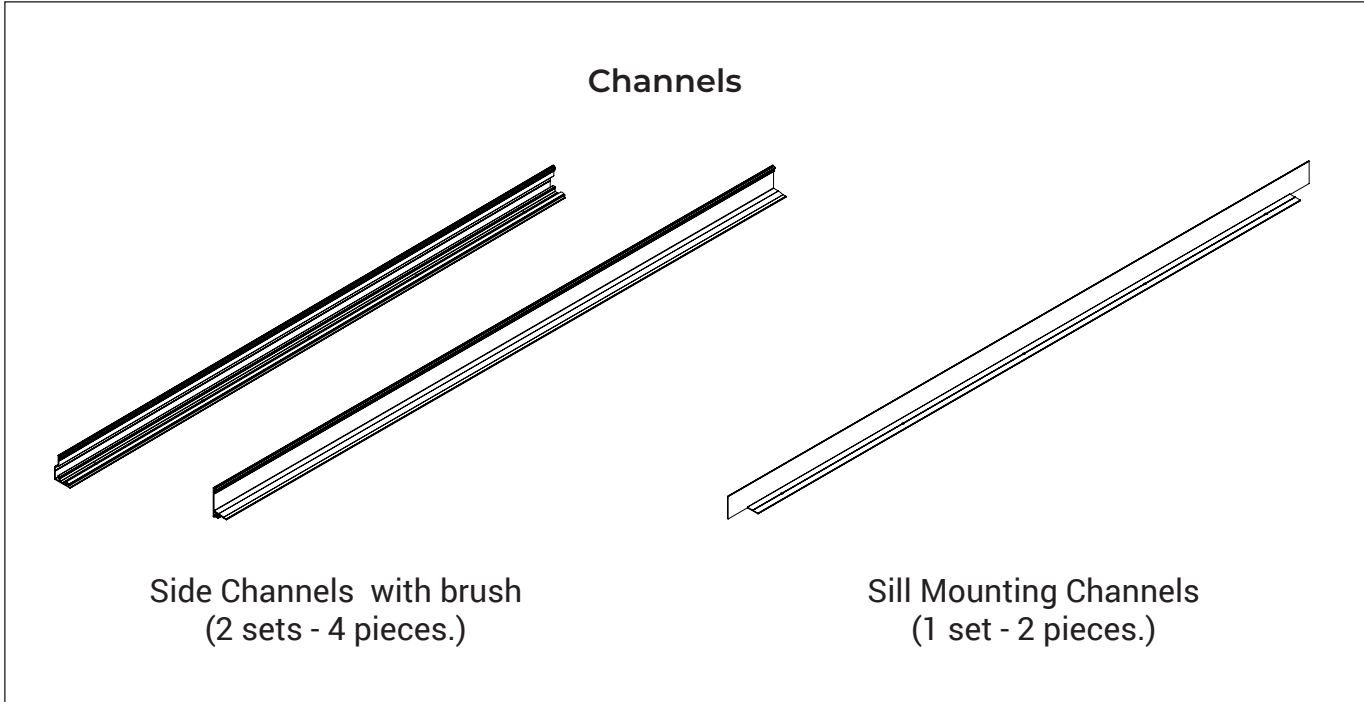
### Installation Instructions



INSTALLERS: Please leave this manual with the owner.

Visit [screeninnovations.com/support](https://screeninnovations.com/support) for assistance, other instructions, videos and more.

# PARTS LIST - Side & Sill Channels (Inside Mounting)

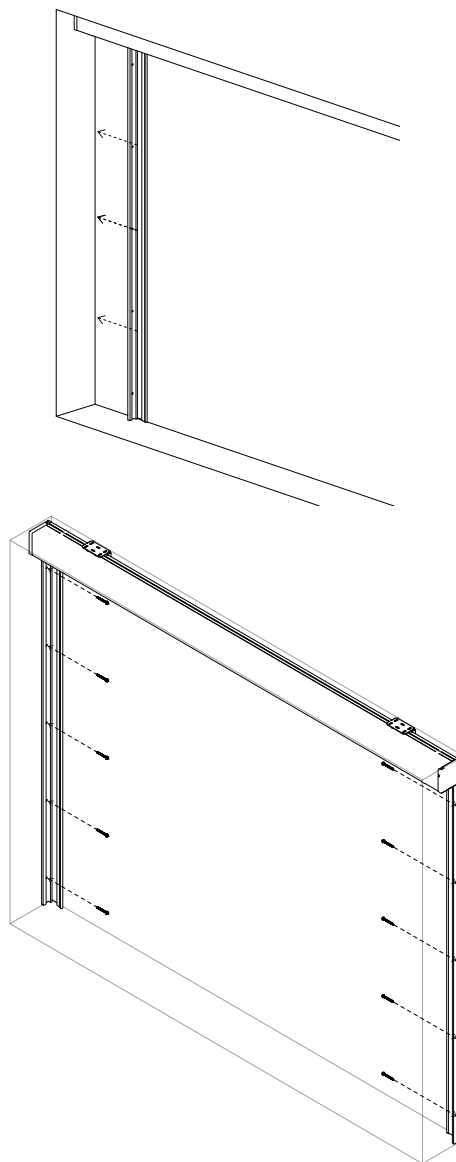


# INSTALLATION - Side Channels (Inside Mounting)

**Note: Install the Nano Box shade prior to installing Side & Sill Channels.**

Predrill holes 3" from each end and add more holes approximately 12" apart over length.  
Side mounting will be used on inside mount installations.

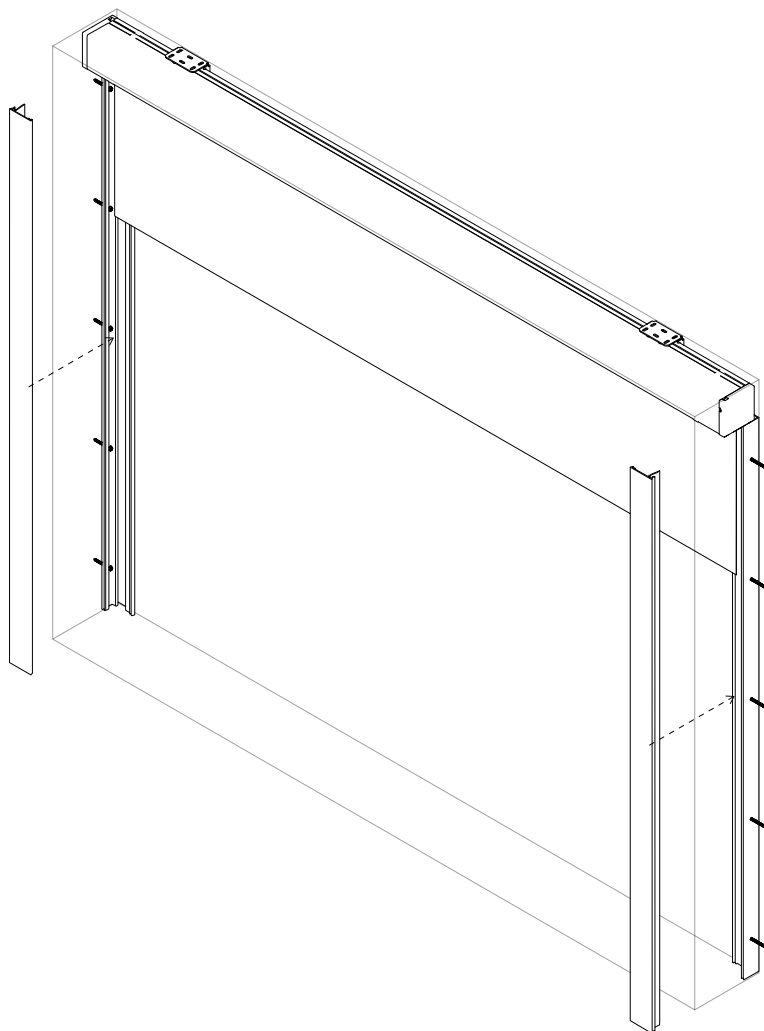
- 1** Slide extrusion up against box shade and secure to wall with included screws in each of the drilled holes. Repeat same for opposite side of the window.



# INSTALLATION - Side Channels (Inside Mounting)

**2** Roll down the shade, checking to ensure the fabric doesn't drag or rub th einside of the channel.

Install the covers.

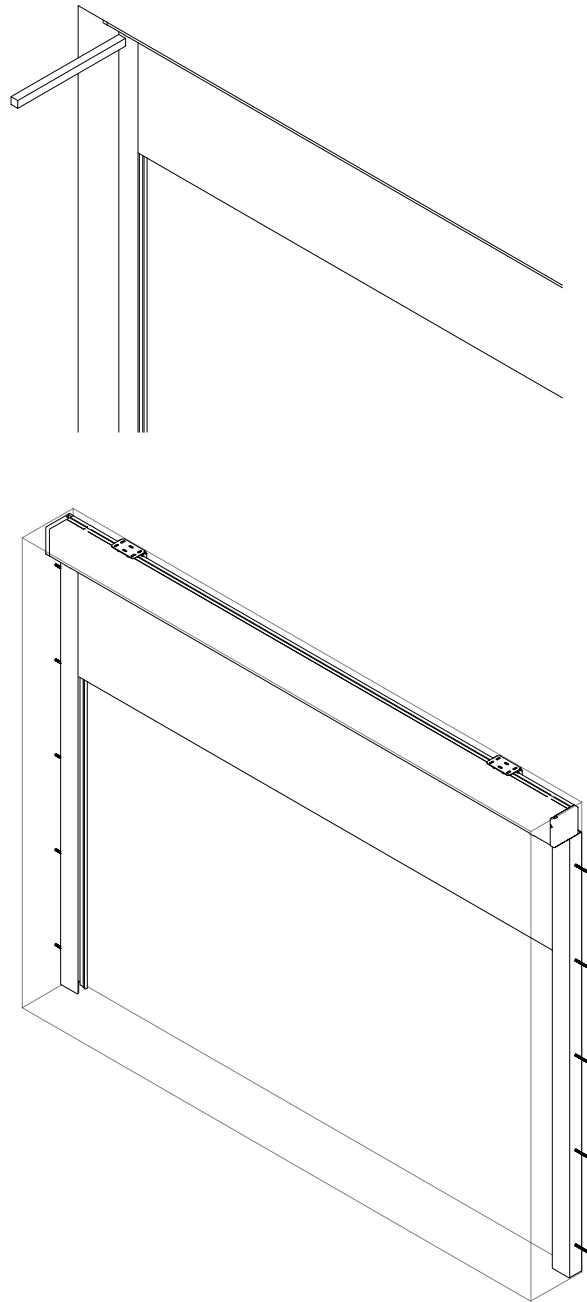


# INSTALLATION - Side Channels (Inside Mounting)

- 3** To secure the covers, use the supplied install tool. Using a mallet, tap the tool to snap the outside extrusion into the mounted extrusion.

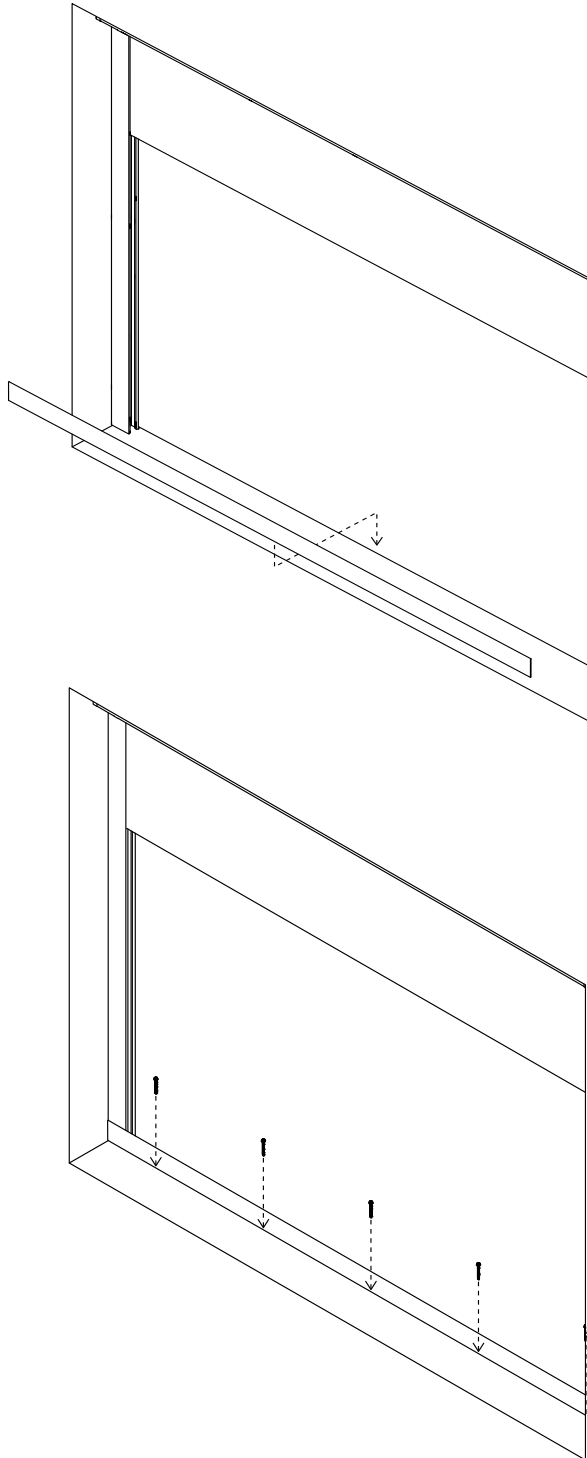
**Note: This could take quite a bit of force.**

Once started work your way down continuing to tap the tool to seat the extrusion  
Repeat for the other side.



# INSTALLATION - Sill Channels (Optional)

- 4** Optional - Install the sill channel at the bottom.  
Secure the channel covers to wall with included screws in each of the drilled holes.



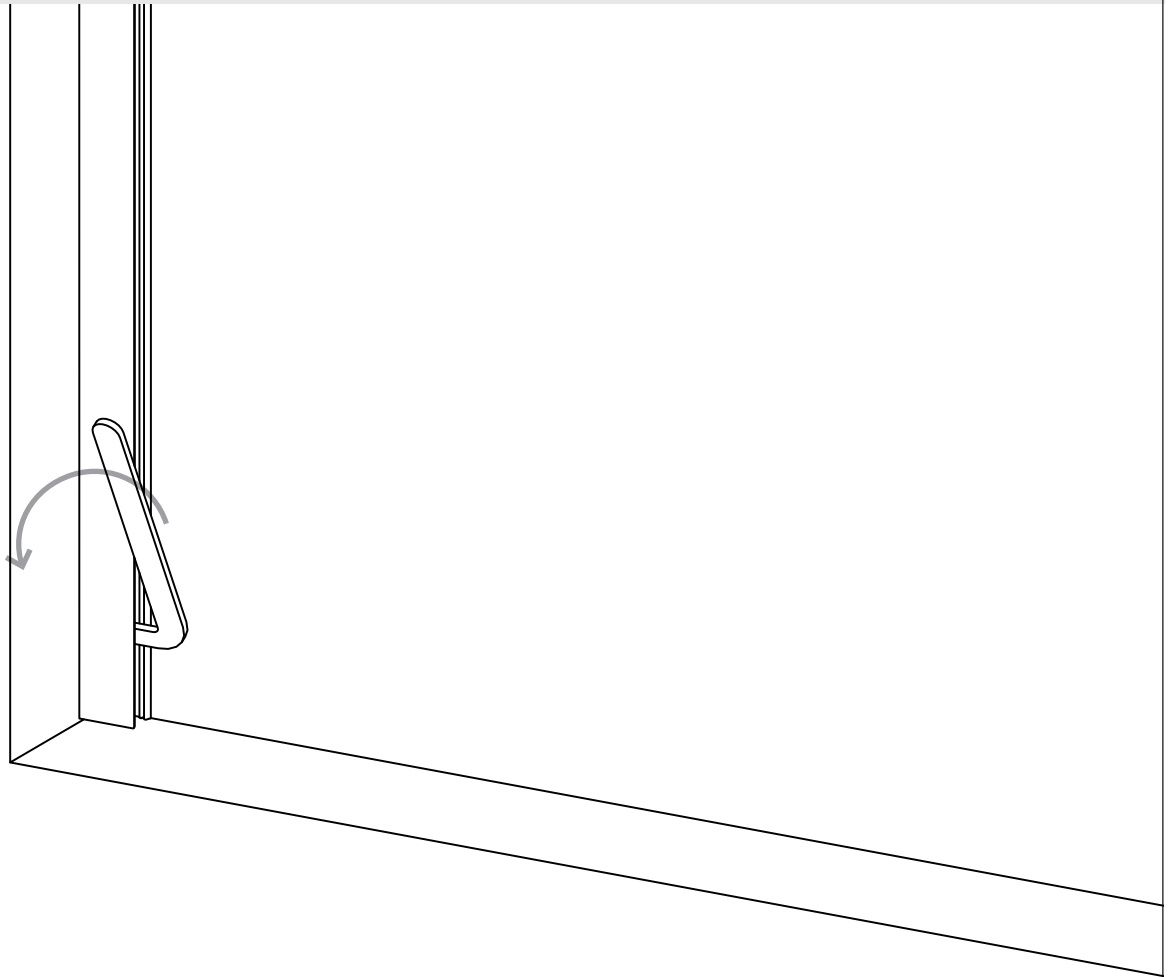
## REMOVAL - Side & Sill Channels (Inside Mounting)

5

If a need arises to remove the extrusion, use the side channel removal tool.

Make sure the shade is rolled up to prevent damage.

Starting at the top or bottom, insert the tool into channel at an angle as shown. Make sure the tool is as far into the channel as possible and pry the channel apart by rotating the tool down. Repeat every few inches until the side channels are fully separated.





**Screen Innovations**

9715-B Burnet Rd, Suite 400 Austin, TX 78758

512.832.6939

[screeninnovations.com](http://screeninnovations.com)