

#43100

Smart Outdoor Plug

Installation Instructions



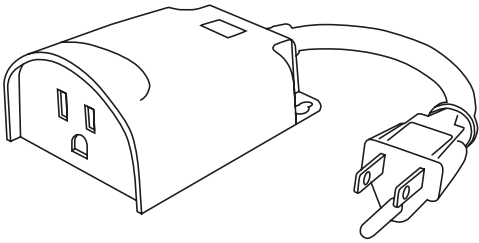
INSTALLERS: Please leave this manual with the owner.



TABLE OF CONTENTS

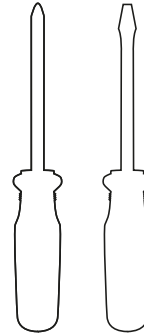
Parts in the Box	1
Getting to know your new new Zigbee device	1
Wiring Installation instructions	2
Basic Operation and Manual Control	2
Wire guage requirements	2
Basic operation	2
Adding your device(s) to the Zigbee network	3
To remove and reset the device from the Zigbee controller	4
To return to factory defaults	4
Troubleshooting	4
Example System Drawing (Ideal Zigbee 3.0 topology).....	5

Parts in the Box



Smart Outdoor Plug, Screws (2), Anchors (2), Installation Instructions .

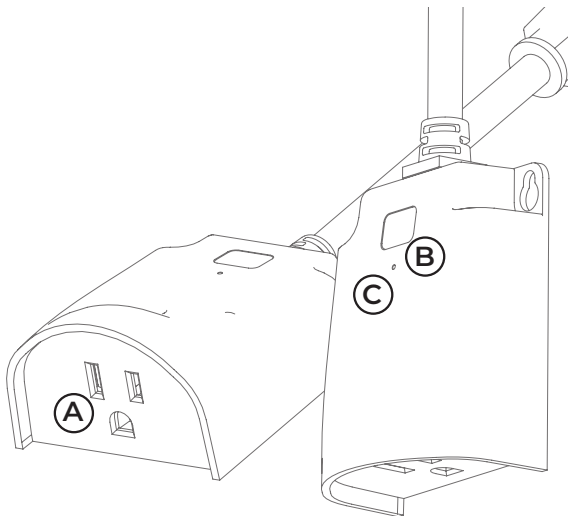
Additional Tools and Parts needed.



Note: Maximum load for the outlet: 600W incandescent, 1800W (15A) resistive or 1/2HP motor

Getting to know your new Zigbee device

1. One Zigbee controlled grounded outlet for lighting & small appliances
2. Remote ON/OFF control via the Zigbee controller
3. Manual ON/OFF control with the manual/program button
4. Grounded 3-wire power connection for safety
5. Weather- and impact-resistant housing; suitable for outdoors in wet or damp conditions



A. Zigbee controlled outlet

This outlet can remotely turn the connected light or appliance ON/OFF

B. Manual/program button

Single press - turn ON/OFF

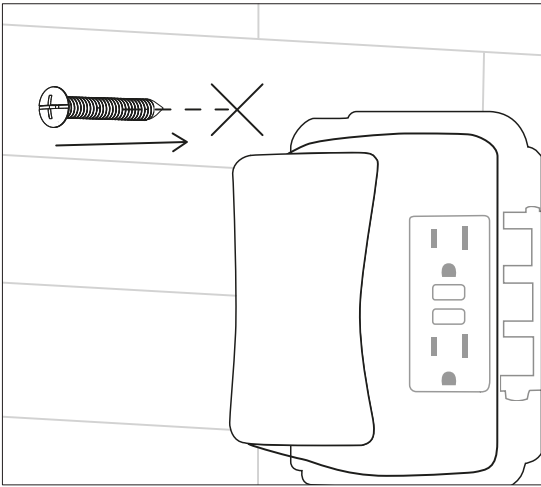
C. Status LED

Press 10 times to cycle through options

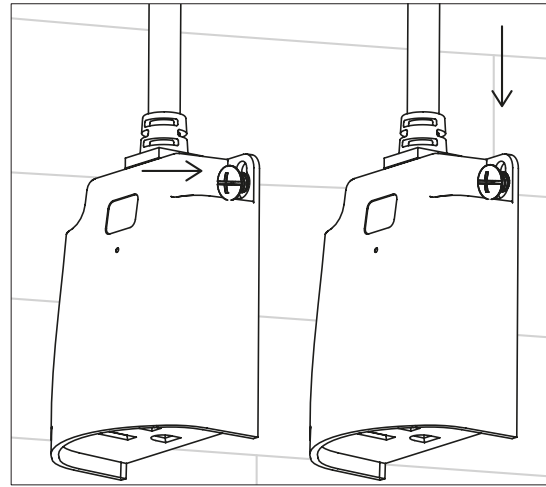
- LED is ON when the load is ON (indicates the switch is ON) (default)
- LED is ON when the load is off (guide light in the dark)
- LED is always OFF

Wiring Installation instructions

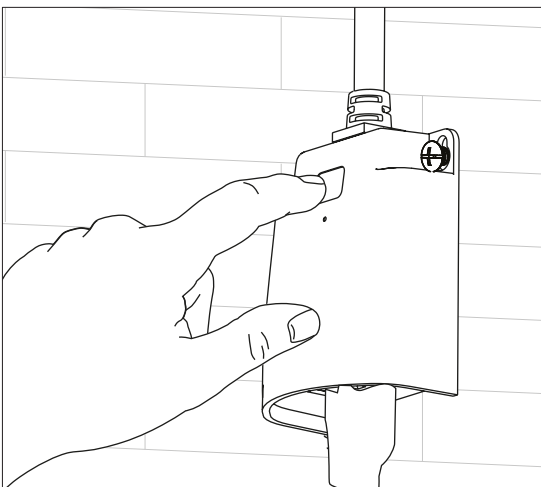
NOTE: This unit is suitable for outdoor use in damp locations. Do not expose to rain or immerse in water. Install at least 3ft. above ground level with the receptacle pointed down. When used outdoors, plug the unit into a GFCI outlet with a receptacle cover rated for outdoor use.



1. Two mounting tabs with screw keyholes are located at the top of this unit. Install the included screw in the desired location leaving 3/16in. of the screw exposed.



2. Align the mounting tab with the screw head, slide the tab over the screw and let the unit drop to lock it in place.



3. The manual/program button on the outdoor switch allows the user to: Turn the connected equipment ON/OFF. If the outdoor switch is OFF, press the button once to turn it ON and vice versa to turn OFF.

NOTE: Plug directly into outlet. Do not use with extension cords.

Basic operation

The connected device can be turned ON/OFF in two ways:

1. Manually from the front panel of the switch.
2. Remotely with a Zigbee controller.

Manual control

The manual/program button allows the user to Turn ON/OFF the connected fixture.

Adding your device(s) to the Zigbee network

NOTE 1: The icon for the Smart Outdoor Plug is a lightbulb. Do not Delete it.

NOTE 2: Internet connectivity is not necessary during the Zigbee pairing process.

Option 1 (Batch Process)

1. Place all the device(s) on a table or within the same room along with LinkPro Z/ TaHoma gateway at min. 7m distance.
2. For each device one at a time, apply temporary power.
3. Use the TaHoma app products menu, choose to add Zigbee product. Scan the QR code located on the bottom of the device on the box.
4. Complete this step by naming the device in the TaHoma app.
NOTE: The name chosen will be used for voice control and in the app.
5. You can now install in the desired location.
6. Apply the steps 2 - 6 again until all the device(s) have been paired with your gateway.

Option 2 (Remote PoE)

1. Install all of the device(s) in the desired locations.
2. Up to a 100m category cable connected from your PoE switch/ injector to your LinkPro Z.
NOTE: This remote commissioning CAT5 cable must be able to reach the furthest shade outside the house, from the PoE switch, which is why you will need a long cable.
3. For each device one at time, move the LinkPro Z to be a min. of 7m.
4. Use the TaHoma app products menu, choose to add Zigbee product. Scan the QR code located on the bottom of the device on the box.
5. Complete this step by naming the device in the TaHoma app.
NOTE: The name chosen will be used for voice control and in the app.
6. Apply the steps 3 - 6 again until all the device(s) have been paired with your gateway.

Option 3 (Remote USB)

1. Install all of the device(s) in the desired locations.
2. Using a USB power bank (sold separately), connect to the USB power cable that is included with TaHoma and connect to the internet with WiFi.
3. For each device one at time, move the TaHoma to be a min. of 7m.
4. Use the TaHoma app products menu, choose to add Zigbee product. Scan the QR code located on the bottom of the device or on the box.
5. Complete this step by naming the device in the TaHoma app.
NOTE: The name chosen will be used for voice control and in the app.
6. Apply the steps 3 - 6 again until all the device(s) have been paired with your gateway.

To remove and reset the device from the Zigbee network

From the Zigbee controller.

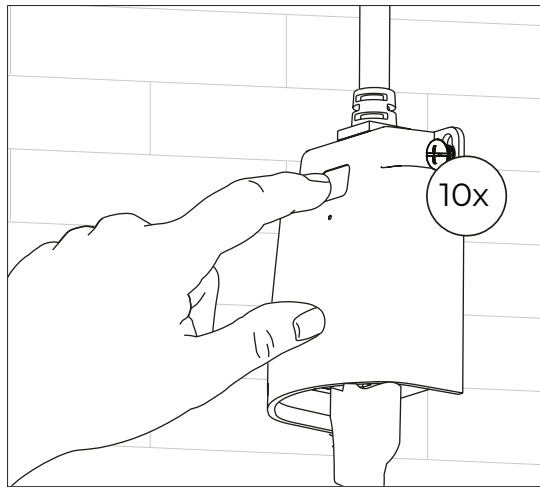
From the TaHoma app, choose to remove or delete the lighting device as instructed. The device will be removed from the Zigbee network following indication from your controller. All configuration parameters will be reset after the device is removed from the network.

Manual

1. Unplug the device from the outlet.
2. Hold down the push button.
3. Plug the device back into the outlet while holding down the push button.
4. Release button after the device is plugged in.

To return to factory defaults

Press the ON button quickly 10 times.

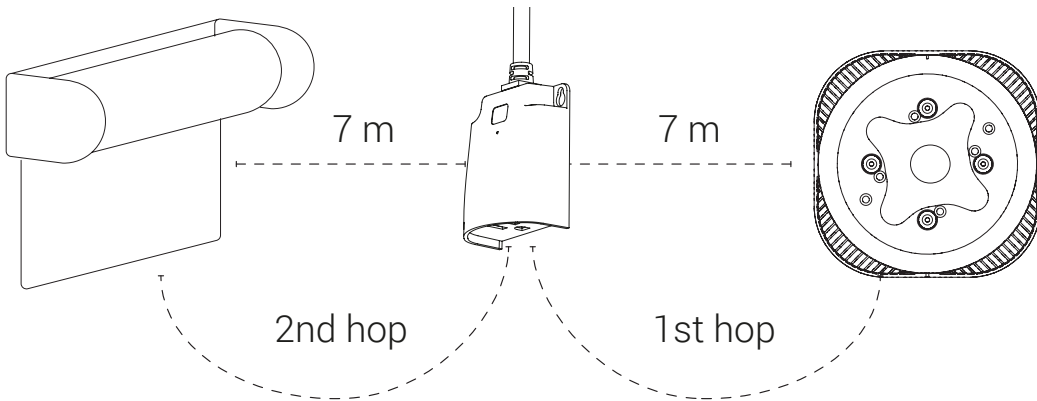


NOTE: If you want to now add this back to your Zigbee network, refer to Pg. 3, on how to add a device.

Troubleshooting

Problem	Probable cause	Action to take
Outdoor plug shows up in TaHoma app as a lightbulb.	This is due to most users connect lighting sources such as lamp.	No action required, this is the normal state. Do not remove from app/you will delete the outlet from your system.

Example System Drawing (Ideal Zigbee 3.0 topology)



NOTE: Each Zigbee node should be within 7m of each other and a maximum of 7 hops from any end point to a mesh controller.



Screen Innovations

9715-B Burnet Rd, Suite 400 Austin, TX 78758

512.832.6939

www.screeninnovations.com