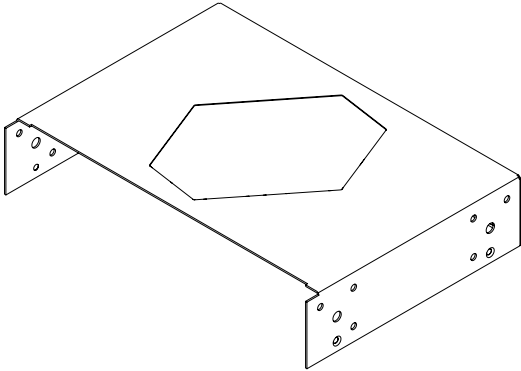


## Parts in the Box



Janus Plenum Rated Top

## Before getting started

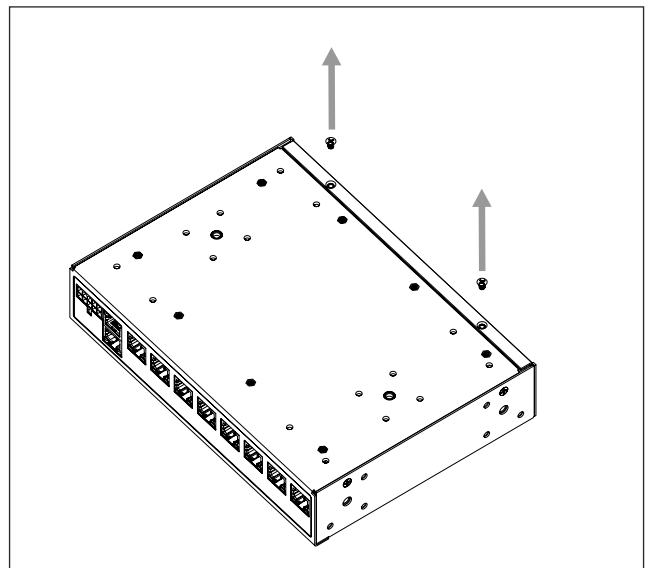
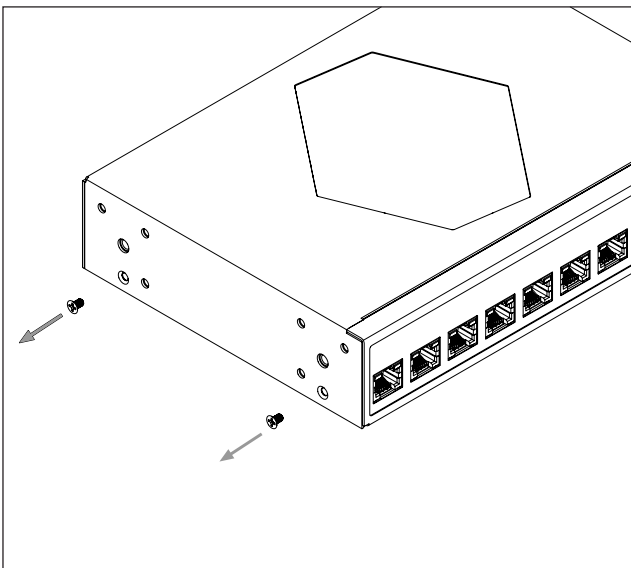
Always work on a clean soft surface (such as foam or a clean microfiber towel) to prevent damage to the Janus unit

It is recommended to wear rubber gloves to protect the enclosure and PCB from fingerprints

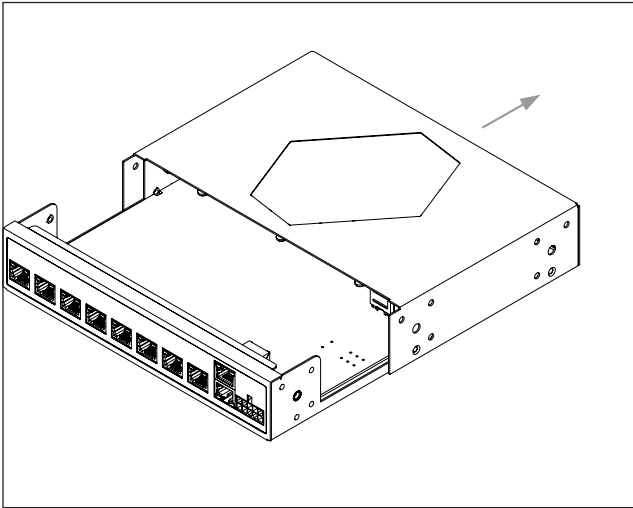
The printed circuit board (PCB) has components that can be damaged easily. Be very careful when handling the Janus unit during this process and avoid touching the PCB.

The enclosure screws must be fastened by hand with a #1 Phillips screwdriver only. Do not use power tools to remove or reinstall these screws.

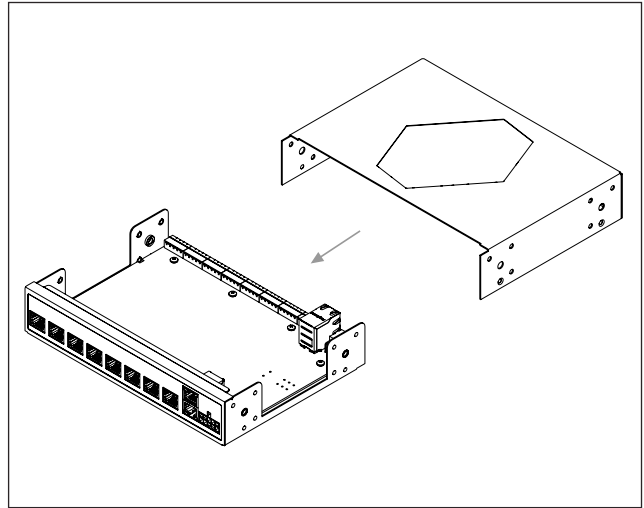
1. Use a #1 Phillips screwdriver to remove the 6 enclosure screws (2 on each side, 2 on the bottom).



2. Carefully slide standard enclosure top off Janus unit. Perform this step slowly and avoid touching the PCB.



3. Carefully slide plenum rated enclosure top onto Janus unit. Perform this step slowly and avoid touching the PCB.



4. Use a #1 Phillips screwdriver to reinstall the 6 enclosure screws. These screws should be hand tight only, do not overtighten.

