



Zero-GTM Screens

Levitating motorized screen



ZERO-G (Flush Mount)

Think rollable television

ZERO-G

Min: 80" (2032mm), Max: 160" (4064mm)

Features and Benefits

Re-imagines standard motorized screens and deploys a “levitating” image exactly where you want it.

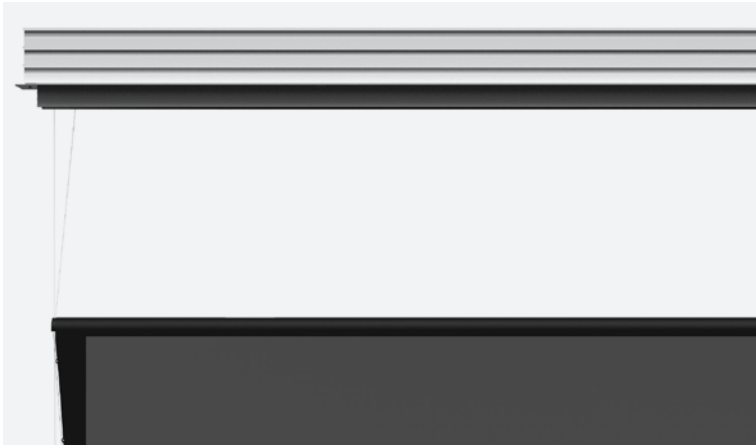
- Levitating motorized screen
- Can be deployed in places where a rigid TV cannot
- All screens come with Wall Switch, IR Remote, and Low Voltage Trigger
- Minimum drop of 6 inches. Maximum drop of 15.8' depending on screen size
- Removable upper motor lift tube with single pin release
- PCB is slide removable from the case
- Screen surface is tab-tensioned
- Material roll pre-installed from the factory
- Automatic upper limit by optical sensor
- Available in flush (in-ceiling) or external (wall) mount options

Power and Control

Wired integration and control

- Contact closure*
- 12v trigger
- IR

Levitating Motorized Screen



Think Rollable Television®. Zero-G re-imagines standard motorized screens and deploys a “levitating” image exactly where you want it.

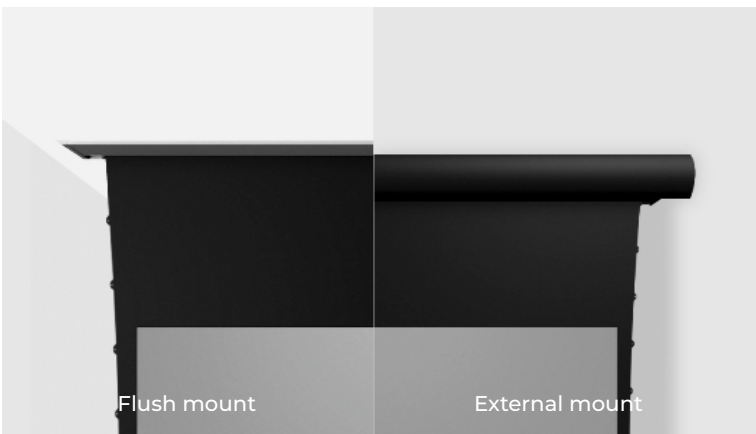
Cord color options



With our 5 cord color options, you can match Zero-G to your wall color to make it stand out !



Mounting/ Case Options



- Flush (in-ceiling) or external (wall) configuration.
- Black or white color options for external case.
- Top side recessed electrical control cable access.
- Optional separated shipping for case and material roll/motor assembly.
- Safety clips on external fascia

Drop



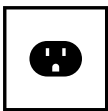
- Maximum Drop: 15.8' (4816 mm)
- Maximum drop is dependent upon the diagonal

Simple Design



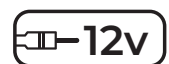
Zero-G is simple and smooth with features such as removable PCB and lift tubes, pre-programmed doors (flush unit only), and automatic upper limits.

Power & Control



110v AC / 220v AC

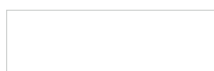
Powerful and quiet, our motors handle screens up to 160" diagonal. Options for control include 12v Trigger, IR and Dry Contact.



Screen Material Options



Slate 1.2



Pure White 1.3



360 Rear-Pro



Slate AT 1.2



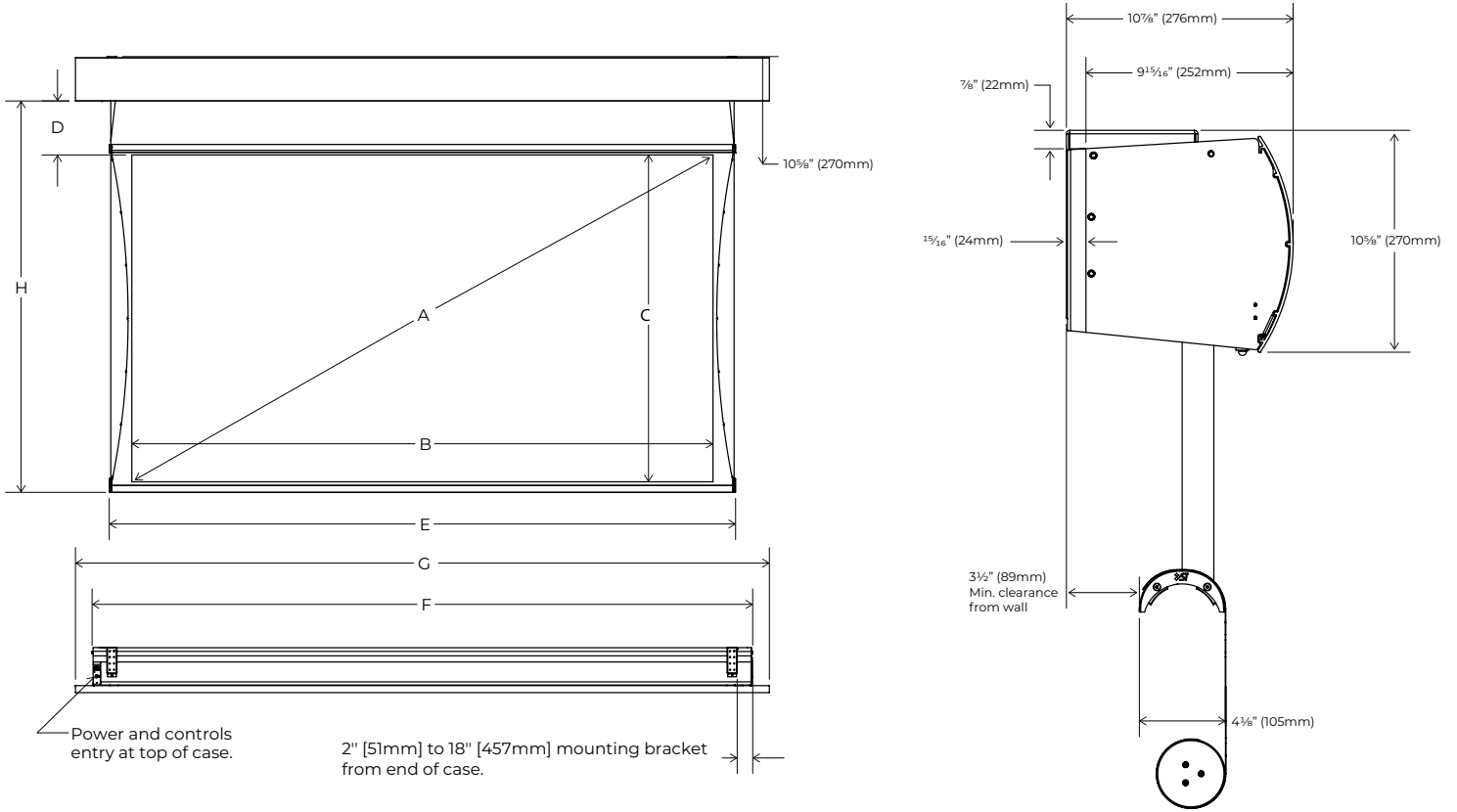
Pure Gray .85



Unity 1.0

Zero-G offers many screen material options including high performance ALR materials like Slate 1.2 to achieve high contrast images.

Screen Sizes and Measurements (External Mount)



Screen Sizes and Measurements (External Mount)

Theater HDTV (16:9) Format Dimensions

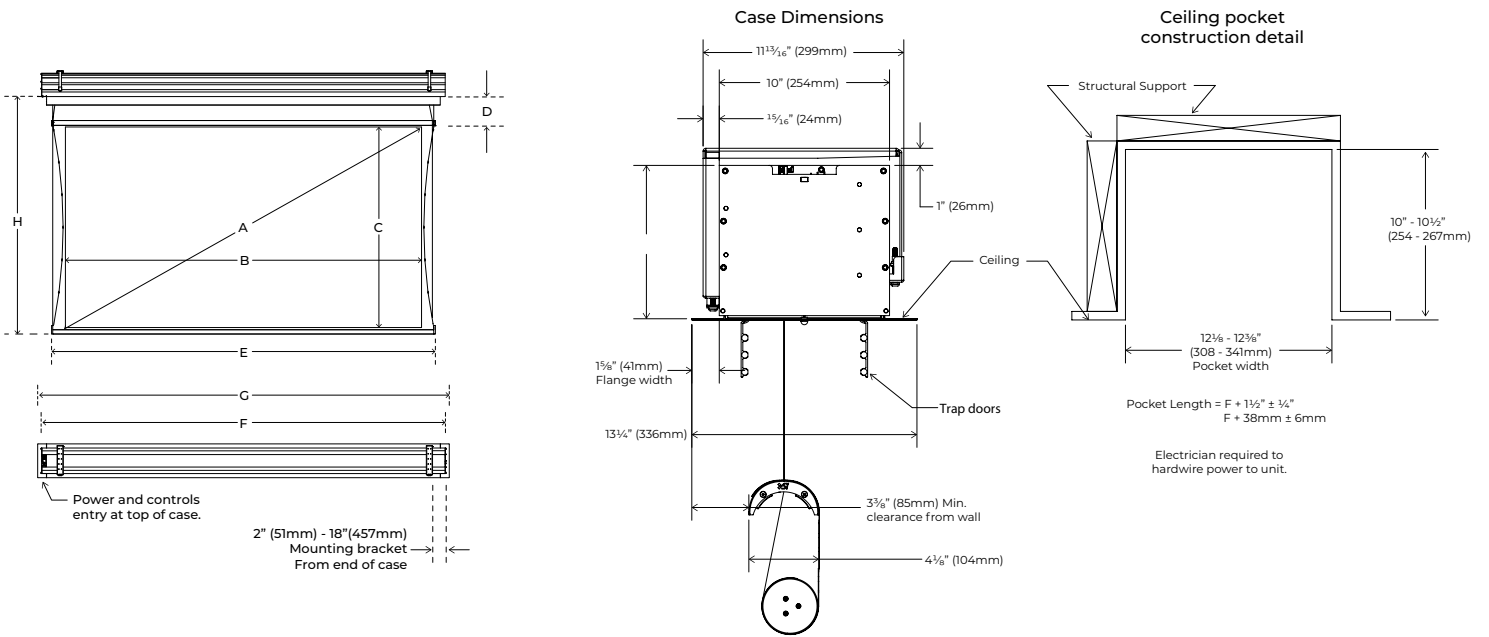
| Viewing Area H x W (C X B) | | Standard Diagonal (A) | | Overall Case Length (F) | | Overall Flange Length (G) | | Approx. Ship. Wt. | |
|----------------------------|---------------|-----------------------|-------|-------------------------|-------|---------------------------|-------|-------------------|----|
| In. | mm | In. | mm | In. | mm | In. | mm | Lbs. | Kg |
| 39.25" X 69.75" | 997 X 1,772 | 80" | 2,032 | 82.75" | 2,102 | 90.75" | 2,305 | 117 | 53 |
| 45.125" X 80.188" | 1,146 X 2,037 | 92" | 2,337 | 93.875" | 2,384 | 101.875" | 2,588 | 129 | 59 |
| 49" X 87.188" | 1,245 X 2,215 | 100" | 2,540 | 101.313" | 2,573 | 109.313" | 2,777 | 137 | 62 |
| 51.938" X 92.375" | 1,319 X 2,346 | 106" | 2,692 | 106.938" | 2,716 | 114.938" | 2,919 | 143 | 65 |
| 53.938" X 95.875" | 1,370 X 2,435 | 110" | 2,794 | 110.688" | 2,811 | 118.688" | 3,015 | 147 | 67 |
| 58.813" X 104.563" | 1,494 X 2,656 | 120" | 3,048 | 120.125" | 3,051 | 128.125" | 3,254 | 157 | 71 |
| 65.188" X 115.938" | 1,656 X 2,945 | 133" | 3,378 | 132.5" | 3,366 | 140.5" | 3,569 | 171 | 78 |
| 78.438" X 139.438" | 1,992 X 3,542 | 160" | 4,064 | 158.5" | 4,026 | 166.5" | 4,229 | 199 | 90 |

Wide (16:10) Format Dimensions

| Viewing Area H x W (C X B) | | Standard Diagonal (A) | | Overall Case Length (F) | | Overall Flange Length (G) | | Approx. Ship. Wt. | |
|----------------------------|---------------|-----------------------|-------|-------------------------|-------|---------------------------|-------|-------------------|----|
| In. | mm | In. | mm | In. | mm | In. | mm | Lbs. | Kg |
| 42.375" X 67.813" | 1,076 X 1,722 | 80" | 2,032 | 81.188" | 2,062 | 89.188" | 2,265 | 116 | 53 |
| 48.75" X 78" | 1,238 X 1,981 | 92" | 2,337 | 92.125" | 2,340 | 100.125" | 2,543 | 128 | 58 |
| 53" X 84.813" | 1,346 X 2,154 | 100" | 2,540 | 99.438" | 2,526 | 107.438" | 2,729 | 135 | 61 |
| 56.188" X 89.875" | 1,427 X 2,283 | 106" | 2,692 | 105" | 2,667 | 113" | 2,870 | 141 | 64 |
| 58.313" X 93.25" | 1,481 X 2,369 | 110" | 2,794 | 108.688" | 2,761 | 116.688" | 2,964 | 145 | 66 |
| 63.625" X 101.75" | 1,616 X 2,584 | 120" | 3,048 | 118" | 2,997 | 126" | 3,200 | 155 | 70 |
| 70.5" X 112.813" | 1,791 X 2,865 | 133" | 3,378 | 130.25" | 3,308 | 138.25" | 3,512 | 169 | 77 |
| 78.438" X 125.5" | 1,992 X 3,188 | 148" | 3,759 | 144.5" | 3,670 | 152.5" | 3,874 | 184 | 83 |

**Note: The Drop (D) MIN = 12" [152mm] & MAX is 15.8' depending on screen size.
Drop is set at installation and can be set to any dimension between the min and max.**

Screen Sizes and Measurements (Flush Mount)



Screen Sizes and Measurements (Flush Mount)

Theater HDTV (16:9) Format Dimensions

| Viewing Area H x W (C X B) | | Standard Diagonal (A) | | Overall Case Length (F) | | Overall Flange Length (G) | | Approx. Ship. Wt. | |
|----------------------------|---------------|-----------------------|-------|-------------------------|-------|---------------------------|-------|-------------------|-----|
| In. | mm | In. | mm | In. | mm | In. | mm | Lbs. | Kg |
| 39.25" X 69.75" | 997 X 1,772 | 80" | 2,032 | 82.75" | 2,102 | 85.405" | 2,169 | 144 | 65 |
| 45.125" X 80.188" | 1,146 X 2,037 | 92" | 2,337 | 93.875" | 2,384 | 96.53" | 2,452 | 159 | 72 |
| 49" X 87.188" | 1,245 X 2,215 | 100" | 2,540 | 101.313" | 2,573 | 103.968" | 2,641 | 169 | 77 |
| 51.938" X 92.375" | 1,319 X 2,346 | 106" | 2,692 | 106.938" | 2,716 | 109.593" | 2,784 | 176 | 80 |
| 53.938" X 95.875" | 1,370 X 2,435 | 110" | 2,794 | 110.688" | 2,811 | 113.343" | 2,879 | 181 | 82 |
| 58.813" X 104.563" | 1,494 X 2,656 | 120" | 3,048 | 120.125" | 3,051 | 122.78" | 3,119 | 194 | 88 |
| 65.188" X 115.938" | 1,656 X 2,945 | 133" | 3,378 | 132.5" | 3,366 | 135.155" | 3,433 | 211 | 96 |
| 78.438" X 139.438" | 1,992 X 3,542 | 160" | 4,064 | 158.5" | 4,026 | 161.155" | 4,093 | 246 | 112 |

Wide (16:10) Format Dimensions

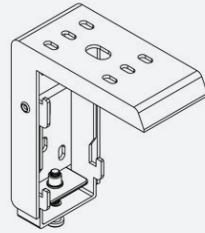
| Viewing Area H x W (C X B) | | Standard Diagonal (A) | | Overall Case Length (F) | | Overall Flange Length (G) | | Approx. Ship. Wt. | |
|----------------------------|---------------|-----------------------|-------|-------------------------|-------|---------------------------|-------|-------------------|-----|
| In. | mm | In. | mm | In. | mm | In. | mm | Lbs. | Kg |
| 42.375" X 67.813" | 1,076 X 1,722 | 80" | 2,032 | 81.188" | 2,062 | 83.843" | 2,130 | 142 | 64 |
| 48.75" X 78" | 1,238 X 1,981 | 92" | 2,337 | 92.125" | 2,340 | 94.78" | 2,407 | 156 | 71 |
| 53" X 84.813" | 1,346 X 2,154 | 100" | 2,540 | 99.438" | 2,526 | 102.093" | 2,593 | 166 | 75 |
| 56.188" X 89.875" | 1,427 X 2,283 | 106" | 2,692 | 105" | 2,667 | 107.655" | 2,734 | 174 | 79 |
| 58.313" X 93.25" | 1,481 X 2,369 | 110" | 2,794 | 108.688" | 2,761 | 111.343" | 2,828 | 179 | 81 |
| 63.625" X 101.75" | 1,616 X 2,584 | 120" | 3,048 | 118" | 2,997 | 120.655" | 3,065 | 192 | 87 |
| 70.5" X 112.813" | 1,791 X 2,865 | 133" | 3,378 | 130.25" | 3,308 | 132.905" | 3,376 | 208 | 94 |
| 78.438" X 125.5" | 1,992 X 3,188 | 148" | 3,759 | 144.5" | 3,670 | 147.155" | 3,738 | 228 | 103 |

**Note: The Drop (D) MIN = 12" [152mm] & MAX is 15.8' depending on screen size.
Drop is set at installation and can be set to any dimension between the min and max.**

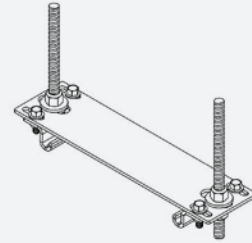
Accessories



SI IR Receiver & Remote



L Bracket (in-wall/on-ceiling)



Suspended Ceiling Bracket
(threaded rod attachment)

Aspect Ratio

16:9 | 16:10

Passed third party fire performance evaluation in accordance with underwriters laboratories (UL) 2043-13, fire test for heat and visible smoke release for discrete products and their accessories installed in air-handling spaces



Screen Innovations®
9715-B Burnet Rd, Suite 400 Austin, TX 78758
512.832.6939
www.screeninnovations.com
sales@screeninnovations.com